

TWELVE-CHANNEL E3/DS3/STS-1 LINE INTERFACE UNIT WITH JITTER ATTENUATOR

APRIL 2002

REV. P1.0.0

GENERAL DESCRIPTION

The XRT75L12 is a Twelve-Channel fully integrated Line Interface Unit (LIU) and Jitter Attenuator for E3/DS3/STS-1 applications. It incorporates twelve independent Receivers, Transmitters and Jitter Attenuators in a single 432-ball TBGA package.

Each channel of the XRT75L12 can be independently configured to operate in E3 (34.368 MHz), DS3 (44.736 MHz) or STS-1 (51.84 MHz) rates. Each transmitter can be turned off and tri-stated for redundancy support and power conservation.

The XRT75L12's differential receiver provides high noise interference margin and is able to receive the data over 1000 feet of cable, or with cable attenuation of up to 12 dB.

The XRT75L12 incorporates an advanced Crystal-Less jitter attenuator in each channel, that can be selected in the transmit or receive path. The Jitter Attenuator performance meets the ETSI TBR-24 and Bellcore GR-499 specifications.

The XRT75L12 provides ParallelMicroprocessor Interface for programming and control.

The XRT75L12 supports local, remote and digital loop-backs. The XRT75L12 also contains an on-board Pseudo Random Binary Sequence (PRBS) generator and detector with the ability to insert and detect single bit error.

FEATURES**Receiver:**

- On chip Clock and Data Recovery circuit for high input jitter tolerance
- Meets E3/DS3/STS-1 Jitter Tolerance Requirements.
- Detects and Clears LOS as per G.775
- Receiver Monitor mode handles up to 20 dB flat loss with 6 dB cable attenuation
- On chip B3ZS/HDB3 encoder and decoder that can be either enabled or disabled
- On-chip Clock Synthesizer generates the appropriate rate clock from a single frequency Crystal
- Provides low jitter clock outputs for either E3, DS3 or STS-1 rates

- Meets Jitter Tolerance Requirements, as specified in ITU-T G.823_1993 for E3 Applications
- Meets Jitter Tolerance Requirements, as specified in Bellcore GR-499-CORE for DS3 Applications

Transmitter:

- Compliant with Bellcore GR-499, GR-253 and ANSI T1.102 Specification for transmit pulse
- Tri-state Transmit output capability for redundancy applications
- Transmitter can be turned on or off

Jitter Attenuator:

- On chip advanced crystal-less Jitter Attenuator
- Jitter Attenuators can be selected in Receive or Transmit paths.
- Compliant with jitter transfer template outlined in ITU G.751, G.752, G.755, GR-253 and GR-499-CORE, 1995 standards.
- Meets ETSI TBR 24 Jitter Transfer Requirements.
- 16 or 32 bits selectable FIFO size.
- Meets the Jitter and Wander specifications described in ANSI T1.105.03b.
- Jitter Attenuators can be disabled.

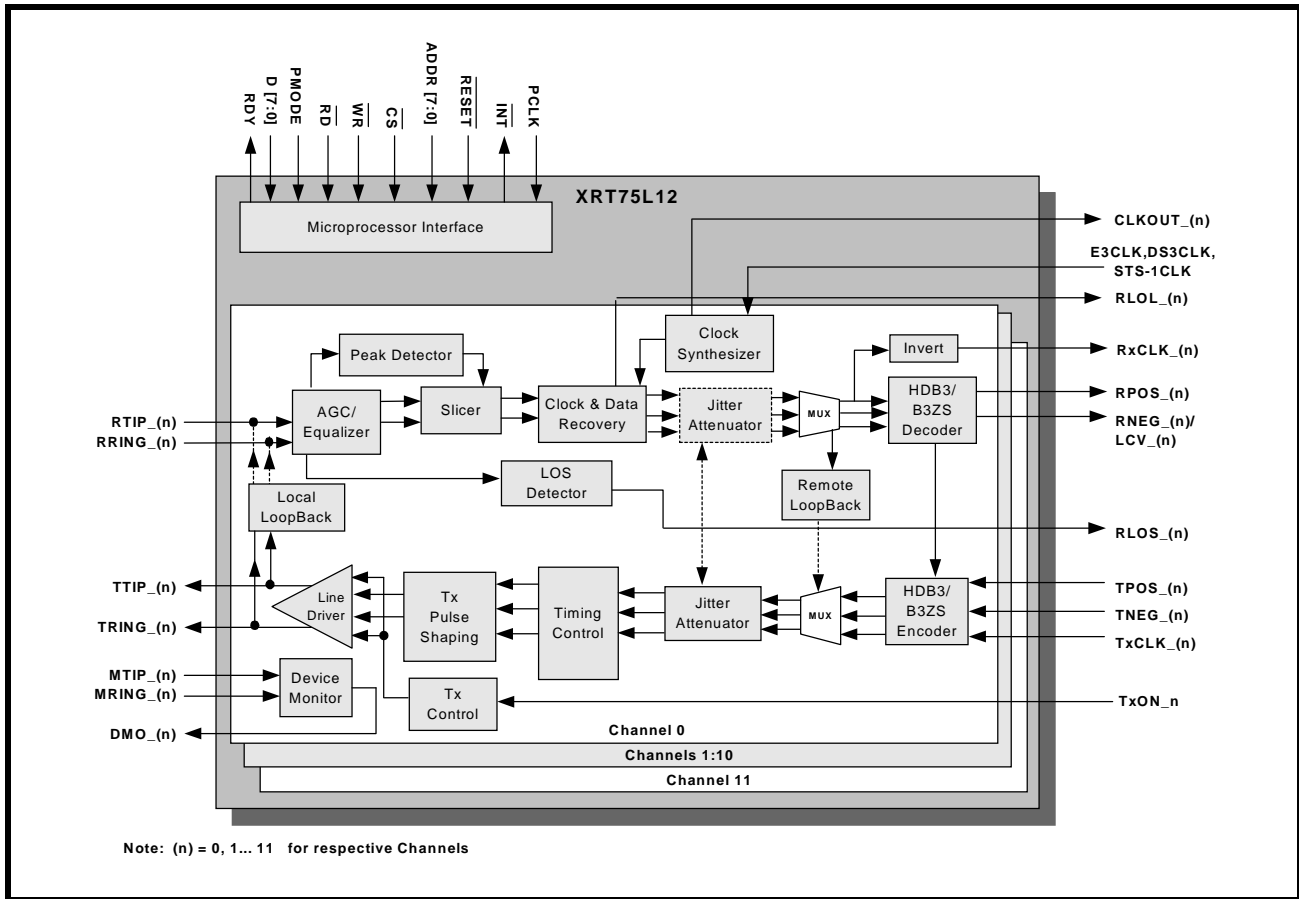
Control and Diagnostics:

- Parallel Microprocessor Interface for control and configuration
- Supports optional internal Transmit Driver Monitoring
- PRBS Error Counter Register to accumulate errors
- Hardware Mode for control and configuration
- Supports Local, Remote and Digital Loop-backs
- Single 3.3 V \pm 5% power supply
- 5 V Tolerant I/O
- Available in 432-ball TBGA
- -40°C to 85°C Industrial Temperature Range

APPLICATIONS

- E3/DS3 Access Equipment
- STS1-SPE to DS3 Mapper
- DSLAMs
- Digital Cross Connect Systems
- CSU/DSU Equipment
- Routers
- Fiber Optic Terminals

FIGURE 1. BLOCK DIAGRAM OF THE XRT75L12



Transmit Interface Characteristics

- Accepts either Single-Rail or Dual-Rail data from Terminal Equipment and generates a bipolar signal to the line
- Integrated Pulse Shaping Circuit
- Built-in B3ZS/HDB3 Encoder (which can be disabled)
- Accepts Transmit Clock with duty cycle of 30%-70%
- Generates pulses that comply with the ITU-T G.703 pulse template for E3 applications
- Generates pulses that comply with the DSX-3 pulse template, as specified in Bellcore GR-499-CORE and ANSI T1.102_1993
- Generates pulses that comply with the STSX-1 pulse template, as specified in Bellcore GR-253-CORE

- Transmitter can be turned off in order to support redundancy designs

Receive Interface Characteristics

- Integrated Adaptive Receive Equalization for optimal Clock and Data Recovery
- Declares and Clears the LOS defect per ITU-T G.775 requirements for E3 and DS3 applications
- Declares Loss of Signal (LOS) and Loss of Lock (LOL) Alarms
- Built-in B3ZS/HDB3 Decoder (which can be disabled)
- Recovered Data can be muted while the LOS Condition is declared
- Outputs either Single-Rail or Dual-Rail data to the Terminal Equipment

ORDERING INFORMATION

PART NUMBER	PACKAGE	OPERATING TEMPERATURE RANGE
XRT75L12IB	432-ball TBGA	-40°C to +85°C