

DESCRIPTION

The ST78C34 is a monolithic Bidirectional Parallel port designed to operate as a general purpose I/O port. It contains all the necessary input/output signals to be configured as a CENTRONICS printer port.

The ST78C34 is a general purpose input/output controller with 83 byte internal FIFO. FIFO operation can be enabled or disabled. For CENTRONICS printer operation, all registers are mapped to IBM printer port registers.

The ST78C34 is designed to operate as normal printer interface without any additional settings. Contents of the FIFO will be cleared after reset or setting the INIT pin to a low state. The auto FIFO operation starts after the first -ACK is received from the printer. Contents of the FIFO transfer to the printer at the printer loading speed.

FEATURES

- 83 bytes of printer output FIFO
- Bi-directional software parallel port
- Bi-directional I/O ports
- Register compatible to IBM XT, AT, compatible 386, 486
- Selectable interrupt polarity
- Selectable FIFO interrupts

ORDERING INFORMATION

Part number	Pin	Package	Operating temperature
ST78C34CJ44	44	PLCC	0° C to + 70° C
ST78C34CP40	40	PDip	0° C to + 70° C
ST78C34IJ44	44	PLCC	-40° C to + 85° C
ST78C34IP40	40	PDip	-40° C to + 85° C

PLCC Package

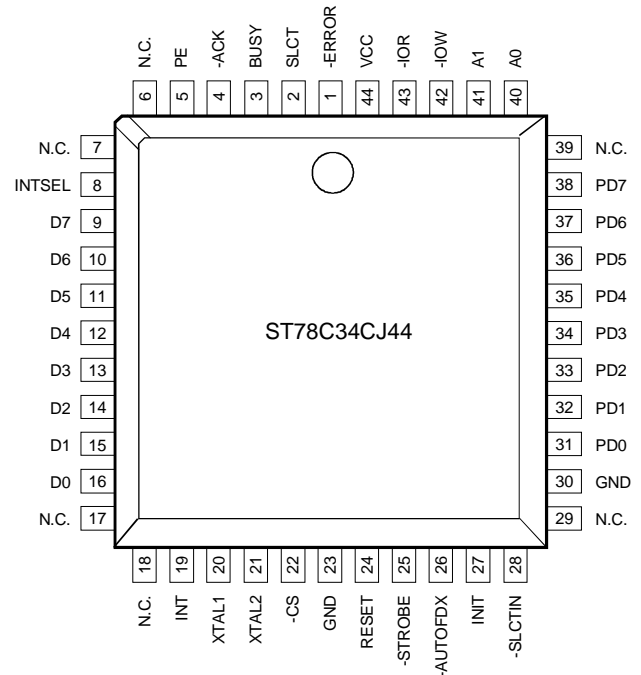


Figure 1, PACKAGE DESCRIPTION, ST78C34

Plastic-DIP Package

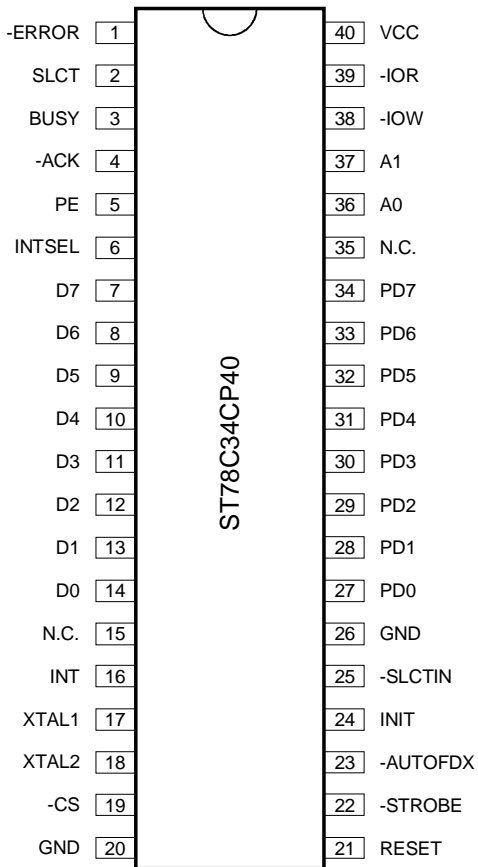
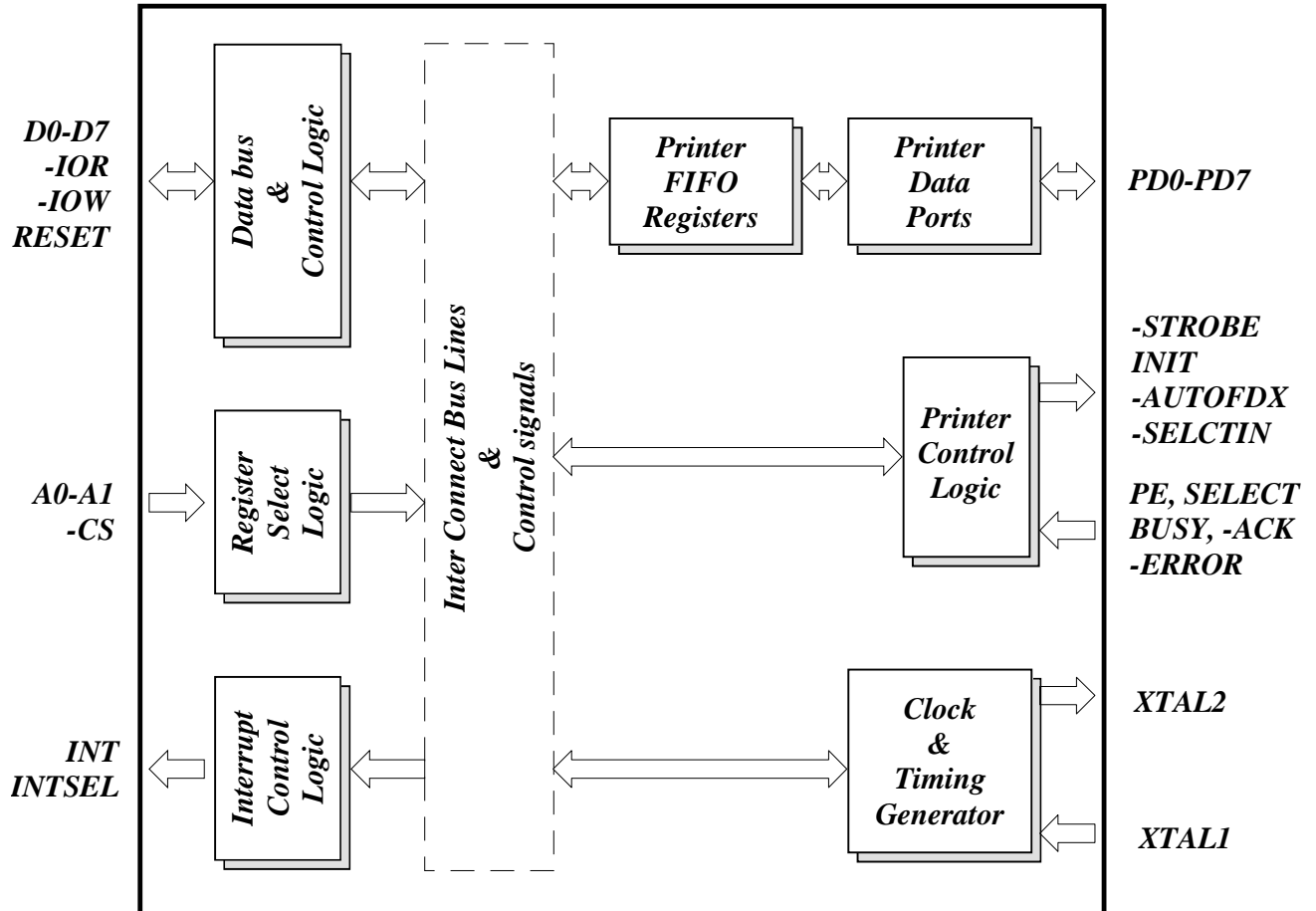


Figure 2, BLOCK DIAGRAM



SYMBOL DESCRIPTION

Symbol	Pin		Signal type	Pin Description
	40	44		
-ERROR	1	1	I	General purpose input or line printer error (active low, with internal pull-up). This is an output from the printer to indicate an error by holding it low during error condition.
SLCT	2	2	I	General purpose input or line printer selected (active high, with internal pull-up). This is an output from the printer to indicate that the line printer has been selected.
BUSY	3	3	I	General purpose input or line printer busy (active high, with internal pull-up). An output from the printer to indicate printer is not ready to accept data.
-ACK	4	4	I	General purpose input or line printer acknowledge (active low, with internal pull-up). An output from the printer to indicate that data has been accepted successfully.
PE	5	5	I	General purpose input or line printer paper empty (active high, with internal pull-up). An output from the printer to indicate out of paper.
INTSEL	6	8	I	Interrupt select mode. The external -ACK can be selected as an interrupt source by connecting this pin to the VCC or left open. Connecting this pin to GND will set the interrupt to latched mode, reading the status register resets the INT output.
D0-D7	14-7	16-9	I/O	Bi-directional data bus. Eight bit, three state data bus to transfer information to or from the CPU. D0 is the least significant bit of the data bus.
INT	16	19	O	Interrupt output (selectable active low or high). To signal the state of the printer port. This pin tracks the -ACK input pin, When -ACK is low INT is low and when -ACK is high INT is high if selected as active low interrupt.
XTAL1	17	20	I	Crystal input 1 or external clock input. A crystal can be connected to this pin and XTAL2 pin to utilize the internal oscillator circuit. An external clock can be used to clock oscillator circuit.
XTAL2	18	21	O	Crystal input 2 or buffered clock output. See XTAL1.
-CS	19	22	I	Chip select (active low). A low at this pin enables the ST78C34 / CPU data transfer operation.

SYMBOL DESCRIPTION

Symbol	Pin		Signal type	Pin Description
	40	44		
GND	20	23	O	Signal and power ground.
RESET	21	24	I	Master reset (active high). A high on this pin will reset all the outputs and internal registers.
-STROBE	22	25	I/O	General purpose I/O or strobe output (open drain active low, with internal pull-up). To transfer latched data to the external peripheral or printer.
-AUTOFDXT	23	26	I/O	General purpose I/O or line printer auto feed (open drain active low, with internal pull-up). To signal the printer for continuous form feed.
INIT	24	27	I/O	General purpose I/O or line printer initialize (open drain active high, with internal pull-up). To signal the line printer to enter internal initialization routine.
-SLCTIN	25	28	I/O	General purpose I/O or line printer select (open drain active low, with internal pull-up). To select the line printer.
GND	26	30	O	Power and signal ground.
PD0-PD7	27-34	31-38	I/O	Bi-directional parallel ports (three state). To transfer data in or out of the ST78C34 parallel port. PD7-PD0 are latched during output mode.
A0-A1	36-37	40-41	I	Address lines. To select internal registers.
-IOW	38	42	I	Write strobe (active low). A low on this pin will transfer the contents of the CPU data bus to the addressed register.
-IOR	39	43	I	Read strobe (active low). A low level on this pin transfers the contents of the ST78C34 data bus to the CPU.
VCC	40	44	I	Power supply input.

PRINTER PORT PROGRAMMING TABLE:

A1	A0	WRITE MODE	READ MODE
0	0	PORT REGISTER	PORT REGISTER
0	1		STATUS REGISTER *
1	0	CONTROL REGISTER	COMMAND REGISTER
1	1	ALTERNATE FUNCTION REGISTER	FIFO BYTE COUNT REGISTER

* Reading the status register will reset the INT output.

PRINTER FUNCTIONAL DESCRIPTION

The ST78C34 parallel port is designed to operate as a normal CENTRONICS printer interface. The port contains 83 byte FIFO that may be enabled via bit-7 of the Alternate Function Register (AFR). After reset, the FIFO is disabled and the part will function identical to the ST16C552. Once the FIFO is enabled via AFR bit-7, the port will enter FIFO mode after the first byte of data is strobed to the printer and the printer responds with either an -ACK or BUSY signal.

The ST78C34 will remain in FIFO mode until the part is reset or INIT is brought low. While in FIFO mode, data transfer to the printer will be controlled by the printer without any user intervention. The printer port also contains a FIFO byte counter that maintains a count of the number of bytes remaining in the FIFO. The FIFO and the FIFO byte counter are cleared by a reset or by a change of state of the INIT pin. All FIFO related timing is derived from the clock input to pin 17 of the part.

A special parallel port write / read mode is activated when INIT is held low, either by writing a "0" to Control Register bit-2 or by forcing the INIT pin low. In this mode the FIFO read pointer is advanced by reading the parallel port instead of the -ACK or BUSY signals. The -STROBE output is forced high. This allows the user to perform parallel port write and read from operations without strobing data to the printer.

Following an INIT, the parallel port will not be in the FIFO mode. Control Register bit-0 is used as the -STROBE, Status Register bit-7 is the inverse of the BUSY signal, and INT is derived from -ACK. The transition into FIFO mode will occur after the first -STROBE is generated and the printer responds with either an -ACK or BUSY. In FIFO mode, -STROBE is generated automatically and writing to Control Register bit-0 has no effect on -STROBE. Alternate Function Register bit 0-2 are used to control the delay and width of -STROBE. Handshaking between the printer and the ST78C34 may be controlled by bit-3 of the Alternate Function Register. Setting this bit to a "1" will result in the use of BUSY instead of -ACK for FIFO reading and interrupt control. INT will transition low when a "1" is written to Control Register bit-0 and will transition high when a write to parallel port is performed. In FIFO mode, data transfer to the printer will be controlled by the printer and will occur at the printer's maximum data rate.

The FIFO byte counter is incremented one count for each parallel port write and decremented one count for each FIFO read (data taken by printer). A FIFO read will be generated at the falling edge of either -ACK or BUSY. The byte counter will require two to three clock cycles to update. Hence, a read of FIFO Byte Count Register (FBCR) should only be performed a minimum of three clock after the falling edge of either -ACK or BUSY. The counter is reset whenever the FIFO is reset. If write to parallel port operation is attempted when the FIFO is full, the data will not be

written into the FIFO and the counter will not increment.

Two interrupt modes are available and are selected with the INTSEL pin. If this pin is tied low, a latched interrupt will result. In this mode, INT will transition low when a "1" is written to Control Register bit-0. A reset or reading the Status Register will clear the interrupt. If INTSEL pin is tied high, INT will transition low when a "1" is written to Control Register bit-0 and will transition high when a write to the parallel port is issued. This (non-latched) interrupt signal is always available in Status Register bit-6 regardless of the state of the INTSEL pin. Status Register bit-2 will always contain the latched interrupt state. The polarity of the INT pin may be inverted by setting Alternate Function Register bit-6 high.

The ST78C34 provides additional programmable interrupt output options by programming the Alternate Function Register bit 4-5. INT output can be selected as FIFO full or FIFO empty interrupt.

REGISTER DESCRIPTIONS

PORT REGISTER

Bi-directional printer port.

Writing to this register during output mode will transfer the contents of the data bus to the PD7-PD0 ports. Reading this register during input mode will transfer the states of the PD7-PD0 to the data bus. This register will be set to the output mode after reset.

PR BIT 7-0:

PD7-PD0 bi-directional I/O ports.

STATUS REGISTER

This register provides the state of the printer outputs and the interrupt condition.

STR BIT 1-0:

This bits are set to "1" normally except when AFR bit 5-4 are both set to "1".

STR BIT-2:

Interrupt condition.

0= an interrupt is pending

This bit will be set to "0" at the falling edge of the -ACK input.

1= no interrupt is pending

Reading the STATUS REGISTER will set this bit to "1".

STR BIT-3:

ERROR input state.

0= ERROR input is in low state

1= ERROR input is in high state

STR BIT-4:

SLCT input state.

0= SLCT input is in low state

1= SLCT input is in high state

STR BIT-5:

PE input state.

0= PE input is in low state

1= PE input is in high state

STR BIT-6:

-ACK input state.

0= -ACK input is in low state

1= -ACK input is in high state

STR BIT-7:

BUSY or FIFO full signal.

0= BUSY input is in high state

1= BUSY input is in low state

FIFO is enabled.

0= FIFO is full

1= One or more empty locations in FIFO

COMMAND REGISTER

The state of the -STROBE, -AUTOFDXT, INIT, -SLCTIN pins, and interrupt enable bit can be read by this register regardless of the I/O direction.

COM BIT-0:

-STROBE input pin.

0= -STROBE pin is in high state

1= -STROBE pin is in low state

COM BIT-1:

-AUTOFDXT input pin.

0= -AUTOFDXT pin is in high state

1= -AUTOFDXT pin is in low state

COM BIT-2:

INIT input pin.
 0= INIT pin is in low state
 1= INIT pin is in high state

COM BIT-3:

-SLCTIN input pin.
 0= -SLCTIN pin is in high state
 1= -SLCTIN pin is in low state

COM BIT-4:

Interrupt mask.
 0= Interrupt (INT output) is disabled
 1= Interrupt (INT output) is enabled

COM BIT 7-5:

Not used. Are set to "1" permanently.

CONTROL REGISTER.

Writing to this register will set the state of the -STROBE, -AUTOFDXT, INIT, SLCTIN pins, and interrupt mask register.

CON BIT-0:

-STROBE output control bit.
 0= -STROBE output is set to high state
 1= -STROBE output is set to low state

CON BIT-1:

-AUTOFDXT output control bit.
 0= -AUTOFDXT output is set to high state
 1= -AUTOFDXT output is set to low state

CON BIT-2:

INIT output control bit.
 0= INIT output is set to low state
 1= INIT output is set to high state

CON BIT-3:

-SLCTIN output control bit.
 0= -SLCTIN output is set to high state
 1= -SLCTIN output is set to low state

CON BIT-4:

Interrupt output control bit.
 0= INT output is disabled (three state mode)
 1= INT output is enabled

CON BIT-5:

I/O select. Direction of the PD7-PD0 can be selected by setting or clearing this bit.
 0= PD7-PD0 are set for output mode
 1= PD7-PD0 are set for input mode

CON BIT 7-6:

Not used.

ALTERNATE FUNCTION REGISTER (AFR)

This register En/Disables FIFO operation and provides additional capabilities to control -STROBE. INT and change interrupt functions.

AFR BIT 0-2:

Timing select.
 The -STROBE delay and width can be controlled by these bits.

AFR Bit-2	AFR Bit-1	AFR Bit-0	TSD (clocks)	TSW (clocks)
1	0	0	3	2
1	0	1	5	4
1	1	0	5	4
1	1	1	9	8
0	0	0	6	4
0	0	1	10	8
0	1	0	10	8
0	1	1	18	16

AFR BIT-3:

Interrupt source.
 0= -ACK input pin is selected as printer handshaking source
 1= BUSY input pin is selected as printer handshaking source

AFR BIT 4-5:

Interrupt type. State of the INT output pin can be selected for one of the following options.



Bit-5	Bit-4	INT output	STR bit-0	STR bit-6
0	0	Normal mode	1	-ACK
0	1	FIFO empty	1	FIFO empty
1	0	FIFO full	1	FIFO full
1	1	FIFO empty	0	FIFO empty

ST78C34 EXTERNAL RESET CONDITION

SIGNALS	RESET STATE
PD0-PD7	Unknown, output mode
-STROBE	High
-AUTOFDXT	High
INIT	Low
-SLCTIN	High

AFR BIT-6:

INT output polarity.

0= Normal. INT output follows the -ACK input

1= Inverted INT output

AFR BIT-7:

FIFO enable / disable function.

0= FIFO is disabled(default mode).

1= FIFO is enabled. Internal 83 byte of FIFO is enabled.

FIFO BYTE COUNT REGISTER (FBCR)

State and content of the printer FIFO can be monitored by reading this register.

FBCR BIT 0-6:

FIFO byte count. Number of characters left in FIFO. FCRB bit-0 is the LSB bit of the counter and FCRB bit-6 is the MSB bit of the counter.

FBCR BIT-7:

FIFO state.

0= FIFO is enabled

1= FIFO is disabled

ST78C34 REGISTER CONFIGURATIONS

A1 A0	REGISTER	D7	D6	D5	D4	D3	D2	D1	D0
0 0	PR	PD7	PD6	PD5	PD4	PD3	PD2	PD1	PD0
0 1	STR	BUSY/ -FIFO full	None Latched INT	PE	SLCT	ERROR	Latched INT	1	1
1 0	COM	1	1	1	INT enable	-SLCTIN	INIT	-AUTO- FDXT	-STROBE
1 0	CON	X	X	I/O select	INT mask	-SLCTIN	INIT	-AUTO- FDXT	-STROBE
1 1	AFR	FIFO enable	INT polarity	INT type bit-1	INT type bit-0	INT source	TIMING select bit-2	TIMING select bit-1	TIMING select bit-0
1 1	FBCR	-FIFO status	FBC-6	FBC-5	FBC-4	FBC-3	FBC-2	FBC-1	FBC-0

AC ELECTRICAL CHARACTERISTICS
 $T_A=0^\circ - 70^\circ \text{ C}$, $V_{CC}=5.0 \text{ V} \pm 10\%$ unless otherwise specified.

Symbol	Parameter	Limits			Units	Conditions
		Min	Typ	Max		
T ₁	Clock high pulse duration	50			ns	External clock
T ₂	Clock low pulse duration	50			ns	
T ₃	Clock rise/fall time			10	ns	
T ₈	Chip select setup time	5			ns	
T ₉	Chip select hold time	0			ns	
T ₁₂	Data setup time	10			ns	
T ₁₃	Data hold time	10			ns	
T ₁₄	-IOW delay from chip select	10			ns	
T ₁₅	-IOW strobe width	50			ns	
T ₁₆	Chip select hold time from -IOW	0			ns	
T ₁₇	Write cycle delay	55			ns	
T _w	Write cycle= $T_{15}+T_{17}$	105			ns	
T ₁₉	Data hold time	10			ns	
T ₂₁	-IOR delay from chip select	10			ns	
T ₂₃	-IOR strobe width	65			ns	
T ₂₄	Chip select hold time from -IOR	0			ns	
T ₂₅	Read cycle delay	55			ns	
T _r	Read cycle= $T_{23}+T_{25}$	115			ns	100 pF load
T ₂₆	Delay from -IOR to data			35	ns	
T ₃₉	-ACK pulse width	75			ns	
T ₄₀	PD7 - PD0 setup time	10			ns	
T ₄₁	PD7 - PD0 hold time	25			ns	
T ₄₂	Delay from -ACK low to interrupt low	5			ns	
T ₄₃	Delay from -IOR to reset interrupt	5			ns	

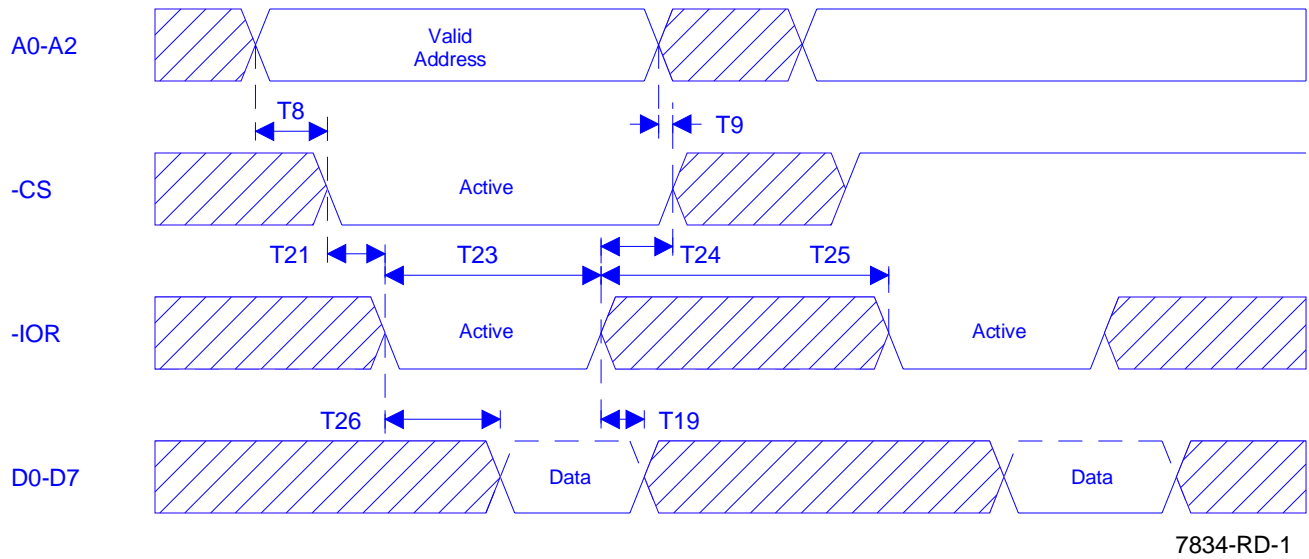
ABSOLUTE MAXIMUM RATINGS

Supply range	7 Volts
Voltage at any pin	GND-0.3 V to VCC+0.3 V
Operating temperature	0° C to +70° C
Storage temperature	-40° C to +150° C
Package dissipation	500 mW

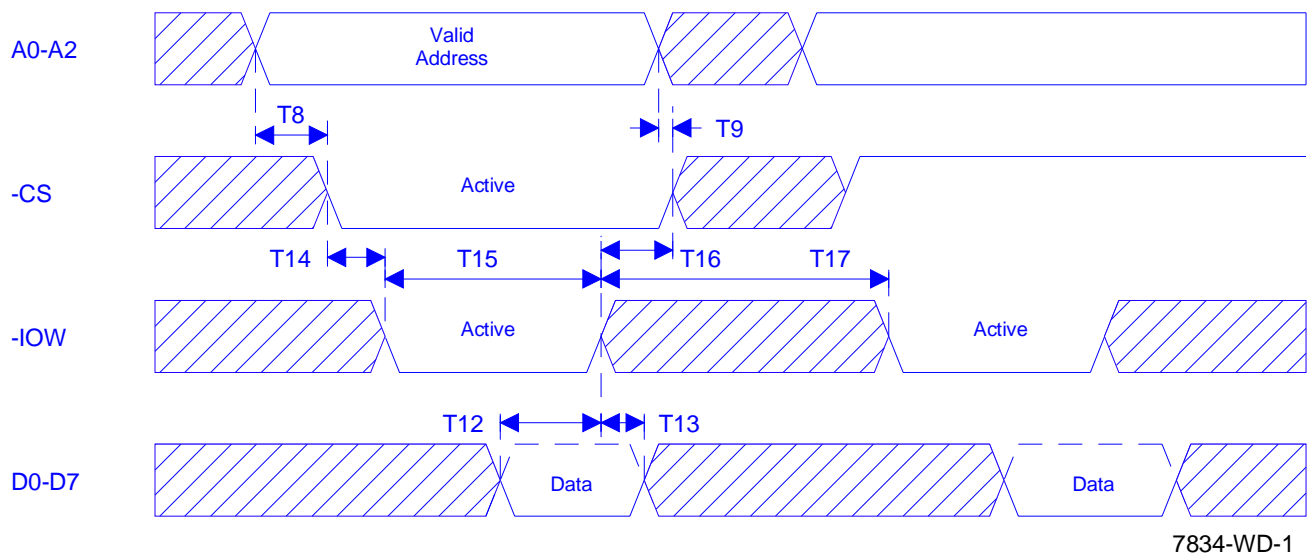
DC ELECTRICAL CHARACTERISTICS

$T_A=0^\circ - 70^\circ \text{C}$, $V_{CC}=5.0 \text{V} \pm 10\%$ unless otherwise specified.

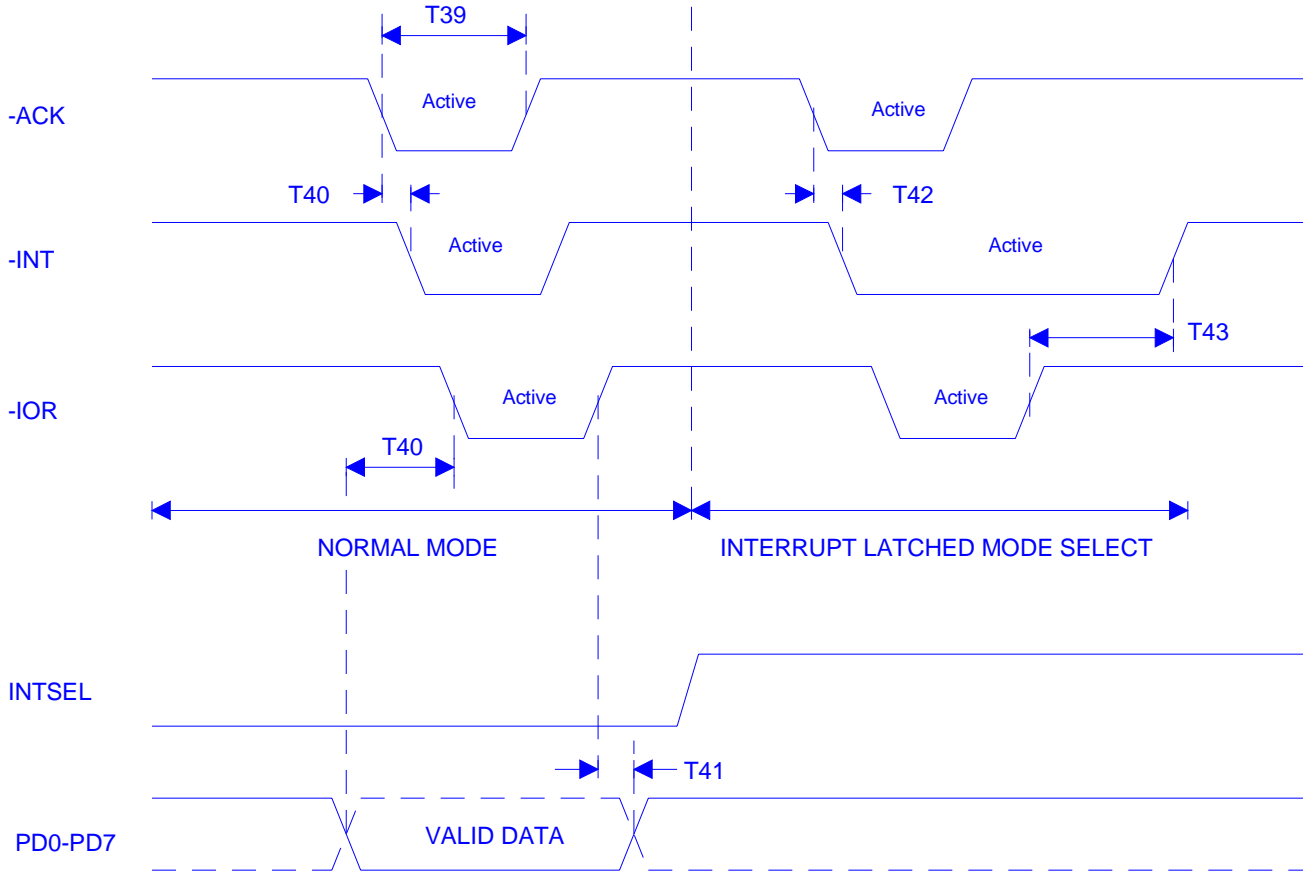
Symbol	Parameter	Limits			Units	Conditions
		Min	Typ	Max		
V_{ILCK}	Clock input low level	-0.5		0.6	V	
V_{IHCK}	Clock input high level	3.0		VCC	V	
V_{IL}	Input low level	-0.5		0.8	V	
V_{IH}	Input high level	2.2		VCC	V	
V_{OL}	Output low level			0.4	V	$I_{OL}= 6.0 \text{ mA D7-D0}$ $I_{OL}= 15\text{mA PD7-PD0}$ $I_{OL}= 5.0 \text{ mA on all other outputs}$
V_{OH}	Output high level	2.4			V	$I_{OH}= -6.0 \text{ mA D7-D0}$ $I_{OH}= -12.0 \text{ mA PD7-PD0}$ $I_{OH}= -150 \text{ mA - SLCTIN, INIT*, -STROBE, -AUTOFDXT}$ $I_{OH}= -6.0 \text{ mA on all other outputs}$
I_{CC}	Avg. power supply current		4	7	mA	
I_{IL}	Input leakage			± 10	μA	Except Pins 1-6
I_{IL}	Input leakage			-450	μA	Pins 1-6 @ $V_{in}=0\text{V}$
R_{IN}	Input pullup resistance	12		40	k Ω	Pins 1-6
I_{CL}	Clock leakage			± 10	μA	



General read timing

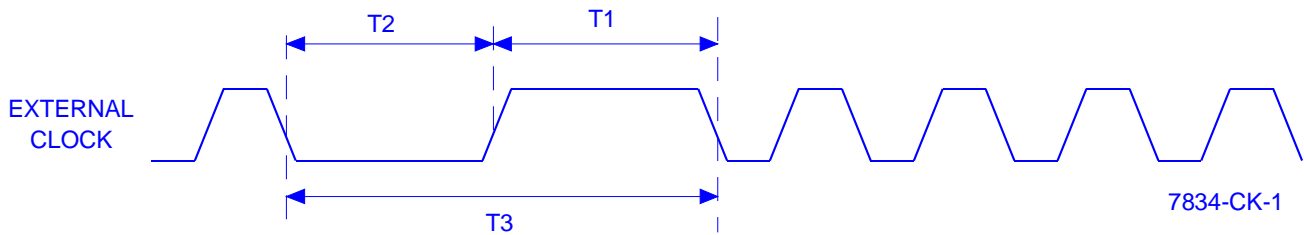


General write timing



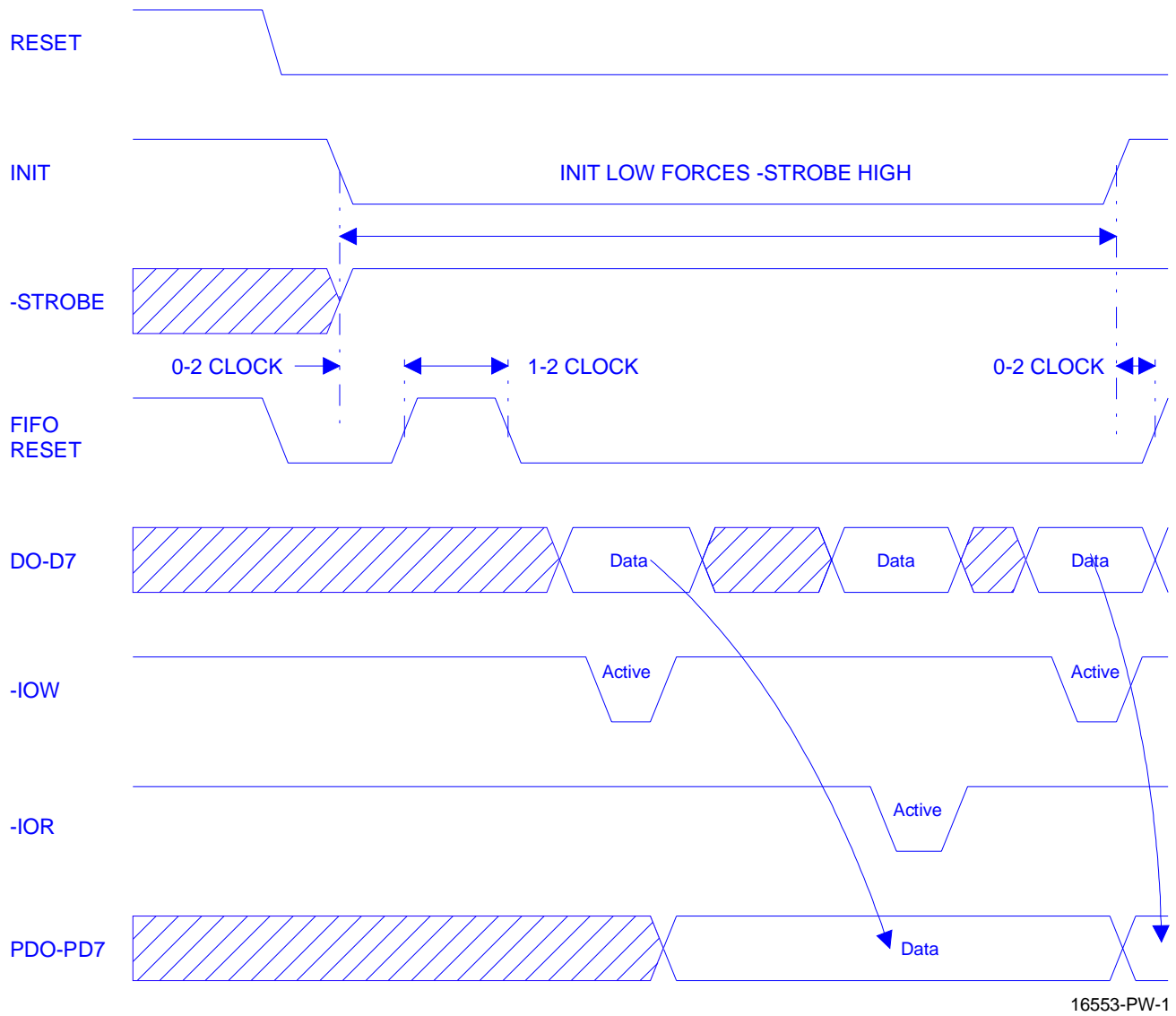
7834-PR-1

Interrupt timing

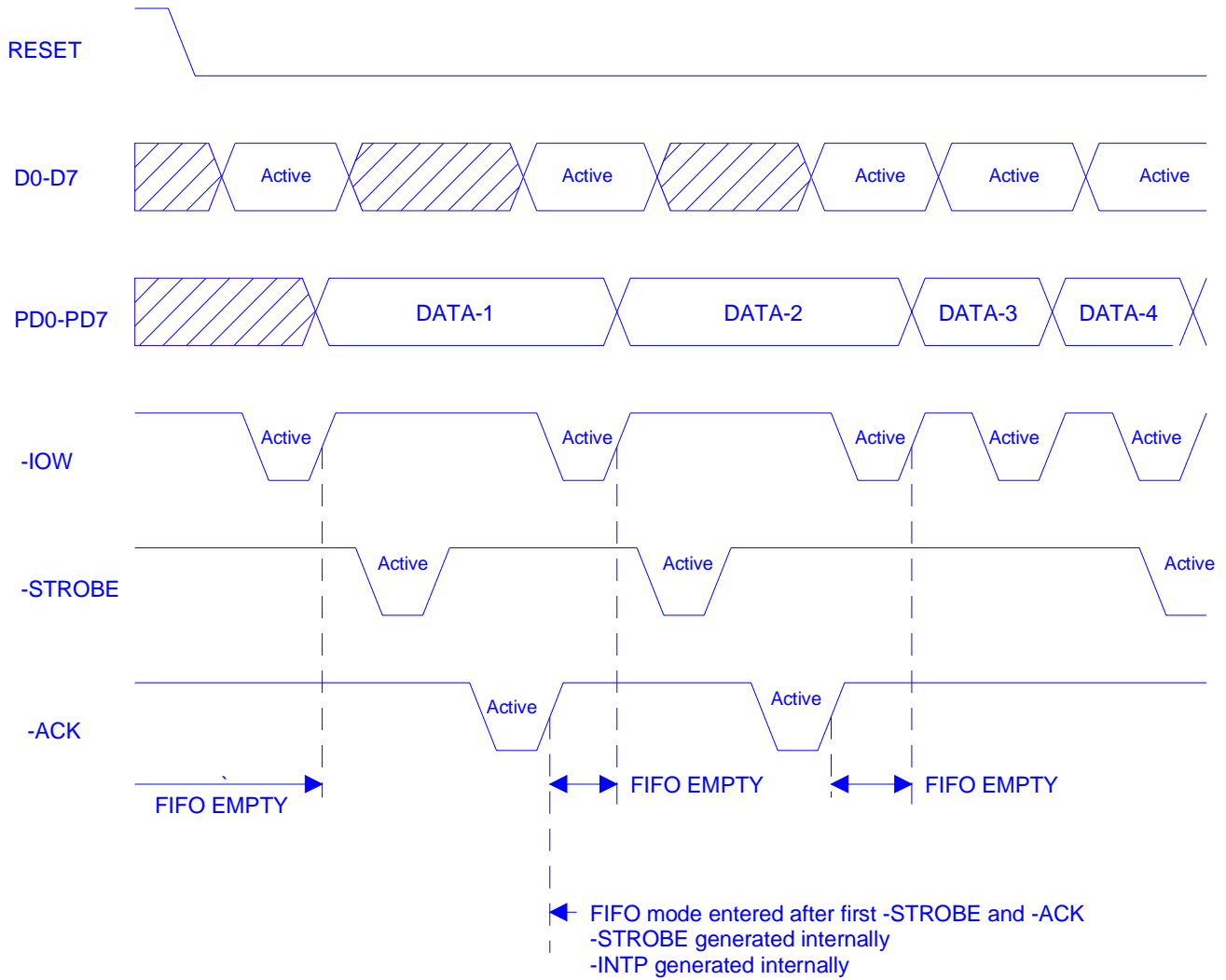


7834-CK-1

External clock timing

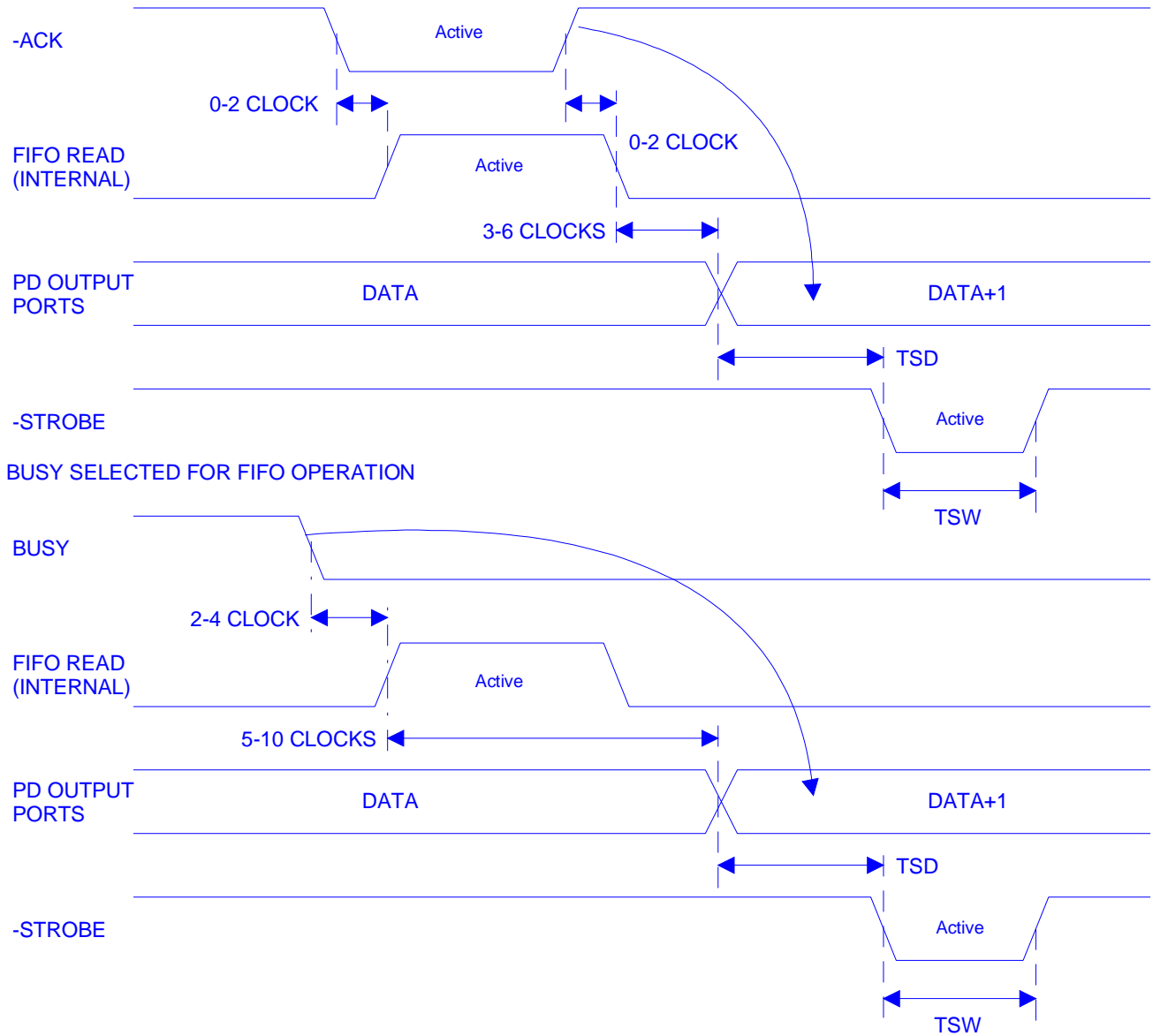


Printer special mode



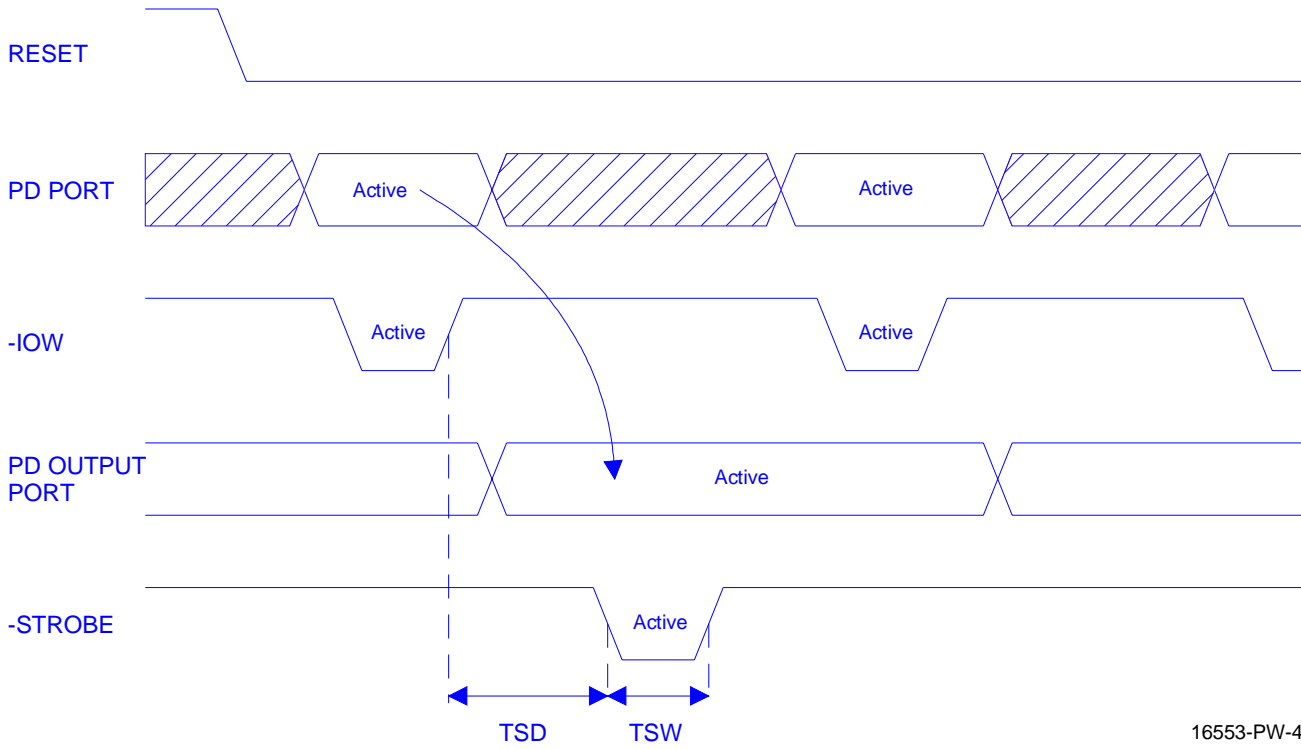
16553-PW-2

Printer auto FIFO mode



16553-PW-3

Printer FIFO timing with more than one byte in the FIFO

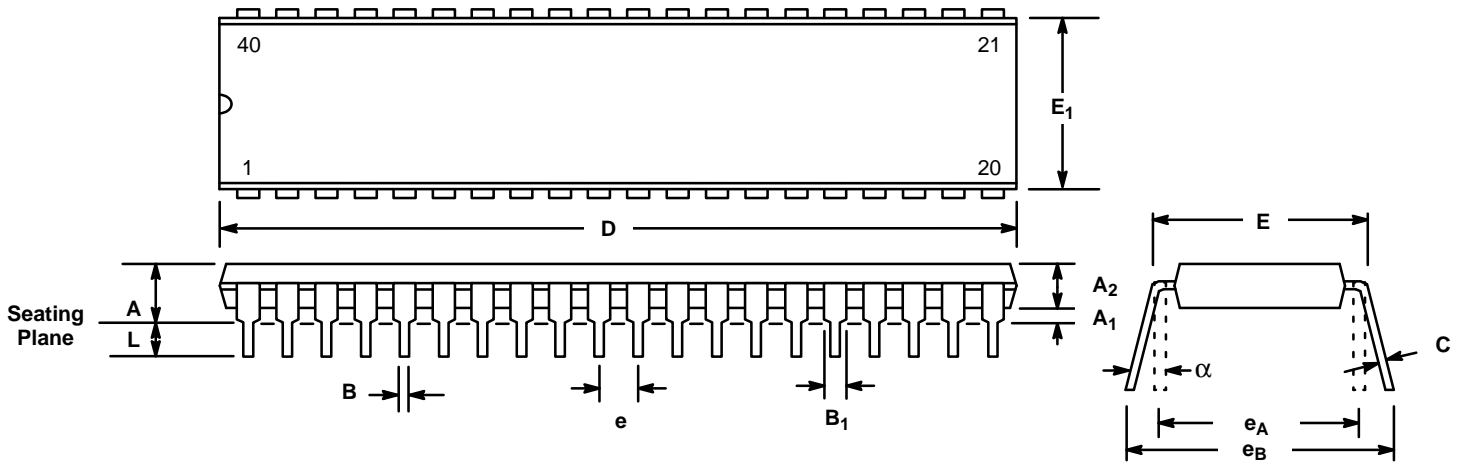


Printer FIFO, with one byte in the FIFO

Package Dimensions

40 LEAD PLASTIC DUAL-IN-LINE (600 MIL PDIP)

Rev. 1.00



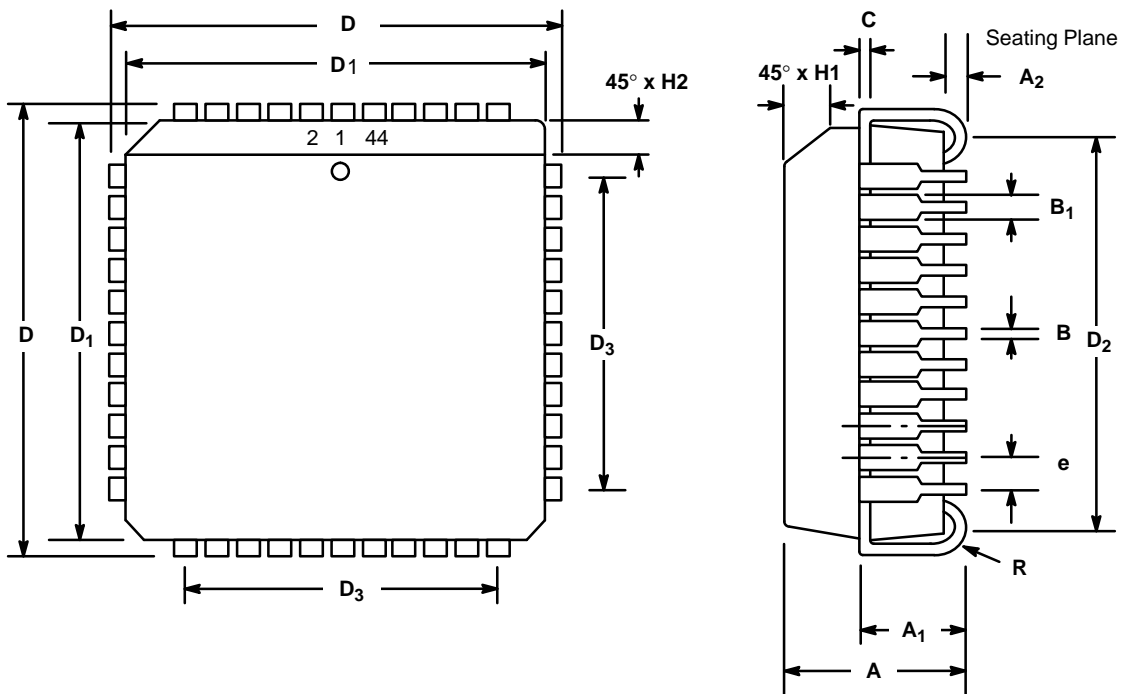
SYMBOL	INCHES		MILLIMETERS	
	MIN	MAX	MIN	MAX
A	0.160	0.250	4.06	6.35
A ₁	0.015	0.070	0.38	1.78
A ₂	0.125	0.195	3.18	4.95
B	0.014	0.024	0.36	0.56
B ₁	0.030	0.070	0.76	1.78
C	0.008	0.014	0.20	0.38
D	1.980	2.095	50.29	53.21
E	0.600	0.625	15.24	15.88
E ₁	0.485	0.580	12.32	14.73
e	0.100 BSC		2.54 BSC	
e _A	0.600 BSC		15.24 BSC	
e _B	0.600	0.700	15.24	17.78
L	0.115	0.200	2.92	5.08
α	0°	15°	0°	15°

Note: The control dimension is the inch column

Package Dimensions

44 LEAD PLASTIC LEADED CHIP CARRIER (PLCC)

Rev. 1.00



SYMBOL	INCHES		MILLIMETERS	
	MIN	MAX	MIN	MAX
A	0.165	0.180	4.19	4.57
A ₁	0.090	0.120	2.29	3.05
A ₂	0.020	—	0.51	—
B	0.013	0.021	0.33	0.53
B ₁	0.026	0.032	0.66	0.81
C	0.008	0.013	0.19	0.32
D	0.685	0.695	17.40	17.65
D ₁	0.650	0.656	16.51	16.66
D ₂	0.590	0.630	14.99	16.00
D ₃	0.500 typ.		12.70 typ.	
e	0.050 BSC		1.27 BSC	
H ₁	0.042	0.056	1.07	1.42
H ₂	0.042	0.048	1.07	1.22
R	0.025	0.045	0.64	1.14

Note: The control dimension is the inch column



NOTICE

EXAR Corporation reserves the right to make changes to the products contained in this publication in order to improve design, performance or reliability. EXAR Corporation assumes no responsibility for the use of any circuits described herein, conveys no license under any patent or other right, and makes no representation that the circuits are free of patent infringement. Charts and schedules contained here in are only for illustration purposes and may vary depending upon a user's specific application. While the information in this publication has been carefully checked; no responsibility, however, is assumed for inaccuracies.

EXAR Corporation does not recommend the use of any of its products in life support applications where the failure or malfunction of the product can reasonably be expected to cause failure of the life support system or to significantly affect its safety or effectiveness. Products are not authorized for use in such applications unless EXAR Corporation receives, in writing, assurances to its satisfaction that: (a) the risk of injury or damage has been minimized; (b) the user assumes all such risks; (c) potential liability of EXAR Corporation is adequately protected under the circumstances.

Copyright 1991 EXAR Corporation

Reproduction, in part or whole, without the prior written consent of EXAR Corporation is prohibited.

