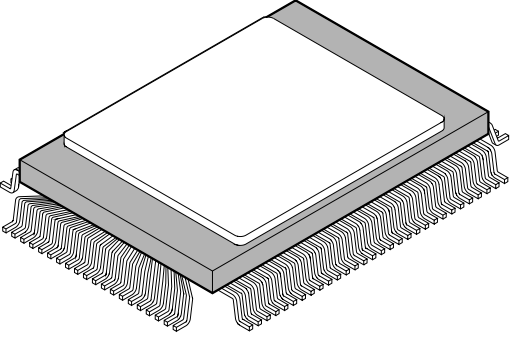


FPT-100C-A01

<p>100-pin ceramic QFP</p>  <p>(FPT-100C-A01)</p>	Lead pitch	0.65 mm	
	Lead shape	Gullwing	
	Sealing method	Metal seal	

