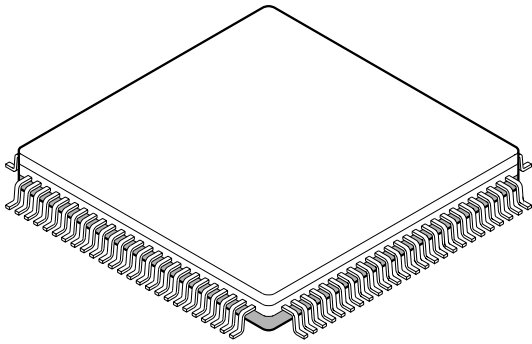


FPT-100C-C01

<p>100-pin ceramic LQFP</p>  <p>(FPT-100C-C01)</p>	Lead pitch	0.50 mm
	Lead shape	Gullwing
	Sealing method	Cerdip

