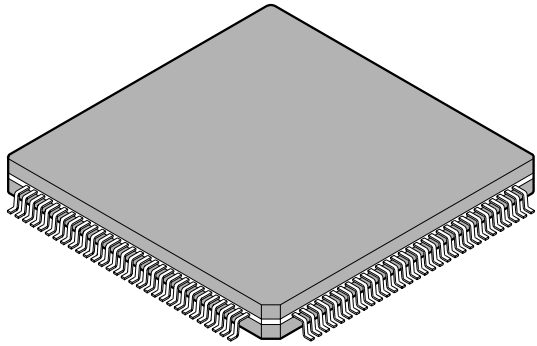


FPT-120C-C01

<p>120-pin ceramic QFP</p>  <p>(FPT-120C-C01)</p>	Lead pitch	0.80 mm
	Package width × package length	28 × 28 mm
	Lead shape	Gullwing
	Sealing method	Cerdisp
	Length of flat portion of pins	0.80 mm
	Base ceramic material	Alumina

