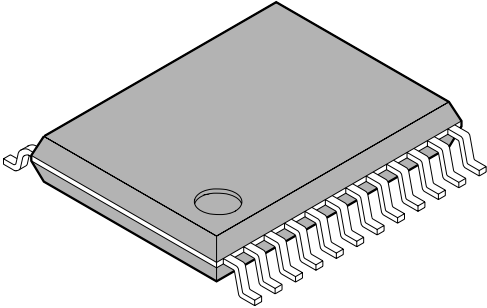


FPT-24P-M03

<p>24-pin plastic SSOP</p>  <p>(FPT-24P-M03)</p>	Lead pitch	0.65 mm	
	Lead shape	Gullwing	
	Sealing method	Plastic mold	

