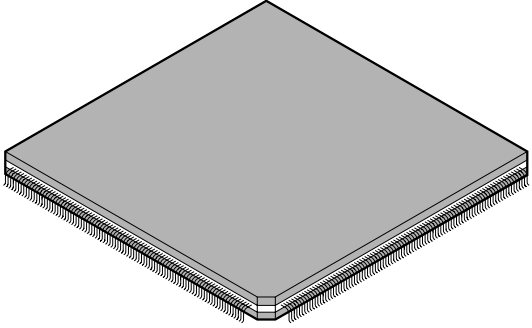


FPT-368C-C01

<p>368-pin ceramic QFP</p>  <p>(FPT-368C-C01)</p>	Lead pitch	0.40 mm	
	Lead shape	Gullwing	
	Sealing method	Cerdip	
	Length of flat portion of pins	0.50 mm	
	Base ceramic material	Aluminum nitride	

