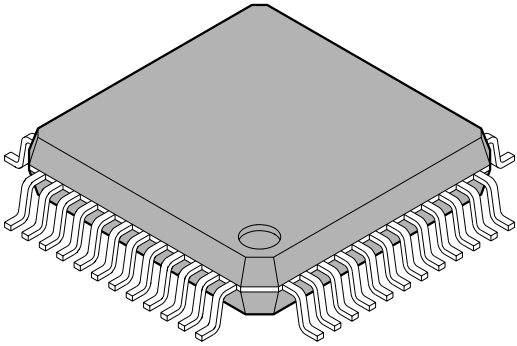


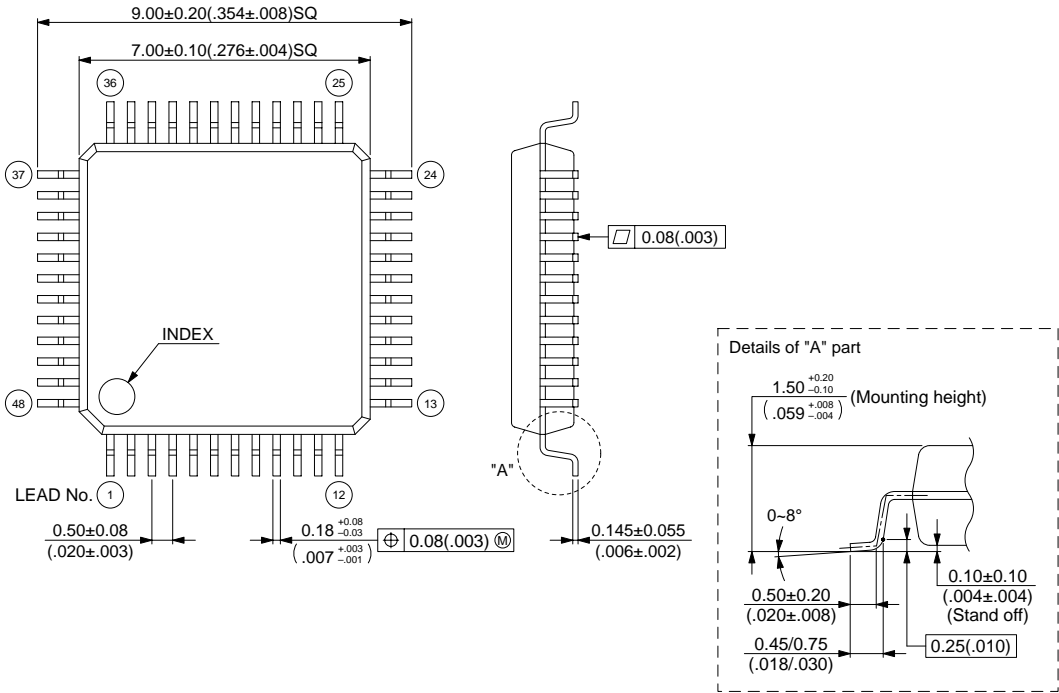
FPT-48P-M05

EIAJ code : *P-LQFP-0048-0707-0.50

<p>48-pin plastic LQFP</p>  <p>(FPT-48P-M05)</p>	Lead pitch	0.50 mm
	Package width × package length	7.0 × 7.0 mm
	Lead shape	Gullwing
	Sealing method	Plastic mold
	Mounting height	1.70 mm MAX
	Weight	0.17 g

48-pin plastic LQFP (FPT-48P-M05)

*Pins width and pins thickness include plating thickness.



Top view dimensions:
 Overall width: 9.00 ± 0.20 (.354 ± .008) SQ
 Pin pitch: 7.00 ± 0.10 (.276 ± .004) SQ
 Pin 1 location: INDEX

Lead dimensions:
 Lead width: 0.50 ± 0.08 (.020 ± .003)
 Lead thickness: 0.18 (+.08 / -.03) (.007 +.003 / -.001)
 Pin thickness: 0.145 ± 0.055 (.006 ± .002)
 Pin width: 0.08 (.003)

Details of "A" part:
 Mounting height: 1.50 (+.20 / -.10) (.059 +.008 / -.004)
 Lead angle: 0-8°
 Stand off: 0.10 ± 0.10 (.004 ± .004)
 Lead length: 0.50 ± 0.20 (.020 ± .008)
 Lead thickness: $0.45/0.75$ (.018/.030)
 Stand off width: 0.25 (.010)

© 1998 FUJITSU LIMITED F48013S-3C-6

Dimensions in mm (inches).

The contents of this document are subject to change without notice.
 Customers are advised to consult with FUJITSU sales representatives before ordering.
 FUJITSU is unable to assume responsibility for infringement of any patent rights or other rights of third parties arising from the use of the information or package dimensions in this document.