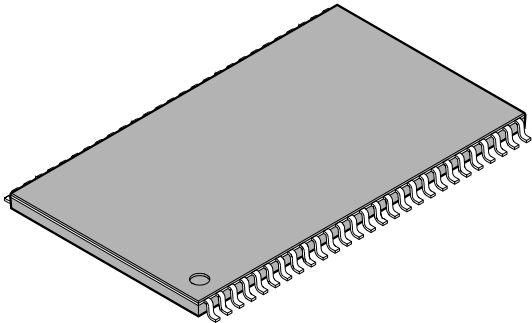


FPT-54P-M01

<p>54-pin plastic TSOP (II)</p>  <p>(FPT-54-M01)</p>	Lead pitch	0.80 mm	
	Package width	500 mil	
	Lead shape	Gullwing	
	Sealing method	Plastic mold	

