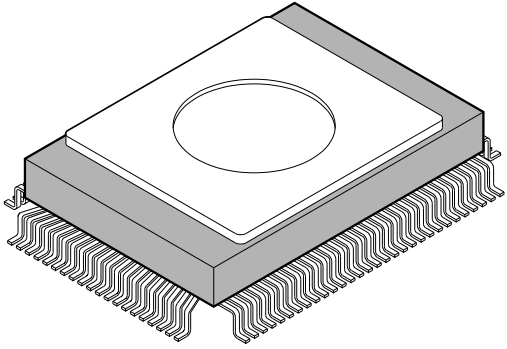


QUAD FLAT L-LEADED PACKAGE 100 PIN CERAMIC

FPT-100C-A02

<p>100-pin ceramic QFP</p>  <p>(FPT-100C-A02)</p>	Lead pitch	0.65 mm
	Lead shape	Gullwing
	Sealing method	Metal seal

