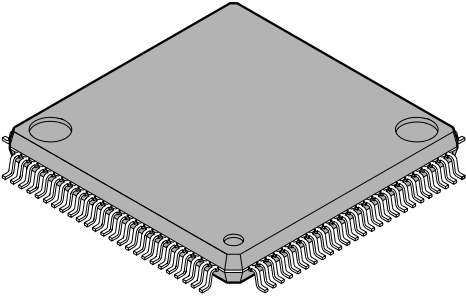


# LOW PROFILE SHRINK QUAD FLAT L-LEADED PACKAGE 100 PIN PLASTIC

FPT-100P-M05

EIAJ code : \*QFP100-P-1414-1

<p>100-pin plastic LQFP</p>  <p>(FPT-100P-M05)</p>	Lead pitch	0.50mm	
	Package width × package length	14 × 14mm	
	Lead shape	Gullwing	
	Sealing method	Plastic mold	

