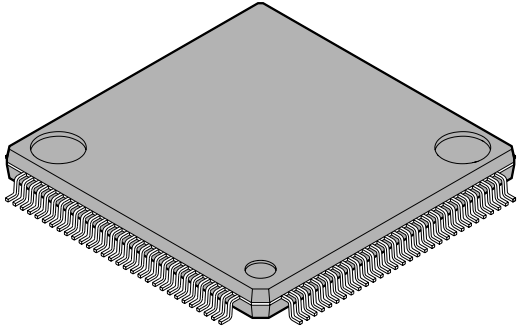


LOW PROFILE SHRINK QUAD FLAT L-LEADED PACKAGE 120 PIN PLASTIC

FPT-120P-M05

EIAJ code : *QFP120-P-1414-1

| | | | |
|---|--------------------------------|--------------|--|
| <p>120-pin plastic LQFP</p>  <p>(FPT-120P-M05)</p> | Lead pitch | 0.40mm | |
| | Package width × package length | 14 × 14mm | |
| | Lead shape | Gullwing | |
| | Sealing method | Plastic mold | |
| | | | |
| | | | |

120-pin plastic LQFP
(FPT-120P-M05)

