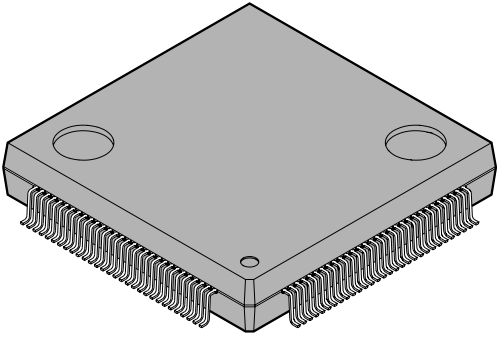


QUAD FLAT L-LEADED PACKAGE 120 PIN PLASTIC

FPT-120P-M13

EIAJ code : *QFP120-P-2020-1

<p>120-pin plastic QFP</p>  <p>(FPT-120P-M13)</p>	Lead pitch	0.50mm	
	Package width × package length	20 × 20mm	
	Lead shape	Gullwing	
	Sealing method	Plastic mold	

120-pin plastic QFP
(FPT-120P-M13)

