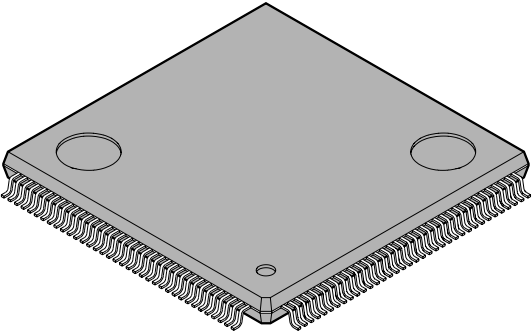


LOW PROFILE SHRINK QUAD FLAT L-LEADED PACKAGE 144 PIN PLASTIC

FPT-144P-M08

<p>144-pin plastic LQFP</p>  <p>(FPT-144P-M08)</p>	Lead pitch	0.50mm	
	Package width × package length	20 × 20mm	
	Lead shape	Gullwing	
	Sealing method	Plastic mold	
	Mounting height	1.70mm MAX	

