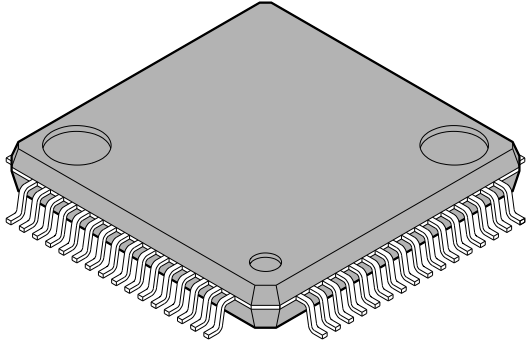


LOW PROFILE SHRINK QUAD FLAT L-LEADED PACKAGE 64 PIN PLASTIC

FPT-64P-M03

EIAJ code : *QFP064-P-1010-1

<p>64-pin plastic LQFP</p>  <p>(FPT-64P-M03)</p>	Lead pitch	0.50mm	
	Package width × package length	10 × 10mm	
	Lead shape	Gullwing	
	Sealing method	Plastic mold	

