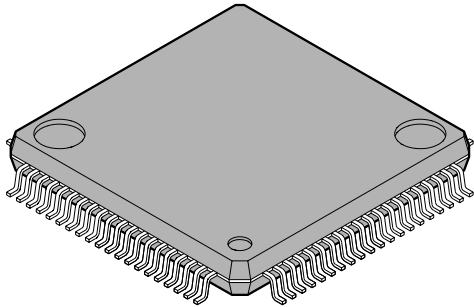


# LOW PROFILE SHRINK QUAD FLAT L-LEADED PACKAGE 80 PIN PLASTIC

## FPT-80P-M05

EIAJ code : \*QFP080-P-1212-1

<p>80-pin plastic LQFP</p>  <p>(FPT-80P-M05)</p>	Lead pitch	0.50mm	
	Package width x package length	12 × 12mm	
	Lead shape	Gullwing	
	Sealing method	Plastic mold	

80-pin plastic LQFP  
(FPT-80P-M05)

