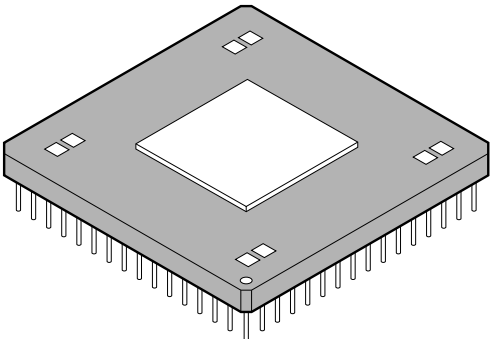
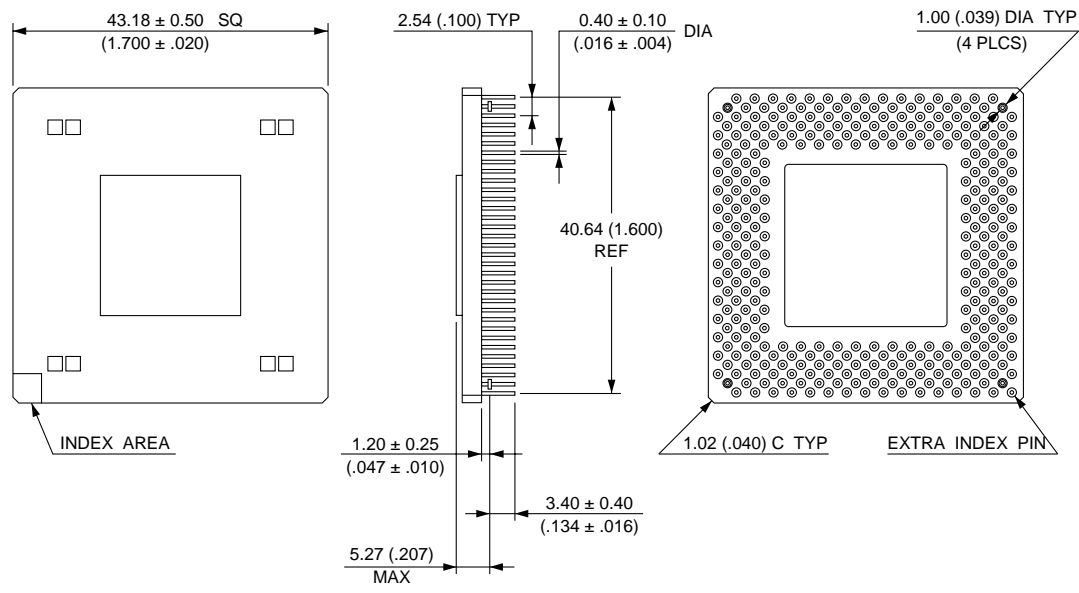


PGA-321C-A02

| | | |
|--|----------------|-------------------|
| <p>321-pin ceramic PGA</p>  <p>(PGA-321C-A02)</p> | Lead pitch | 2.54 interstitial |
| | Pin matrix | 33 |
| | Sealing method | Metal seal |
| | | |
| | | |
| | | |

321-pin ceramic PGA
(PGA-321C-A02)



43.18 ± 0.50 SQ (1.700 ± .020)

2.54 (.100) TYP

0.40 ± 0.10 DIA (.016 ± .004)

1.00 (.039) DIA TYP (4 PLCS)

40.64 (1.600) REF

INDEX AREA

1.20 ± 0.25 (.047 ± .010)

3.40 ± 0.40 (.134 ± .016)

5.27 (.207) MAX

1.02 (.040) C TYP

EXTRA INDEX PIN

© 1994 FUJITSU LIMITED R321002SC-3-2

Dimensions in mm (inches).

The contents of this document are subject to change without notice.
Customers are advised to consult with FUJITSU sales representatives before ordering.
FUJITSU is unable to assume responsibility for infringement of any patent rights or other rights of third parties arising from the use of the information or package dimensions in this document.