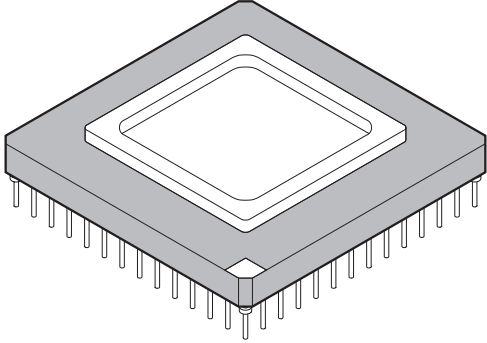


PIN GRID ARRAY PACKAGE 135 PIN CERAMIC

PGA-135C-A02

EIAJ code : *PGA135-C-S14U-2

<p>135-pin ceramic PGA</p>  <p>(PGA-135C-A02)</p>	Lead pitch	100mil
	Pin matrix	14
	Sealing method	Metal seal

135-pin ceramic PGA
(PGA-135C-A02)

