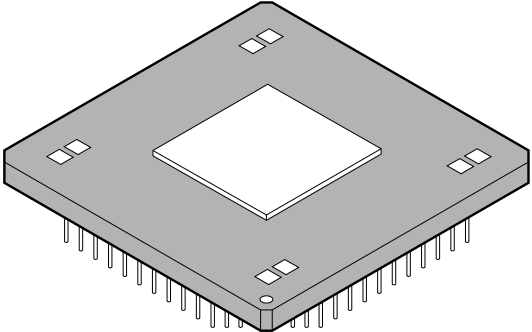


# PIN GRID ARRAY PACKAGE 401 PIN CERAMIC

## PGA-401C-A02

<p>401-pin ceramic PGA</p>  <p>(PGA-401C-A02)</p>	Lead pitch	2.54 interstitial
	Pin matrix	37
	Sealing method	Metal seal

