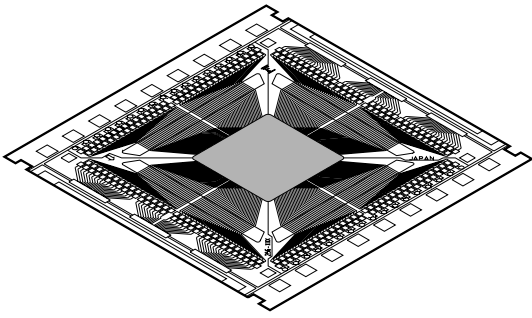


QTP-256E-M01

<p>256-pin plastic QTP</p>  <p>(QTP-256E-M01)</p>	Lead pitch	0.30 mm
	Package width × package length	24.00 × 24.00 mm
	Sealing method	Resin seal

