

AN1307

A Simple Pressure Regulator Using Semiconductor Pressure Transducers

Prepared by: Denise Williams
Discrete Applications Engineering

INTRODUCTION

Semiconductor pressure transducers offer an economical means of achieving high reliability and performance in pressure sensing applications. The completely integrated MPX5100 (0–15 PSI) series pressure transducer provides a temperature-compensated and calibrated, high-level linear

output that is suitable for interfacing directly with many linear control systems. The circuit described herein illustrates how this sensor can be used with a simple pressure feedback system to establish pressure regulation.

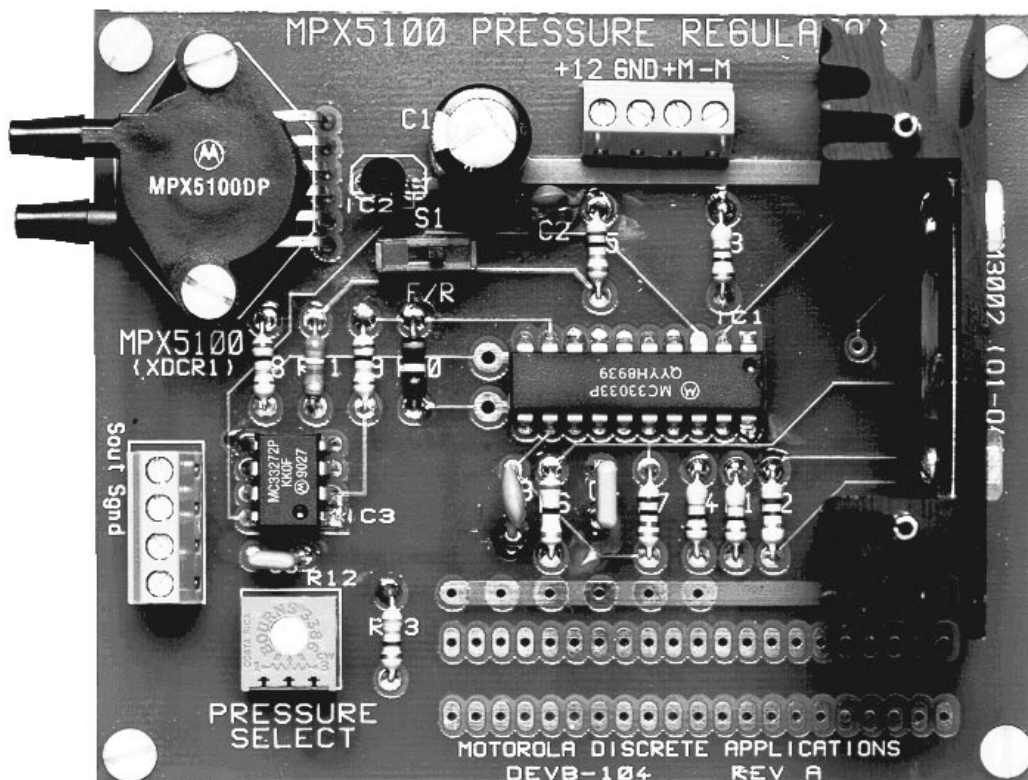


Figure 1. DEVB-104 MPX5100 Pressure Regulator

ICePAK and SENSEFET are trademarks of Motorola, Inc.

REV 1

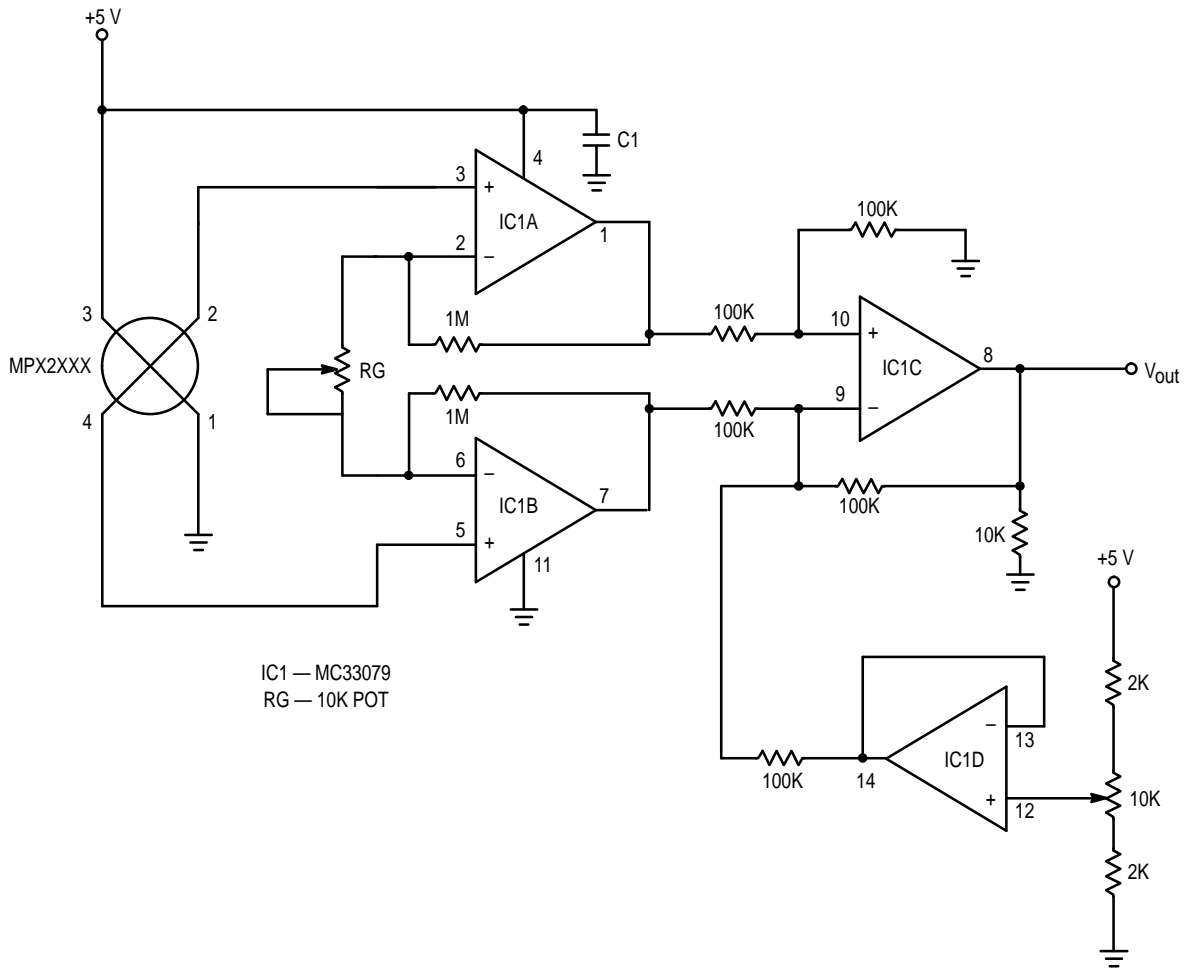


Figure 2. High Level, Ground Referenced Output Using an MPX2000 Series Transducer

THE SENSOR

The MPX5100 is the next level of integration beyond the MPX2000 series. The MPX2000 series of pressure transducers already incorporates, on-chip, more than a dozen external components needed for temperature compensation and offset calibration. Figure 2 shows the basic circuitry required to create a ground referenced output amplified to a high-level from an MPX2100 (0–15 PSI) transducer. For optimum performance, matched metal film resistor pairs and precision operational amplifiers are required.

The MPX5100 goes one step further by adding the differential to ground referenced conversion and the amplification circuitry on-chip. Therefore, the eighteen-component circuit shown in Figure 2 can be reduced to one signal-conditioned sensor, as shown in Figure 3.

All of the MPX devices contain a single piezoresistive implant which replaces the four-element Wheatstone bridge circuit found in most semiconductor-based transducers. The MPX5100 transducer uses an interactively laser-trimmed, four-stage network to perform signal conditioning. Figure 4 is an internal block diagram of the MPX5100 showing these four stages.

The first stage compensates for the temperature coefficient of offset while the second stage performs the differential to single-ended conversion. Stage three is a precision voltage reference that calibrates the zero pressure offset of the entire system, which comprises the sensor offset and the input offset voltages of the other three operational amplifiers. The final stage provides the full-scale span calibration. The MPX5100 is compensated for operation over 0 to 85°C with a response time (10% to 90%) of 1.0 msec.

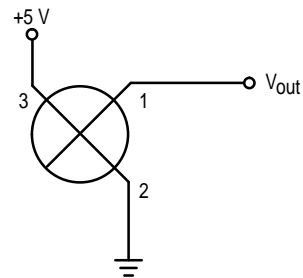


Figure 3. High Level, Ground Referenced Output Using an MPX5100

THE CIRCUIT

Figure 5 is a block diagram of a simple pressure regulator feedback system. The motor/pump is used to fill a reservoir as required. The pressure created in this reservoir is monitored with a gauge and fed back to the MPX5100 sensor. The sensor provides an output voltage to the Motor Drive Circuitry which is proportional to the monitored pressure.

The Pressure Select Circuitry allows the user to choose a desired pressure by creating a reference voltage. This reference voltage is equivalent to the sensor output when the desired pressure exists in the system. A comparison is made between the sensor output and the reference voltage. When the system pressure is below the selected pressure, the motor is turned on to increase the pressure. When the system pressure reaches the selected pressure, the motor/pump turns off. Hysteresis is used to set different trip voltages for turn-off and turn-on to allow for noise and pressure fluctuations.

For particular applications that only require one fixed regulated pressure, the Pressure Select Circuitry can be reduced to a single voltage reference. Additionally, the Motor Drive Circuitry can be simplified depending on the application requirements and the motor to be used. Since a +5.0 Vdc supply to the sensor provides an output that is ideal for interfacing with an A/D converter, this comparison could easily be converted to a software function, allowing for a digital pressure select input as well as controlling a digital display.

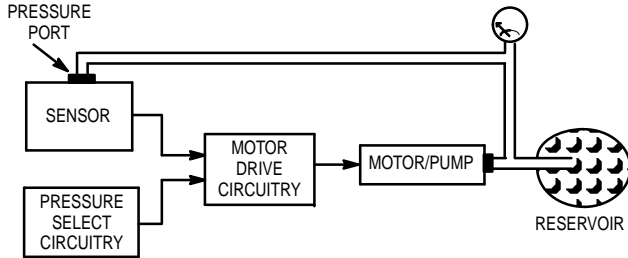


Figure 5. System Block Diagram

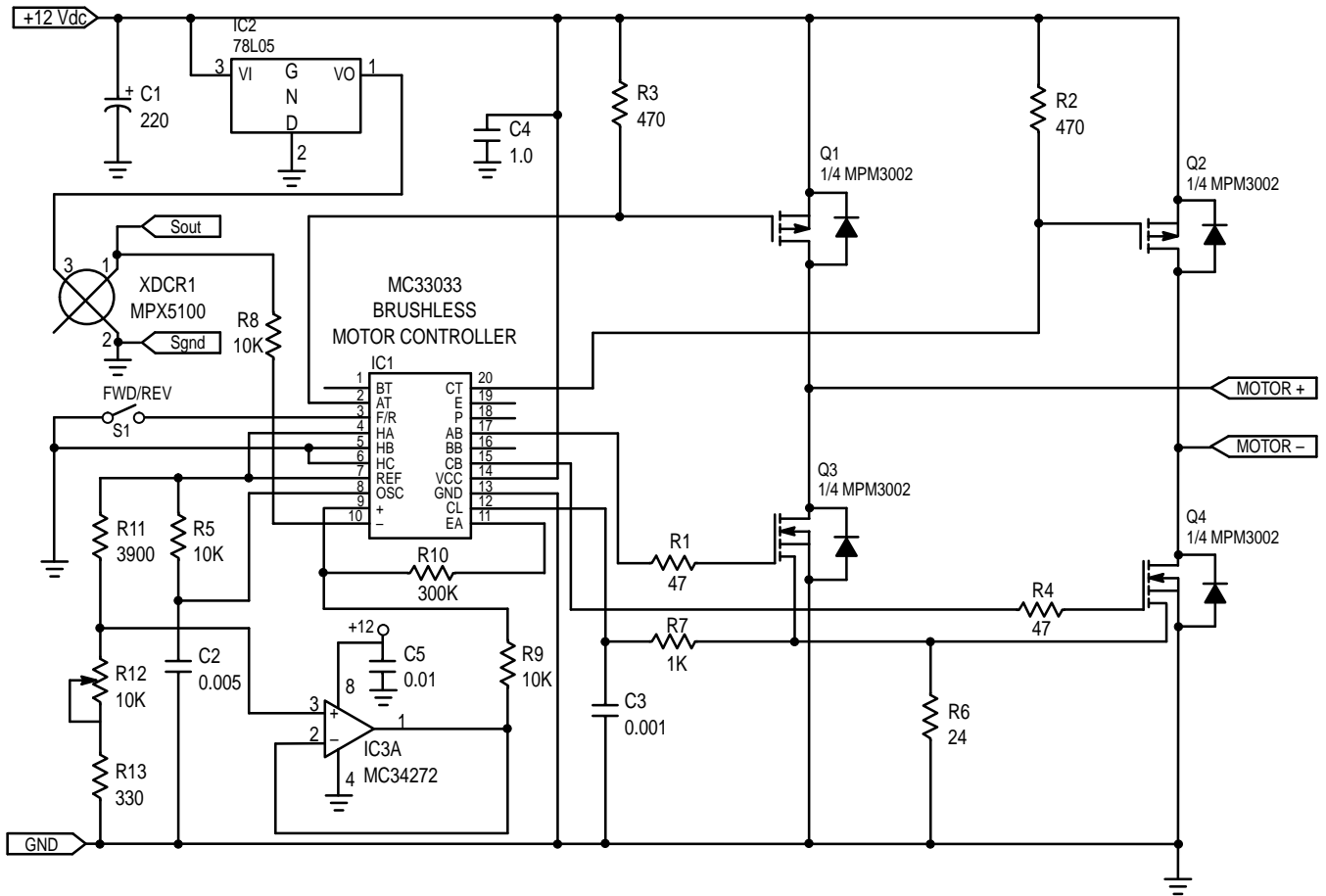


Figure 6. MPX5100 Pressure Regulator

DETAILED CIRCUIT DESCRIPTION

The Supply Voltage

Figure 6 is a schematic of the control electronics for this pressure regulator system. The +12 Vdc supply is used by the MPM3002 power transistors, the MC33033 motor controller and the MC34272 operational amplifier. In addition, this voltage is regulated down to +5.0 Vdc for the sensor supply.

The Pressure Select Circuitry

R11, R12 and R13 provide a variable reference from 0.5 V to 4.5 V. By adjusting R12, the reference voltage can be set to the desired pressure turn-off point. The error amplifier internal to the MC33033, along with R8, R9 and R10, is configured as a comparator with hysteresis. The sensor output voltage and the reference voltage are inputs to the comparator and are used to determine when the motor is turned on or turned off. When the sensor output is less than the reference voltage the motor is on. Pressure in the system increases until the sensor output is equal to the reference voltage plus the hysteresis voltage then the motor is turned off. If the pressure decreases while the motor is off, the sensor output will decrease until it is equal to the reference voltage at which time the motor turns on.

Hysteresis is set to prevent the motor from turning off and on due to small voltage variations such as noise or small pressure fluctuations in the system. The ratio of R10 to both R8 and R9 can be adjusted to provide the hysteresis required in a particular application. The resistor values shown in Figure 6 provide a ratio of 300 k Ω to 10 k Ω . This corresponds to a hysteresis of 300 mV or 7.5 kPa between the turn-off and turn-on trip points. The operational amplifier (MC34272) is used to provide a low impedance output to isolate the divider network from the comparator circuit.

The Motor Drive Circuitry

In a brush motor drive, the primary function of the controller IC is to translate speed and direction inputs into appropriate drive for the power transistors. This can be done efficiently by using the MC33033 Brushless DC controller as shown in Figure 6. In a brushless application, two of six output transistors are switched on in response to Hall sensor inputs H_A, H_B and H_C. In order to drive a brush motor, all that is required is to select a single Hall code that will drive a four transistor H-bridge in a way that is suitable for brush motors. By using phase A and phase C outputs, a 1-0-0 Hall code produces the correct drive for brush motors. A_T, B_T and C_T are open collector outputs, therefore, a logic 0 represents the on state. Conversely, A_B, B_B and C_B are totem pole drivers, and a logic 1 turns on the corresponding output transistor.

Generating the Hall code is easy. Since it is fixed at 1-0-0, tying the Hall inputs to DC levels is sufficient. Logic 1 is obtained from V_{REF}, and logic 0 from ground. The result is the

connections for pins 4, 5 and 6 that are shown in Figure 6. In addition to providing drive to the output transistors, the MC33033 has a current limit function and controls speed by pulse width modulating the lower output transistors, Q3 and Q4. The current limit operates on a 100 mV threshold. Once tripped, it latches the lower transistor drive off until the next clock cycle begins. The latching feature prevents high frequency oscillations which would otherwise overheat the power transistors. Compatibility with SENSEFETs™ is provided by the 100 mV threshold and allows the lossless current sensing configuration that is also shown in Figure 6.

For low-power, low-voltage motors, level shifting the gate-drain for Q1 and Q2, the upper output transistors, is not a problem. Open collector top-side outputs in the MC33033 interface directly to P-Channel MOSFETs. All that is required in the way of top-side drive circuitry is gate-to-source resistors on the P-Channel transistors, such as R2 and R3 in Figure 6.

Since an H-Bridge motor drive uses four power transistors, a power module can considerably simplify the output stage. The MPM3002 that is shown as Q1, Q2, Q3 and Q4 in Figure 6 is ideally suited to fractional horsepower motor drives. It consists of two P-Channel MOSFETs and two N-Channel SENSEFETs connected in an H-Bridge configuration, and housed in an isolated 12-pin, single, in-line package. The P-Channels have a maximum on-resistance of 0.4 ohms, and the N-Channels 0.15 ohms. All four transistors have 100 V breakdown ratings.

The MPM3002's P-Channel/N-Channel configuration makes interfacing to an MC33033 control IC especially easy. The schematic shows an example. The SENSEFETs are connected to outputs A_B and C_B through series gate resistors, and the P-Channels are connected directly to A_T and C_T and tied to the +12 V rail through pull-up resistors. If the source voltage is greater than +12 V, a divider can be used to keep gate voltage on the P-Channels within reasonable limits.

In the schematic, the mirror outputs of both SENSEFETs are tied together. They are then fed into the MC33033's current limit input through a noise suppression filter consisting of R7 and C3. Since only one SENSEFET is on at any given time, this connection is a logic wired-OR. It provides overcurrent protection for both directions of motor rotation, and does not alter trip points for the individual legs. The trip point is calculated with the aid of the following expression.

$$I_{LIMIT} = V_{SENSE} (R_{SENSE} - r_{m(on)}) / (r_{a(on)} \cdot R_{SENSE})$$

Where:

V_{SENSE} is sense voltage

R_{SENSE} is the mirror-to-source sense resistor

r_{m(on)} is mirror-active resistance = 112 ohms

r_{a(on)} is source-active resistance = 0.14 ohms

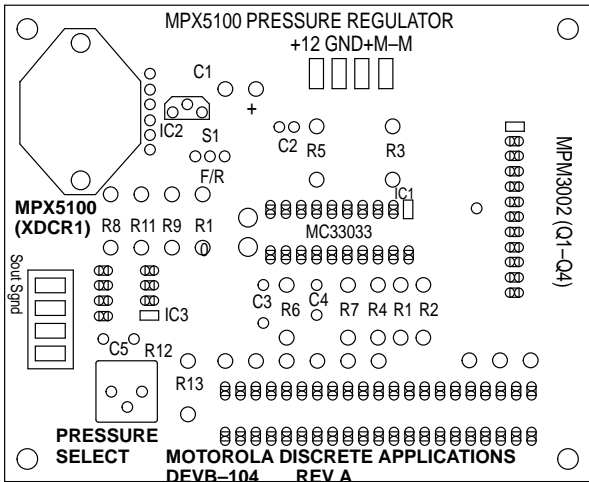


Figure 7. PCB Component Layout

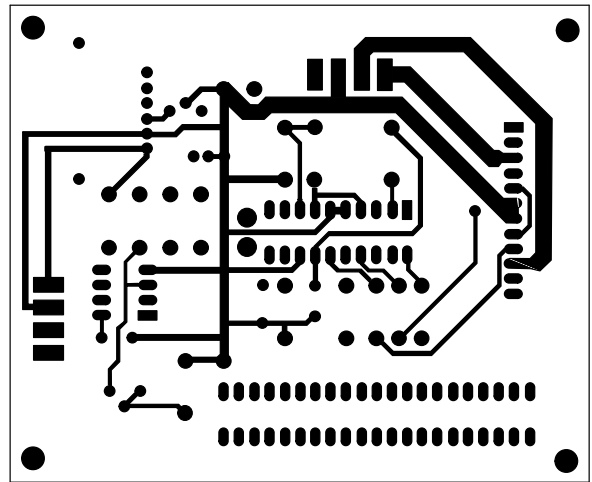


Figure 8. PCB Component Side Artwork

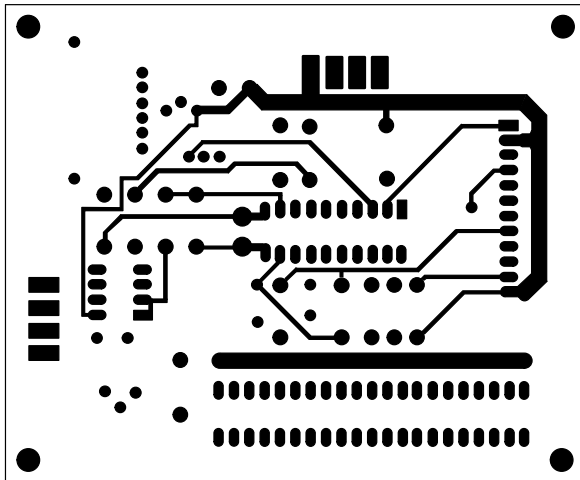


Figure 9. PCB Solder Side Artwork

Figures 7, 8, and 9 show a printed circuit board and component layout for the electronics portion of this pressure regulator system, and Table 1 is the corresponding parts list.

System Performance

The entire system draws 4.0 Amps with all but 50 mA used to drive the motor/pump. The pressure sensor provides a sensitivity to regulate well within a few kPa. However, most applications can allow far greater fluctuations in pressure. The system performance, therefore, depends mostly on the motor/pump selected and the hysteresis set in the control circuitry. Using a well-sealed pump will help ensure the motor turns off when the desired pressure is reached. Many pumps are designed to leak to prevent over inflation. In this case, the circuit will turn the motor off until the pressure is reduced, through leakage, by the designed hysteresis amount, then turn on and continue cycling to hold the pressure in the desired range.

Since the current limit threshold in the MC33033 is 100 mV, current limiting will occur when V_{SENSE} reaches 100 mV. For the circuit in Figure 6, using 100 mV for V_{SENSE} , and with $R_{SENSE} = R_6 = 24$ ohms then:

$$I_{LIMIT} = 0.1(24 + 112)/(0.14 \cdot 24) = 4.1 \text{ Amps}$$

By using SENSEFETs in the lower half bridge in lieu of a power sense resistor in series with the motor, about 1/2 watt (4.1 A · 0.1 V) of dissipation is saved.

Table 1. Parts List for Pressure Regulator PC Board

Reference Designator	Qty	Description	Comments
S1	1	MISCELLANEOUS PC Board	See Figures 7–9 PHX CONT #1727036 for ICePAK™ SS-12SDP2
	2	Input/Output Terminals	
	1	Heat Sink	
	4	1/2" nylon standoffs, threaded	
	6	1/2" nylon screws	
	2	4–40 nylon nuts	
	1	switch	
R1, R4 R2, R3 R5, R8, R9 R6 R7 R10 R11 R13	2 2 3 1 1 1 1 1	RESISTORS, FIXED Comp., ±5%, 1/4 W 47 Ω 470 Ω 10 kΩ 24 Ω 1 kΩ 300 kΩ 3900 Ω 330 Ω	
R12	1	RESISTORS, VARIABLE 10 kΩ, one turn	3386P-1-103-T
IC1 IC2 IC3 Q1–Q4	1 1 1 1	INTEGRATED CIRCUITS Motor Controller Reference Operational Amplifier Integrated H–Bridge	MC33033P 78L05 MC33272P MPM3002
XDCR1	1	SENSOR MPX5100DP	
C1 C2 C3 C4 C5	1 1 1 1 1	CAPACITORS 220 μF, 25 V 0.005 μF, ceramic, 25 V 0.001 μF, ceramic, 25 V 1 μF, ceramic, 50 V 0.01 μF, ceramic, 25 V	

CONCLUSION

This circuit is one example of how the MPX5100 with its high level output can directly interface with linear systems. It provides a simple design alternative where pressure measurement or control is required.

REFERENCE

- Schultz, Warren. "ICs Simplify Brush DC Motor Drives," *Motion*, November 1989.

Motorola reserves the right to make changes without further notice to any products herein. Motorola makes no warranty, representation or guarantee regarding the suitability of its products for any particular purpose, nor does Motorola assume any liability arising out of the application or use of any product or circuit, and specifically disclaims any and all liability, including without limitation consequential or incidental damages. "Typical" parameters which may be provided in Motorola data sheets and/or specifications can and do vary in different applications and actual performance may vary over time. All operating parameters, including "Typicals" must be validated for each customer application by customer's technical experts. Motorola does not convey any license under its patent rights nor the rights of others. Motorola products are not designed, intended, or authorized for use as components in systems intended for surgical implant into the body, or other applications intended to support or sustain life, or for any other application in which the failure of the Motorola product could create a situation where personal injury or death may occur. Should Buyer purchase or use Motorola products for any such unintended or unauthorized application, Buyer shall indemnify and hold Motorola and its officers, employees, subsidiaries, affiliates, and distributors harmless against all claims, costs, damages, and expenses, and reasonable attorney fees arising out of, directly or indirectly, any claim of personal injury or death associated with such unintended or unauthorized use, even if such claim alleges that Motorola was negligent regarding the design or manufacture of the part. Motorola and  are registered trademarks of Motorola, Inc. Motorola, Inc. is an Equal Opportunity/Affirmative Action Employer.

Mfax is a trademark of Motorola, Inc.

How to reach us:

USA/EUROPE/Locations Not Listed: Motorola Literature Distribution;
P.O. Box 5405, Denver, Colorado 80217. 303-675-2140 or 1-800-441-2447

JAPAN: Nippon Motorola Ltd.; Tatsumi-SPD-JLDC, 6F Seibu-Butsuryu-Center,
3-14-2 Tatsumi Koto-Ku, Tokyo 135, Japan. 81-3-3521-8315

Mfax™: RMFAX0@email.sps.mot.com – TOUCHTONE 602-244-6609
– US & Canada ONLY 1-800-774-1848

ASIA/PACIFIC: Motorola Semiconductors H.K. Ltd.; 8B Tai Ping Industrial Park,
51 Ting Kok Road, Tai Po, N.T., Hong Kong. 852-26629298

INTERNET: <http://motorola.com/sps>

