

AN1326

Barometric Pressure Measurement Using Semiconductor Pressure Sensors

Prepared by: Chris Winkler and Jeff Baum
Discrete Applications Engineering

ABSTRACT

The most recent advances in silicon micromachining technology have given rise to a variety of low-cost pressure sensor applications and solutions. Certain applications had previously been hindered by the high-cost, large size, and overall reliability limitations of electromechanical pressure sensing devices. Furthermore, the integration of on-chip temperature compensation and calibration has allowed a significant improvement in the accuracy and temperature stability of the sensor output signal. This technology allows for

the development of both analog and microcomputer-based systems that can accurately resolve the small pressure changes encountered in many applications. One particular application of interest is the combination of a silicon pressure sensor and a microcontroller interface in the design of a digital barometer. The focus of the following documentation is to present a low-cost, simple approach to designing a digital barometer system.

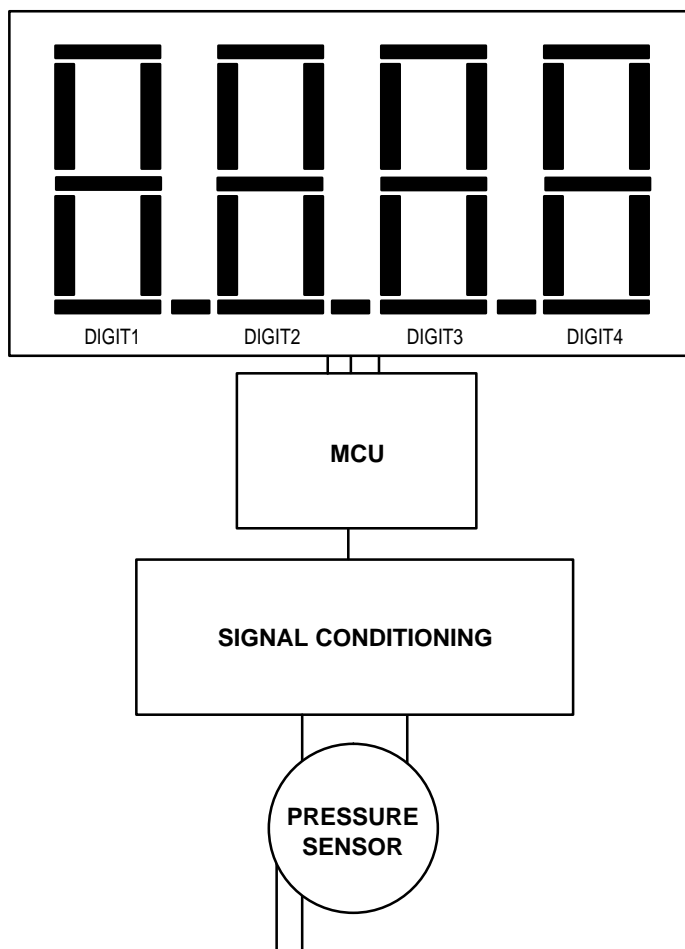


Figure 1. Barometer System

INTRODUCTION

Figure 1 shows the overall system architecture chosen for this application. This system serves as a building block, from which more advanced systems can be developed. Enhanced accuracy, resolution, and additional features can be integrated in a more complex design.

There are some preliminary concerns regarding the measurement of barometric pressure which directly affect the design considerations for this system. Barometric pressure refers to the air pressure existing at any point within the earth's atmosphere. This pressure can be measured as an absolute pressure, (with reference to absolute vacuum) or can be referenced to some other value or scale. The meteorology and avionics industries traditionally measure the absolute pressure, and then reference it to a sea level pressure value. This complicated process is used in generating maps of weather systems. The atmospheric pressure at any altitude varies due to changing weather conditions over time. Therefore, it can be difficult to determine the significance of a particular pressure measurement without additional information. However, once the pressure at a particular location and elevation is determined, the pressure can be calculated at any other altitude. Mathematically, atmospheric pressure is exponentially related to altitude. This particular system is designed to track variations in barometric pressure once it is calibrated to a known pressure reference at a given altitude.

For simplification, the standard atmospheric pressure at sea level is assumed to be 29.9 in-Hg. "Standard" barometric pressure is measured at particular altitude at the average weather conditions for that altitude over time. The system described in this text is specified to accurately measure barometric pressure variations up to altitudes of 15,000 ft. This altitude corresponds to a standard pressure of approximately 15.0 in-Hg. As a result of changing weather conditions, the standard pressure at a given altitude can fluctuate approximately ± 1 in-Hg. in either direction. Table 1 indicates standard barometric pressures at several altitudes of interest.

Table 1. Altitude versus Pressure Data

Altitude (Ft.)	Pressure (in-Hg)
0	29.92
500	29.38
1,000	28.85
6,000	23.97
10,000	20.57
15,000	16.86

SYSTEM OVERVIEW

In order to measure and display the correct barometric pressure, this system must perform several tasks. The measurement strategy is outlined below in Figure 2. First, pressure is applied to the sensor. This produces a proportional differential output voltage in the millivolt range. This signal must then be amplified and level-shifted to a single-ended, microcontroller (MCU) compatible level (0.5 – 4.5 V) by a signal conditioning circuit. The MCU will then sample the voltage at the analog-to-digital converter (A/D) channel input, convert the digital measurement value to inches of mercury, and then display the correct pressure via the LCD interface. This process is repeated continuously.

There are several significant performance features implemented into this system design. First, the system will digitally display barometric pressure in inches of mercury, with a resolution of approximately one-tenth of an inch of mercury. In order to allow for operation over a wide altitude range (0 – 15,000 ft.), the system is designed to display barometric pressures ranging from 30.5 in-Hg. to a minimum of 15.0 in-Hg. The display will read "lo" if the pressure measured is below 30.5 in-Hg. These pressures allow for the system to operate with the desired resolution in the range from sea-level to approximately 15,000 ft. An overview of these features is shown in Table 2.

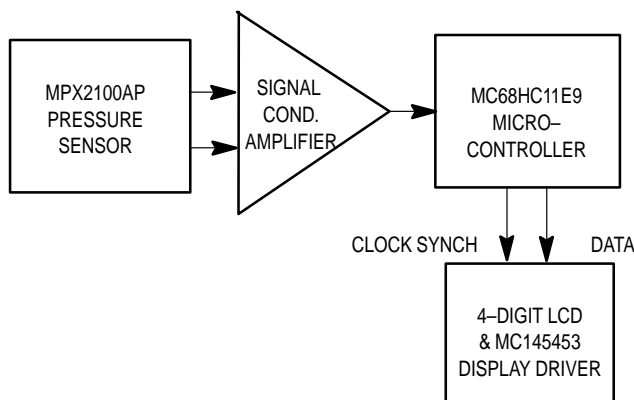


Figure 2. Barometer System Block Diagram

Table 2. System Features Overview

Display Units	in-Hg
Resolution	0.1 in-Hg.
System Range	15.0 – 30.5 in-Hg.
Altitude Range	0 – 15,000 ft.

DESIGN OVERVIEW

The following sections are included to detail the system design. The overall system will be described by considering the subsystems depicted in the system block diagram, Figure 2. The design of each subsystem and its function in the overall system will be presented.

Table 3. MPX2100AP Electrical Characteristics

Characteristic	Symbol	Minimum	Typical	Max	Unit
Pressure Range	P _{OP}	0		100	kPa
Supply Voltage	V _S		10	16	Vdc
Full Scale Span	V _{FSS}	38.5	40	41.5	mV
Zero Pressure Offset	V _{off}			±1.0	mV
Sensitivity	S		0.4		mv/kPa
Linearity			0.05		%FSS
Temperature Effect on Span			0.5		%FSS
Temperature Effect on Offset			0.2		%FSS

Pressure Sensor

The first and most important subsystem is the pressure transducer. This device converts the applied pressure into a proportional, differential voltage signal. This output signal will vary linearly with pressure. Since the applied pressure in this application will approach a maximum level of 30.5 in-Hg. (100 kPa) at sea level, the sensor output must have a linear output response over this pressure range. Also, the applied pressure must be measured with respect to a known reference pressure, preferably absolute zero pressure (vacuum). The device should also produce a stable output over the entire operating temperature range.

The desired sensor for this application is a temperature compensated and calibrated, semiconductor pressure transducer, such as the Motorola MPX2100A series sensor family. The MPX2000 series sensors are available in full-scale pressure ranges from 10 kPa (1.5 psi) to 200 kPa (30 psi). Furthermore, they are available in a variety of pressure configurations (gauge, differential, and absolute) and porting options. Because of the pressure ranges involved with barometric pressure measurement, this system will employ an MPX2100AP (absolute with single port). This device will produce a linear voltage output in the pressure range of 0 to 100 kPa. The ambient pressure applied to the single port will be measured with respect to an evacuated cavity (vacuum reference). The electrical characteristics for this device are summarized in Table 3.

As indicated in Table 3, the sensor can be operated at different supply voltages. The full-scale output of the sensor, which is specified at 40 mV nominally for a supply voltage of 10 Vdc, changes linearly with supply voltage. All non-digital circuitry is operated at a regulated supply voltage of 8 Vdc. Therefore, the full-scale sensor output (also the output of the sensor at sea level) will be approximately 32 mV.

$$\left(\frac{8}{10} \times 40 \text{ mV}\right)$$

The sensor output voltage at the systems minimum range (15 in-Hg.) is approximately 16.2 mV. Thus, the sensor output over the intended range of operations is expected to vary from 32 to 16.2 mV. These values can vary slightly for each sensor as the offset voltage and full-scale span tolerances indicate.

Signal Conditioning Circuitry

In order to convert the small-signal differential output signal of the sensor to MCU compatible levels, the next subsystem includes signal conditioning circuitry. The operational amplifier circuit is designed to amplify, level-shift, and ground reference the output signal. The signal is converted to a single-ended, 0.5 – 4.5 Vdc range. The schematic for this amplifier is shown in Figure 3.

This particular circuit is based on classic instrumentation amplifier design criteria. The differential output signal of the sensor is inverted, amplified, and then level-shifted by an adjustable offset voltage (through R_{offset1}). The offset voltage is adjusted to produce 0.5 volts at the maximum barometric pressure (30.5 in-Hg.). The output voltage will increase for decreasing pressure. If the output exceeds 5.1 V, a zener protection diode will clamp the output. This feature is included to protect the A/D channel input of the MCU. Using the transfer function for this circuit, the offset voltage and gain can be determined to provide 0.1 in-Hg of system resolution and the desired output voltage level. The calculation of these parameters is illustrated below.

In determining the amplifier gain and range of the trimmable offset voltage, it is necessary to calculate the number of steps used in the A/D conversion process to resolve 0.1 in-Hg.

$$(30.5 - 15.0)\text{in-Hg} * 10 \frac{\text{steps}}{\text{Hg}} = 155 \text{ steps}$$

The span voltage can now be determined. The resolution provided by an 8-bit A/D converter with low and high voltage references of zero and five volts, respectively, will detect 19.5 mV of change per step.

$$V_{RH} = 5 \text{ V}, V_{RL} = 0 \text{ V}$$

$$\text{Sensor Output at 30.5 in-Hg} = 32.44 \text{ mV}$$

$$\text{Sensor Output at 15.0 in-Hg} = 16.26 \text{ mV}$$

$$\Delta\text{Sensor Output} = \Delta\text{SO} = 16.18 \text{ mV}$$

$$\text{Gain} = \frac{3.04 \text{ V}}{\Delta\text{SO}} = 187$$

Note: 30.5 in-Hg and 15.0 in-Hg are the assumed maximum and minimum absolute pressures, respectively.

AN1326

This gain is then used to determine the appropriate resistor values and offset voltage for the amplifier circuit defined by the transfer function shown below.

$$V_{out} = - \left[\frac{R_2}{R_1} + 1 \right] * \Delta V + V_{off}$$

ΔV is the differential output of the sensor.

The gain of 187 can be implemented with:

$$\begin{aligned} R_1 &\approx R_3 = 121 \Omega \\ R_2 &\approx R_4 = 22.6 \text{ k} \Omega. \end{aligned}$$

Choosing $R_{offset1}$ to be 1 k Ω and $R_{offset2}$ to be 2.5 k Ω , V_{out} is 0.5 V at the presumed maximum barometric pressure of 30.5 in-Hg. The maximum pressure output voltage can be trimmed to a value other than 0.5 V, if desired via $R_{offset1}$. In addition, the trimmable offset resistor is incorporated to provide offset calibration if significant offset drift results from large weather fluctuations.

The circuit shown in Figure 3 employs an MC33272 (low-cost, low-drift) dual operational amplifier IC. In order to control large supply voltage fluctuations, an 8 Vdc regulator, MC78L08ACP, is used. This design permits use of a battery for excitation.

Microcontroller Interface

The low cost of MCU devices has allowed for their use as a signal processing tool in many applications. The MCU used in this application, the MC68HC11, demonstrates the power of incorporating intelligence into such systems. The on-chip resources of the MC68HC11 include: an 8 channel, 8-bit A/D,

a 16-bit timer, an SPI (Serial Peripheral Interface – synchronous), and SCI (Serial Communications Interface – asynchronous), and a maximum of 40 I/O lines. This device is available in several package configurations and product variations which include additional RAM, EEPROM, and/or I/O capability. The software used in this application was developed using the MC68HC11 EVB development system.

The following software algorithm outlines the steps used to perform the desired digital processing. This system will convert the voltage at the A/D input into a digital value, convert this measurement into inches of mercury, and output this data serially to an LCD display interface (through the on-board SPI). This process is outlined in greater detail below:

1. Set up and enable A/D converter and SPI interface.
2. Initialize memory locations, initialize variables.
3. Make A/D conversion, store result.
4. Convert digital value to inches of mercury.
5. Determine if conversion is in system range.
- 6a. Convert pressure into decimal display digits.
- 6b. Otherwise, display range error message.
7. Output result via SPI to LCD driver device.

The signal conditioned sensor output signal is connected to pin PE5 (Port E–A/D Input pin). The MCU communicates to the LCD display interface via the SPI protocol. A listing of the assembly language source code to implement these tasks is included in the appendix. In addition, the software can be downloaded directly from the Motorola MCU Freeware Bulletin Board (in the MCU directory). Further information is included at the beginning of the appendix.

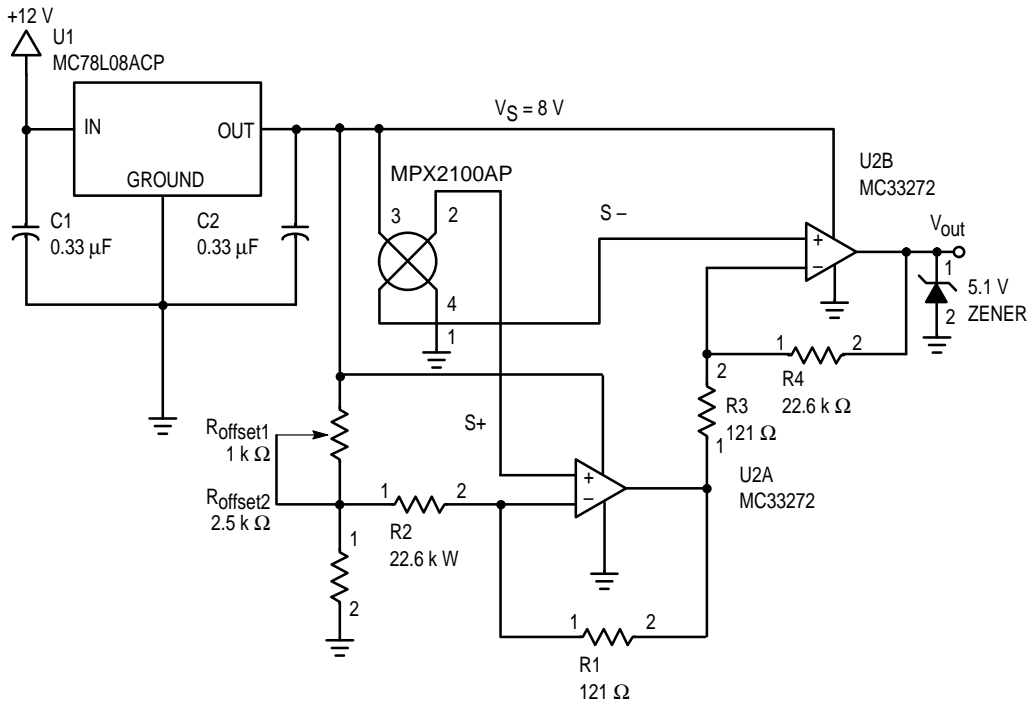


Figure 3. Signal Conditioning Circuit

LCD Interface

In order to digitally display the barometric pressure conversion, a serial LCD interface was developed to communicate with the MCU. This system includes an MC145453 CMOS serial interface/LCD driver, and a 4-digit, non-multiplexed LCD. In order for the MCU to communicate correctly with the interface, it must serially transmit six bytes for each conversion. This includes a start byte, a byte for each

of the four decimal display digits, and a stop byte. For formatting purposes, decimal points and blank digits can be displayed through appropriate bit patterns. The control of display digits and data transmission is executed in the source code through subroutines BCDCONV, LOOKUP, SP12LCD, and TRANSFER. A block diagram of this interface is included below.

CONCLUSION

This digital barometer system described herein is an excellent example of a sensing system using solid state components and software to accurately measure barometric pressure. This system serves as a foundation from which more complex systems can be developed. The MPX2100A

series pressure sensors provide the calibration and temperature compensation necessary to achieve the desired accuracy and interface simplicity for barometric pressure sensing applications.

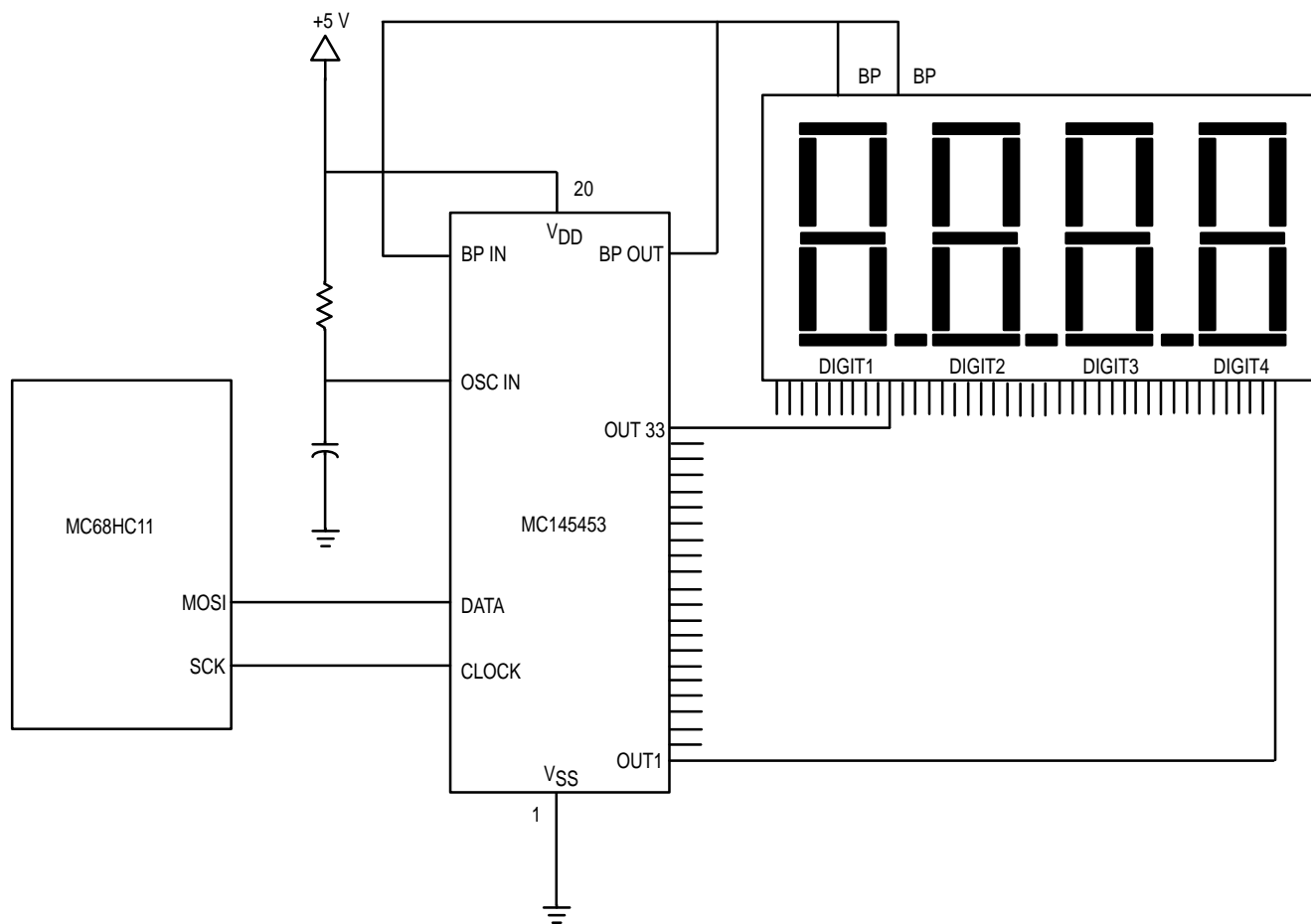


Figure 4. LCD Display Interface Diagram

APPENDIX

MC68HC11 Barometer Software Available on:

Motorola Electronic Bulletin Board

MCU Freeware Line

8-bit, no parity, 1 stop bit

1200/300 baud

(512) 891-FREE (3733)

```

* BAROMETER APPLICATIONS PROJECT - Chris Winkler
* Developed: October 1st, 1992 - Motorola Discrete Applications
* This code will be used to implement an MC68HC11 Micro-Controller
* as a processing unit for a simple barometer system.
* The HC11 will interface with an MPX2100AP to monitor, store
* and display measured Barometric pressure via the 8-bit A/D channel
* The sensor output (32mv max) will be amplified to .5 - 2.5 V dc
* The processor will interface with a 4-digit LCD (FE202) via
* a Motorola LCD driver (MCL45453) to display the pressure
* within +/- one tenth of an inch of mercury.
* The systems range is 15.0 - 30.5 in-Hg

*
* A/D & CPU Register Assignment
*
* This code will use index addressing to access the
* important control registers. All addressing will be
* indexed off of REGBASE, the base address for these registers.

REGBASE EQU $1000 * register base of control register
ADCTL EQU $30 * offset of A/D control register
ADR2 EQU $32 * offset of A/D results register
ADOPT EQU $39 * offset for A/D option register location
PORTB EQU $04 * Location of PORTB used for conversion
PORTD EQU $08 * PORTD Data Register Index
DDRD EQU $09 * offset of Data Direction Reg.
SPCR EQU $28 * offset of SPI Control Reg.
SPSR EQU $29 * offset of SPI Status Reg.
SPDR EQU $2A * offset of SPI Data Reg.

*
* User Variables
*
* The following locations are used to store important measurements
* and calculations used in determining the altitude. They
* are located in the lower 256 bytes of user RAM

DIGIT1 EQU $0001 * BCD blank digit (not used)
DIGIT2 EQU $0002 * BCD tens digit for pressure
DIGIT3 EQU $0003 * BCD tenths digit for pressure
DIGIT4 EQU $0004 * BCD ones digit for pressure
COUNTER EQU $0005 * Variable to send 5 dummy bytes
POFFSET EQU $0010 * Storage Location for max pressure offset
SENSOUT EQU $0012 * Storage location for previous conversion
RESULT EQU $0014 * Storage of Pressure(in Hg) in hex format
FLAG EQU $0016 * Determines if measurement is within range

*
* MAIN PROGRAM
*
* The conversion process involves the following steps:
*
* 1. Set-Up SPI device- SPI_CNFG
* 2. Set-Up A/D, Constants SET_UP
* 3. Read A/D, store sample ADCONV
* 4. Convert into in-Hg IN_HG
* 5. Determine FLAG condition IN_HG
* a. Display error ERROR
* b. Continue Conversion INRANGE
* 6. Convert hex to BCD format BCDCONV
* 7. Convert LCD display digits LOOKUP
* 8. Output via SPI to LCD SPI2LCD

*
* This process is continually repeated as the loop CONVERT
* runs unconditionally through BRA (the BRANCH ALWAYS statement)
* Repeats to step 3 indefinitely.

```

```

        ORG      $C000                * DESIGNATES START OF MEMORY MAP FOR USER CODE
        LD      #REGBASE              * Location of base register for indirect adr
        BSR     SPI_CNFG              * Set-up SPI Module for data X-mit to LCD
        BSR     SET_UP                * Power-Up A/D, initialize constants
CONVERT  BSR     ADCONV                * Calls subroutine to make an A/D conversion
        BSR     DELAY                * Delay routine to prevent LCD flickering
        BSR     IN_HG                * Converts hex format to in of Hg

*
* The value of FLAG passed from IN_HG is used to determine
* If a range error has occurred. The following logical
* statements are used to either allow further conversion or jump
* to a routine to display a range error message.

        LDAB   FLAG                  * Determines if an range Error has occurred
        CMPB   #$80                  * If No Error detected (FLAG=$80) then
        BEQ    INRANGE                * system will continue conversion process
        BSR    ERROR                  * If error occurs (FLAG<>80), branch to ERROR
        BRA    OUTPUT                * Branches to output ERROR code to display

*
* No Error Detected, Conversion Process Continues

INRANGE  JSR    BCDCONV              * Converts Hex Result to BCD
        JSR    LOOKUP                * Uses Look-Up Table for BCD-Decimal

OUTPUT   JSR    SPI2LCD              * Output transmission to LCD
        BRA    CONVERT              * Continually converts using Branch Always

*
* Subroutine SPI_CNFG
* Purpose is to initialize SPI for transmission
* and clear the display before conversion.

SPI_CNFG BSET   PORTD,X #$20         * Set SPI SS Line High to prevent glitch
        LDAA   #$38                  * Initializing Data Direction for Port D
        STAA   DDRD,X                * Selecting SS, MOSI, SCK as outputs only

        LDAA   #$5D                  * Initialize SPI-Control Register
        STAA   SPCR,X                * selecting SPE,MSTR,CPOL,CPHA,CPRO

        LDAA   #$5                    * sets counter to X-mit 5 blank bytes
        STAA   COUNTER
        LDAA   SPSR,X                * Must read SPSR to clear SPIF Flag

        CLRA                          * Transmission of Blank Bytes to LCD

ERASELCD JSR    TRANSFER              * Calls subroutine to transmit
        DEC    COUNTER
        BNE    ERASELCD

        RTS

*
* Subroutine SET_UP
* Purpose is to initialize constants and to power-up A/D
* and to initialize POFSET used in conversion purposes.
SET_UP   LDAA   #$90                  * selects ADPU bit in OPTION register
        STAA   ADOPT,X              * Power-Up of A/D complete
        LDD    #$0131+$001A         * Initialize POFSET
        STD    POFSET                * POFSET = 305 - 25 in hex
        LDAA   #$00                  * or Pmax + offset voltage (5 V)
        RTS

*
* Subroutine DELAY
* Purpose is to delay the conversion process
* to minimize LCD flickering.

DELAY   LDA     #$FF                  * Loop for delay of display
OUTLOOP LDB     #$FF                  * Delay = clk/255*255
INLOOP  DECB
        BNE    INLOOP
        DECA
        BNE    OUTLOOP
        RTS

*
* Subroutine ADCONV
* Purpose is to read the A/D input, store the conversion into
* SENSOUT. For conversion purposes later.

ADCONV  LD      #REGBASE              * loads base register for indirect addressing
        LDAA   #$25
        STAA   ADCTL,X                * initializes A/D cont. register SCAN=1,MULT=0

```

AN1326

```

WTCNV BRCLR ADCTL,X #\$80 WTCNV * Wait for completion of conversion flag
LDAB ADDR2,X * Loads conversion result into Accumulator
CLR A
STD SENSOUT * Stores conversion as SENSOUT
RTS

* Subroutine IN_HG
* Purpose is to convert the measured pressure SENSOUT, into
* units of in-Hg, represented by a hex value of 305-150
* This represents the range 30.5 - 15.0 in-Hg
IN_HG LDD POFFSET * Loads maximum offset for subtraction
SUBD SENSOUT * RESULT = POFFSET-SENSOUT in hex format
STD RESULT * Stores hex result for P, in Hg
CMPD #305
BHI TOHIGH

CMPD #150
BLO TOLOW

LDAB #\$80
STAB FLAG
BRA END_CONV

TOHIGH LDAB #\$FF
STAB FLAG
BRA END_CONV

TOLOW LDAB #\$00
STAB FLAG

END_CONV RTS

* Subroutine ERROR
* This subroutine sets the display digits to output
* an error message having detected an out of range
* measurement in the main program from FLAG
ERROR LDAB #\$00 * Initialize digits 1,4 to blanks
STAB DIGIT1
STAB DIGIT4

LDAB FLAG * FLAG is used to determine
CMPB #\$00 * if above or below range.
BNE SET_HI * If above range GOTO SET_HI

LDAB #\$0E * ELSE display LO on display
STAB DIGIT2 * Set DIGIT2=L,DIGIT3=0
LDAB #\$7E
STAB DIGIT3
BRA END_ERR * GOTO exit of subroutine

SET_HI LDAB #\$37 * Set DIGIT2=H,DIGIT3=1
STAB DIGIT2
LDAB #\$30
STAB DIGIT3

END_ERR RTS

* Subroutine BCDCNV
* Purpose is to convert ALTITUDE from hex to BCD
* uses standard HEX-BCD conversion scheme
* Divide HEX/10 store Remainder, swap Q & R, repeat
* process until remainder = 0.
BCDCNV LDAA #\$00 * Default Digits 2,3,4 to 0
STAA DIGIT2
STAA DIGIT3
STAA DIGIT4
LDY #DIGIT4 * Conversion starts with lowest digit
LDD RESULT * Load voltage to be converted
CONVLP LDX #\$A * Divide hex digit by 10
IDIV * Quotient in X, Remainder in D
STAB 0,Y * stores 8 LSB's of remainder as BCD digit
DEY
CPX #\$0 * Determines if last digit stored
XGDX * Exchanges remainder & quotient
BNE CONVLP
LDX #REGBASE * Reloads BASE into main program
RTS

* Subroutine LOOKUP

```



```

*           Purpose is to implement a Look-Up conversion
*           The BCD is used to index off of TABLE
*           where the appropriate hex code to display
*           that decimal digit is contained.
*           DIGIT4,3,2 are converted only.

LOOKUP  LDX      #DIGIT1+4      * Counter starts at 5
TABLOOP DEX      * Start with Digit4
        LDY      #TABLE        * Loads table base into Y-pointer
        LDAB     0,X           * Loads current digit into B
        ABY      * Adds to base to index off TABLE
        LDAA     0,Y           * Stores HEX segment result in A
        STAA    0,X
        CPX      #DIGIT2      * Loop condition complete, DIGIT2 Converted
        BNE     TABLOOP

        RTS

*           Subroutine SPI2LCD
*           Purpose is to output digits to LCD via SPI
*           The format for this is to send a start byte,
*           four digits, and a stop byte. This system
*           will have 3 significant digits: blank digit
*           and three decimal digits.

*           Sending LCD Start Byte

SPI2LCD LDX      #REGBASE
        LDAA     SPSR,X       * Reads to clear SPIF flag
        LDAA     #$02         * Byte, no colon, start bit
        BSR     TRANSFER     * Transmit byte

*           Initializing decimal point & blank digit
        LDAA     DIGIT3      * Sets MSB for decimal pt.
        ORA     #$80         * after digit 3
        STAA    DIGIT3

        LDAA     #$00         * Set 1st digit as blank
        STAA    DIGIT1

*           Sending four decimal digits

DLOOP   LDY      #DIGIT1      * Pointer set to send 4 bytes
        LDAA     0,Y         * Loads digit to be x-mitted
        BSR     TRANSFER     * Transmit byte
        INY      * Branch until both bytes sent
        CPY     #DIGIT4+1
        BNE     DLOOP

*           Sending LCD Stop Byte

        LDAA     #$00         * end byte requires all 0's
        BSR     TRANSFER     * Transmit byte

        RTS

*           Subroutine TRANSFER
*           Purpose is to send data bits to SPI
*           and wait for conversion complete flag bit to be set.


TRANSFER LDX     #REGBASE
        BCLR    PORTD,X #20   * Assert SS Line to start X-mission
        STAA    SPDR,X       * Load Data into Data Reg.,X-mit
XMIT    BRCLR   SPSR,X #80 XMIT * Wait for flag
        BSET    PORTD,X #20   * DISASSERT SS Line
        LDAB    SPSR,X       * Read to Clear SPI Flag

        RTS

*           Location for FCB memory for look-up table
*           There are 11 possible digits: blank, 0-9

TABLE   FCB      $7E,$30,$6D,$79,$33,$5B,$5F,$70,$7F,$73,$00
        END

```

Motorola reserves the right to make changes without further notice to any products herein. Motorola makes no warranty, representation or guarantee regarding the suitability of its products for any particular purpose, nor does Motorola assume any liability arising out of the application or use of any product or circuit, and specifically disclaims any and all liability, including without limitation consequential or incidental damages. "Typical" parameters which may be provided in Motorola data sheets and/or specifications can and do vary in different applications and actual performance may vary over time. All operating parameters, including "Typicals" must be validated for each customer application by customer's technical experts. Motorola does not convey any license under its patent rights nor the rights of others. Motorola products are not designed, intended, or authorized for use as components in systems intended for surgical implant into the body, or other applications intended to support or sustain life, or for any other application in which the failure of the Motorola product could create a situation where personal injury or death may occur. Should Buyer purchase or use Motorola products for any such unintended or unauthorized application, Buyer shall indemnify and hold Motorola and its officers, employees, subsidiaries, affiliates, and distributors harmless against all claims, costs, damages, and expenses, and reasonable attorney fees arising out of, directly or indirectly, any claim of personal injury or death associated with such unintended or unauthorized use, even if such claim alleges that Motorola was negligent regarding the design or manufacture of the part. Motorola and  are registered trademarks of Motorola, Inc. Motorola, Inc. is an Equal Opportunity/Affirmative Action Employer.

Mfax is a trademark of Motorola, Inc.

How to reach us:

USA/EUROPE/Locations Not Listed: Motorola Literature Distribution;
P.O. Box 5405, Denver, Colorado 80217. 303-675-2140 or 1-800-441-2447

JAPAN: Nippon Motorola Ltd.; Tatsumi-SPD-JLDC, 6F Seibu-Butsuryu-Center,
3-14-2 Tatsumi Koto-Ku, Tokyo 135, Japan. 81-3-3521-8315

Mfax™: RMFAX0@email.sps.mot.com – TOUCHTONE 602-244-6609
– US & Canada ONLY 1-800-774-1848

ASIA/PACIFIC: Motorola Semiconductors H.K. Ltd.; 8B Tai Ping Industrial Park,
51 Ting Kok Road, Tai Po, N.T., Hong Kong. 852-26629298

INTERNET: <http://motorola.com/sps>

