

Errata to **MC68302 Integrated Multiprotocol Processor User's Manual**

This document provides corrections to the *MC68302 Integrated Multiprotocol Processor User's Manual*, Rev. 3 and is designed to be used in conjunction with the user's manual. For convenience, the section number and page number of the errata item in the user's manual are provided. In this document, the term '302' is used as an abbreviation for 'MC68302'.

To locate any published errata or updates for this document, refer to the website at <http://www.motorola.com/SPS/RISC/netcomm/>.

Section #/Page #

Changes

2.8, Page 2-15 The last sentence should read, “Revision C parts have revision number \$0003.”

4.3, Page 4-5 In the RST—Software Reset Command. Replace the 5th sentence with the following:

The CP reset resets the SCCs to the state following a hardware reset, but it does not affect the serial interface (the port A and B registers and the configuration of the SIMODE and SIMASK registers).

5.6, Page 5-7 In Figure 5-5, change the reference to A23–A1 to D15–D0.

6.7, Page 6-5 Replace the table with the following (note the correction to Num 5a, 25 MHz, Max):

Num.	Characteristic	Symbol	16.67 MHz		20 MHz		25 MHz		Unit
			Min	Max	Min	Max	Min	Max	
	Frequency of Operation	f	8	16.67	8	20	8	25	MHz
1	Clock Period (EXTAL) (See note 3)	t_{cyc}	60	125	50	125	40	125	ns
2, 3	Clock Pulse Width (EXTAL)	t_{CL}, t_{CH}	25	62.5	21	62.5	16	62.5	ns
4, 5	Clock Rise and Fall Times (EXTAL)	t_{Cr}, t_{Cf}	—	5	—	4	—	4	ns
5a	EXTAL to CLKO Delay (See Notes 1 and 2)	t_{CD}	2	11	2	9	2	9	ns

6.10, Page 6-18 Replace Figure 6-9 with the following:

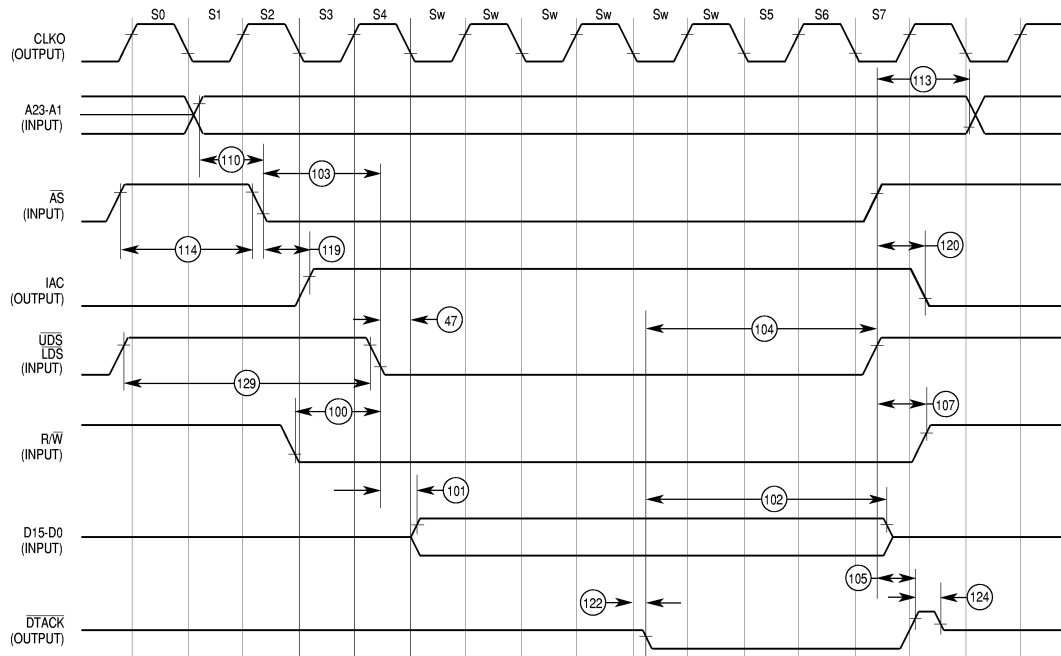


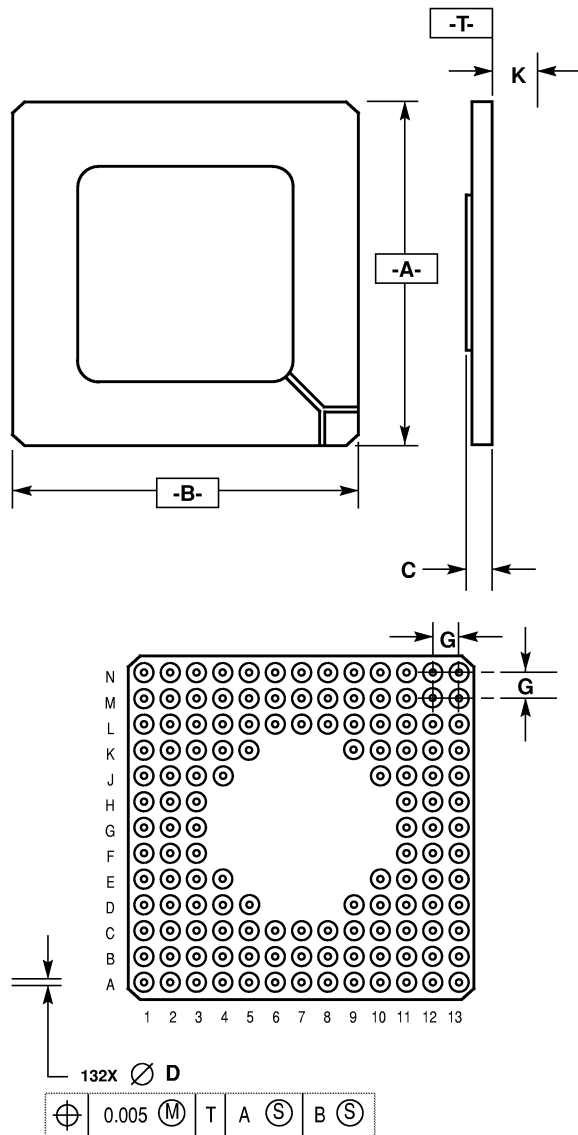
Figure 6-9. External Master Internal Asynchronous Write Cycle Timing Diagram

Section #/Page #

Changes

7.2.1, Page 7-4

Replace the PGA package case drawings with the following:



- NOTES:
 1. DIMENSIONING AND TOLERANCING PER ANSI Y14.5M, 1982.
 2. CONTROLLING DIMENSION: INCH.

DIM	INCHES	
	MIN	MAX
A	1.340	1.380
B	1.340	1.380
C	0.100	0.150
D	0.017	0.022
G	0.100 BSC	
K	0.170	0.195


7.32.3, Page 7-6

In the dimensions table, Dimension G is incorrect. Change ‘0.2 BSC’ to ‘0.02 BSC’.

D.9.2, Page D-70

The last paragraph, first sentence should read, “The general-purpose inputs (GPI) were simply pulled high for this example.”

This document contains information on a new product under development by Motorola. Motorola reserves the right to change or discontinue this product without notice.

Motorola reserves the right to make changes without further notice to any products herein. Motorola makes no warranty, representation or guarantee regarding the suitability of its products for any particular purpose, nor does Motorola assume any liability arising out of the application or use of any product or circuit, and specifically disclaims any and all liability, including without limitation consequential or incidental damages. "Typical" parameters can and do vary in different applications. All operating parameters, including "Typicals" must be validated for each customer application by customer's technical experts. Motorola does not convey any license under its patent rights nor the rights of others. Motorola products are not designed, intended, or authorized for use as components in systems intended for surgical implant into the body, or other applications intended to support or sustain life, or for any other application in which the failure of the Motorola product could create a situation where personal injury or death may occur. Should Buyer purchase or use Motorola products for any such unintended or unauthorized application, Buyer shall indemnify and hold Motorola and its officers, employees, subsidiaries, affiliates, and distributors harmless against all claims, costs, damages, and expenses, and reasonable attorney fees arising out of, directly or indirectly, any claim of personal injury or death associated with such unintended or unauthorized use, even if such claim alleges that Motorola was negligent regarding the design or manufacture of the part. Motorola and  are registered trademarks of Motorola, Inc. Mfax is a trademark of Motorola, Inc. Motorola, Inc. is an Equal Opportunity/Affirmative Action Employer.

Motorola Literature Distribution Centers:

USA/EUROPE: Motorola Literature Distribution; P.O. Box 5405; Denver, Colorado 80217; Tel.: 1-800-441-2447 or 1-303-675-2140;

World Wide Web Address: <http://ldc.nmd.com/>

JAPAN: Nippon Motorola Ltd SPD, Strategic Planning Office 4-32-1, Nishi-Gotanda Shinagawa-ku, Tokyo 141, Japan Tel.: 81-3-5487-8488

ASIA/PACIFIC: Motorola Semiconductors H.K. Ltd.; 8B Tai Ping Industrial Park, 51 Ting Kok Road, Tai Po, N.T., Hong Kong; Tel.: 852-26629298

Mfax™: RMFAX0@email.sps.mot.com; TOUCHTONE 1-602-244-6609; US & Canada ONLY (800) 774-1848;

World Wide Web Address: <http://sps.motorola.com/mfax>

INTERNET: <http://motorola.com/sps>

Technical Information: Motorola Inc. SPS Customer Support Center; 1-800-521-6274; electronic mail address: crc@wmkmail.sps.mot.com.

Document Comments: FAX (512) 891-2638, Attn: RISC Applications Engineering.

World Wide Web Addresses: <http://www.mot.com/SPS/PowerPC/>
<http://www.mot.com/SPS/RISC/netcomm/>

MC68302UMAD/AD



MOTOROLA