

Motorola Semiconductor Application Note

AN1857

A 3-Phase ac Induction Motor Control System Based on the MC68HC908MR32

By: Bill Lucas and Ken Berringer
Motorola Microcontroller Division
Austin, Texas

Software Written By:
Radim Visinka, Petr Lidak, Pavel Kania, and Petr Stekl
Roznov System Application Laboratory
Roznov, Czech Republic

Introduction

The use of microcontroller technology has enabled the design of energy-efficient and cost-effective motor control systems. Using microcontrollers (MCU) with specialized pulse-width modulator interfaces and integrated protection architecture allows a reasonable approach to reduce total system cost and increase overall performance.

This application note describes such a system based on the Motorola MC68HC908MR32 (MR32) motor control specific MCU, optoisolation, and power electronics.

A discussion of the MR32 MCU, hardware design of the control board, optoisolation interface, power electronics, and the required software to control a 3-phase induction motor is presented.



A Look at the MC68HC908MR32 Motor Control Microcontroller

The MR32 is a new member of the low-cost, high-performance M68HC08 (HC08) Family of 8-bit MCUs that are designed specifically for midrange motor control applications.

The Motorola HC08 Family of MCUs is an enhanced, upward object code compatible architecture that evolved from the M68HC05 (HC05) Family. All MCUs in the family use the enhanced HC08 central processor unit (CPU08) that includes new addressing modes, many new instructions, and the performance improvements to existing instructions that result from the introduction of instruction pipelining. MCUs in the HC08 Family are available with a variety of package types, input/output (I/O) modules, and various memory sizes and types.

Features of the MR32 motor control MCU include:

- High-performance M68HC08 (CPU08) architecture
- Fully upward-compatible object code with M68HC05, M146805, and M68HC(7)05 Families
- 8-MHz internal bus frequency
- 32 Kbytes of on-chip FLASH memory
- FLASH data security
- 768 bytes of on-chip random-access memory (RAM)
- 12-bit, 6-channel center-aligned or edge-aligned pulse-width modulator (PWMMC) module
- Serial peripheral interface module (SPI)
- Serial communications interface module (SCI)
- 16-bit, 4-channel timer interface module (TIMA)
- 16-bit, 2-channel timer interface module (TIMB)
- Clock generator module (CGM)
- Digitally filtered low-voltage inhibit (LVI)
- 10-bit, 10-channel analog-to-digital converter (ADC)

System protection features include:

- Optional computer operating properly (COP) reset
- Low-voltage detection with optional reset
- Illegal opcode detection with optional reset
- Illegal address detection with optional reset
- Fault detection with optional PWM disabling
- Low-power design, fully static with wait mode
- Master reset pin (RST) and power-on reset (POR)
- 64-pin plastic quad flat pack (QFP)

Some CPU08 features include:

- Enhanced M68HC05 programming model
- Extensive loop control functions
- 16 addressing modes (eight more than the HC05)
- 16-bit index register and stack pointer
- Memory-to-memory data transfers
- Fast 8 by 8 bit multiply instruction
- Fast 16/8 bit divide instruction
- Binary-coded decimal (BCD) instructions
- Optimization for controller applications
- Improved C language support

This application note does not discuss in great detail each of the I/O modules resident on the MR32. **Figure 1** shows a block diagram of the MR32. For a detailed description of the MR32, refer to *68HC908MR32, 68HC908MR16 Technical Data: Advance Information*, Motorola document order number MC68HC908MR32/D.

The MR32's PWMMC module and its protection features make the device an excellent choice for use in an embedded motor control system. A review of the PWMMC module and its features is included here.

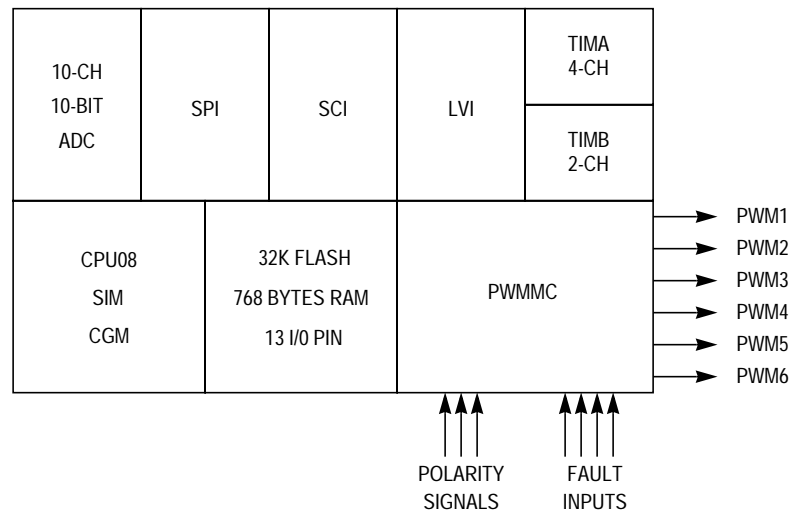


Figure 1. MC68HC908MR32 Block Diagram

MC68HC908MR32 Pulse-Width Modulator

The pulse-width modulator module (PWMMC) resident on the MR32 is specifically designed to provide pulse-width modulated outputs to drive a power stage connected to a dc servo, brushless dc, or 3-phase ac motor system. The PWMMC module can be partitioned and configured in several ways, depending on the specific motor control application. [Figure 2](#) shows a block diagram of the PWMMC module and is referenced throughout this explanation of the PWMMC generator.

Features of the MR32 PWM include:

- Three complementary PWM pairs or six independent PWM signals
- Complementary mode features include:
 - Dead-time insertion
 - Separate top/bottom pulse-width correction via current sensing or programmable software bits
- Edge-aligned PWM or center-aligned PWM signals
- PWM signal polarity
- 20-mA current sink capability on all PWM outputs
- Manual PWM output control through software
- Programmable fault protection

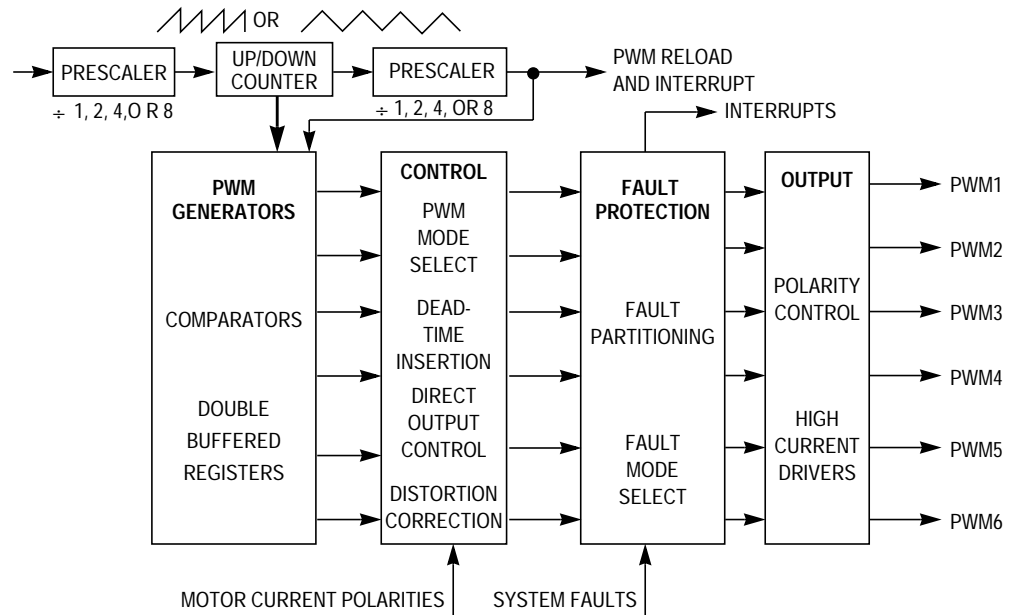


Figure 2. PWMMC Module Block Diagram

One of the most important features of the PWMMC is its ability to “shut itself down” when a system fault is detected. When dealing with a system that potentially could have hundreds of amps of peak current, reacting to faults such as overcurrent or overvoltage conditions is an absolute necessity. Fault protection is discussed here first. We then work our way from the outputs of the PWM inward. A discussion of the inputs to the PWM follows.

The six outputs of the PWMMC generator can be configured as individual pulse-width modulated signals where each output can be controlled as an independent output. Another option is to configure the outputs in pairs, with the outputs complementary or not, so driving complementary top and bottom transistors on a power stage becomes an easy task. The outputs of the PWMMC are capable of sinking up to 20 mA. That drive capability allows for direct drive of optocouplers without the need of additional drivers.

To prevent erroneous signals from being output from the PWMMC module while loading new values, the bulk of the registers are double buffered and new output is inhibited until a bit in a PWM control register, load okay (LDOK), is set, indicating it is okay to output the new values.

Fault Protection

Conditions can arise in the external drive circuitry, requiring that the PWM signals become inactive immediately. These conditions include overcurrent, overvoltage, overtemperature, or other error conditions. The four fault input pins on the MR32's PWMMC module can be configured to react in a number of different ways, upon the detection of a fault. Each fault input has its own interrupt vector. In all fault conditions, the output of the PWM generator is forced to a known inactive state.

A number of fault control and recovery options is available to the systems architect. In some cases, it may be desirable to selectively disable PWM(s) solely with software. Manual and automatic recovery mechanisms are available that allow certain acceptable fault situations to occur, such as starting a motor and using a fault input to limit the maximum startup current. The fault inputs can be partitioned if the MR32 is used to control multiple motors.

PWM Output Alignment

Depending on the system design, there is a choice between edge- or center-aligned PWM signals output from the MR32's PWM generator. The PWM counter uses the value in the timer modulus register to determine its maximum count.

In center-aligned mode, a 12-bit up/down counter is used to create the PWM period. The PWM resolution in center-aligned mode is two clock periods (highest resolution is 250 ns @ a processor speed of 8 MHz). The PWM period will be equal to:

$$[(\text{timer modulus}) \times (\text{PWM clock period}) \times 2].$$

In edge-aligned mode, a 12-bit up-only counter is used to create the PWM period. Therefore, the PWM resolution in edge-aligned mode is one clock (highest resolution is 125 ns @ a processor speed of 8 MHz). Again, the timer modulus register is used to determine the maximum count. The PWM period will be equal to:

$$[(\text{timer modulus}) \times (\text{PWM clock period})].$$

PWM Counter Timebase	To permit lower PWM frequencies, a prescaler is provided which will divide the PWM clock frequency by 1, 2, 4, or 8. This prescaler is buffered and will not be used by the PWM generator until the LDOK bit located in a PWM control register is set and a new PWM reload cycle begins.
PWM Load Operations	When generating sine waves to a motor, an interrupt routine is typically used to step through a sine table located in FLASH memory, scale that sine value, and output the result to the system from the PWM generator. The rate at which the sine table is scanned can be derived from an interrupt from the PWM generator. The PWM module can be programmed to provide an interrupt rate of every one, two, four, or eight PWM reload cycles.
Direct Output Control	In some cases, the user may desire to bypass the PWM generator and directly control the PWM outputs. A mechanism exists to disconnect the PWM generator from its outputs and directly control the six PWM outputs. When this mode is used, the PWM generator continues to run; however, its normal PWM output is disabled, overridden by direct output.
Dead-Time Insertion	<p>When the PWM generator is used in complementary mode, automatic dead-time insertion can be provided to prevent turning on both top and bottom inverter transistors in the same phase leg at the same time. When controlling dc-to-ac inverters, the top and bottom PWMs in one pair must never be active at any given time.</p> <p>CAUTION: <i>If the top and bottom transistors are turned on simultaneously, large currents will flow through the two transistors as they attempt to discharge the bus supply voltage. The transistors could be weakened or destroyed.</i></p> <p>Simply forcing the two PWMs to be inversions of each other is not always sufficient. Since a time delay is associated with turning off the transistors in the motor drive, there must be a “dead-time” between the deactivation of one PWM power transistor and the activation of the opposite transistor in a top and bottom pair.</p> <p>Dead-time can be specified in the dead-time write-once register. This 8-bit value specifies the number of CPU clock cycles to use for the dead-time.</p>

Motor Phase Current Polarity Sensing

Inserting dead-time to protect the top/bottom inverter transistors in a motor drive system is almost always a necessity for ac induction motors. However, inserting this dead-time does not come without a price. For instance, when dead-time is inserted, the motor voltage is allowed to float momentarily during the dead-time interval, creating distortion in the motor's current waveform. This distortion can be aggravated by dissimilar turn-on and turn-off delays in the top and bottom transistors.

Three current sensing input pins on the MR32 are labeled IS1–IS3. These inputs are sampled during the dead-time period. The user needs to provide current direction sensing hardware and feed the sensing hardware outputs into the IS1–IS3 inputs. The software then will compute compensated PWM values and place the two values in an odd/even PWM register pair. From the current direction sensing information, the PWM module automatically selects either the odd or even numbered PWM value register to be used by the PWM generator, thus greatly improving upon the sine wave output quality from the power stage.

System Hardware

The system consists of several printed circuit boards, power supplies and a 3-phase induction motor. This section contains a brief description of the individual printed circuit boards (PCB) that comprise the system.

WARNING: *The motor control system described in this application note is capable of operating at dangerous voltages and is capable of supplying high amounts of power to rotating machines. Power transistors, PFC coil, and the motor can reach temperatures hot enough to cause burns. To facilitate safe operation, the high-voltage input power to the power board should come from a current-limited dc laboratory power supply. Before moving test or oscilloscope probes, making connections, etc., it is generally advisable to power down the high-voltage power supply. When high voltage is applied, using only one hand for operating the test setup minimizes the possibility of electrical shock. Operation in laboratory setups that may have grounded tables and/or chairs should be avoided. Wearing safety glasses, avoiding ties and jewelry, and using shields also are advisable.*

MR32 Control Board

For a more detailed description of the MR32 control board, refer to *Motorola's Embedded Motion Control Series MR32 Control Board User's Manual* (Motorola document order number MEMCMR32CBUM/D) that comes with board (kit #ECCTR908MR32).

This document can also be downloaded from the web at <http://mcu.motsps.com/documentation/hc08/devhc08.html>. The control board is designed as an aid for hardware and software design of single, 3-phase, permanent magnet, brush and brushless dc motor drive applications.

The control board does not contain the MR32 microcontroller. The control board is designed to be directly connected to an MR32 EM (emulator) board, which is part of an MMDS/MMEVS emulation system connected by an impedance matched ribbon cable. A daughter board is designed to house the MR32 and will plug into the control board in place of the emulator cable. With the daughter board plugged into the control board, standalone operation of the system is possible.

Because this application note is intended for use with a 3-phase ac induction motor, only the circuitry resident on the MR32 control board pertaining to the 3-phase ac motor is discussed here. Applications of the control board with other types of motors are covered in additional application notes. **Figure 3** shows a complete block diagram of the control board.

Control board features include:

- Six motor control PWM outputs with LED indicators
- Speed control potentiometer
- Optoisolated half duplex RS-232 interface
- Start/Stop and forward/reverse switches
- Hall effect inputs (for brushless dc motor control)
- Back-EMF inputs (for brushless dc motor control)
- Tachometer input configuration jumpers
- 2-position DIP switch for user option control
- Emulator/Daughter board connectors
- Processor reset switch
- Two system fault inputs
- Nine analog inputs

- Three software-controlled LEDs
- On-board regulated power supply
- Motor I/O interface via a ribbon cable connector

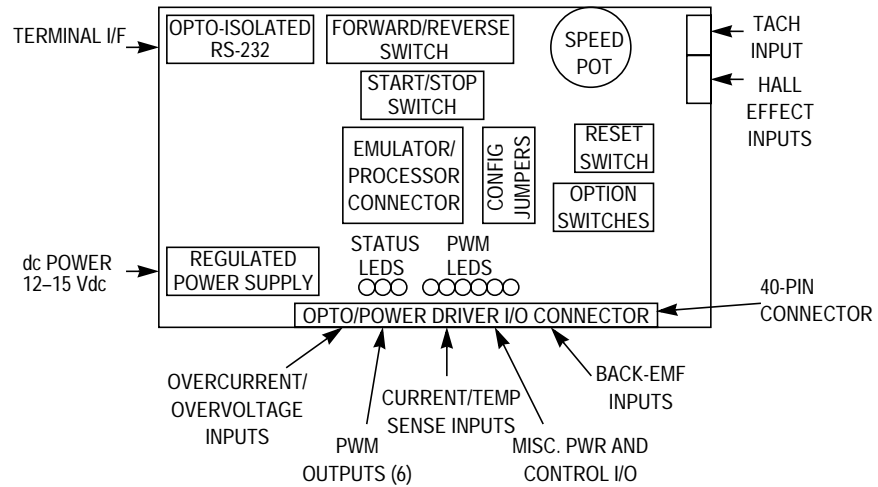


Figure 3. MC68HC908MR32 Control Board Block Diagram

For a better understanding of the control board, a description of some of its circuits follows.

Fault Inputs

Two system fault inputs to the control board are designed to protect the power stage: system bus overvoltage and system bus overcurrent. The input signals for these fault comparators originate from signals on the power board. If an optoisolation board is used in the system, these signals are optocoupled and transparently passed to the control board as an analog signal.

The comparator circuits provide digital signals to the MR32's fault 1 and fault 2 inputs, respectively. These faults, should one or both occur, will force the PWM generator into a known inactive state, protecting the power stage outputs. **Figure 4** is a schematic of the circuit used for both of the fault inputs. The potentiometer, connected to the inverting (–) input of the comparator, sets its threshold. When the input from the power board or optoisolation board exceeds the comparator threshold (voltage at the inverting input to the comparator), the respective fault input to the MR32 is driven to a logic 1, triggering a fault input to the PWM generator.

Adjusting the set-point of the potentiometer allows the user to vary the acceptable system bus current and bus voltage thresholds for fault generation. Approximately 20 mV of hysteresis is included in the circuit to aid with noise immunity.

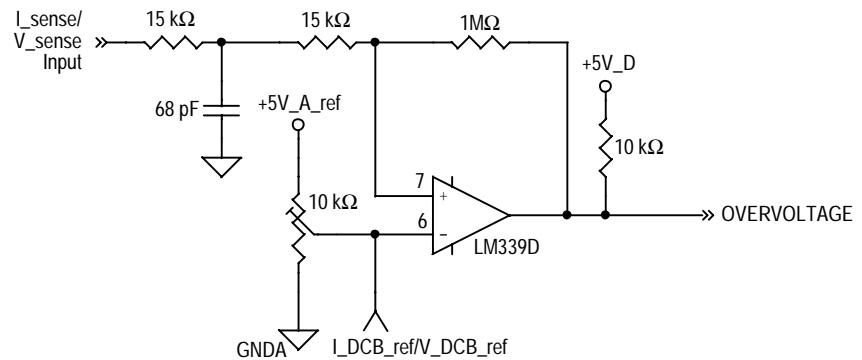


Figure 4. Fault Generation Circuit

Speed Sensing

One method used to establish the speed of a motor is to use the analog ac output signal from a tachometer generator that is connected to the shaft of the motor. A 16-pole tachometer is coupled to the shaft of the motor as shown in [Figure 19](#). The conditioned signal can then be carried into a timer interrupt on the MR32. The period between interrupts is used to calculate motor shaft speed.

The circuit in [Figure 5](#) is used to “square” the ac signal from the tachometer output into a digital signal acceptable to the timer interrupt input. The input of this circuit has a threshold of approximately 180 mV. Its input hysteresis is set at approximately 20 mV to aid with noise immunity.

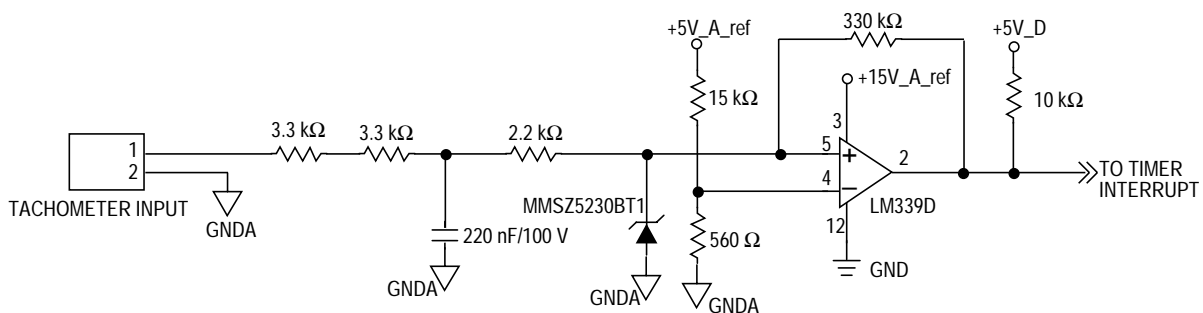


Figure 5. Tachometer Input Circuit

Optoisolated RS-232 Interface

In the event the control board is used in a system that does not use an optoisolation board between the control board and the power stage, connection to a computer terminal or PC could be dangerous. The circuit in [Figure 6](#) is the schematic of a half-duplex optoisolated RS-232 interface used on the MR32 control board. This isolated terminal interface provides a margin of safety between the motor control system and a computer terminal or PC.

The EIA RS-232 specification states the signal levels can range from 3volts to 25volts. A mark is defined by the EIA RS-232 specification as a signal that ranges from -3 volts to -25 volts. A space is defined as a signal that ranges from $+3$ volts to $+25$ volts. Therefore, to meet the RS-232 specification, signals to and from a terminal must transition through 0 volts as it changes from a mark to a space. Breaking the isolated RS-232 circuit into input and output sections makes a simpler explanation of the circuit.

To send data from a PC to the MR32 control board, it is necessary to satisfy the SCI input on the MR32. In the idle condition, the SCI input must be at a logic 1. To accomplish that, the transistor in U6 must be off. The idle state of the transmit data line (TXD) on the PC serial port is a mark (-3 V to -25 V). Therefore, the diode in U6 is off and the transistor in U6 is off, yielding a logic 1 to the SCI input. When the start bit is sent to the SCI from the PC's serial port, the PC's TXD transitions from a mark to a space ($+3$ V to $+25$ V), forward biasing the diode in U6. Forward biasing the diode in D3 turns on the transistor in U6, providing a logic 0 to the input of the SCI. Simply stated, the input half of the circuit provides input isolation, signal inversion, and level shifting from the PC to the MR32's SCI port. An RS-232 line receiver, such as an MC1489, serves the same purpose without the optoisolation function.

To send data from the MR32 control board to a PC serial port input, it is necessary to satisfy the PC's receive data (RXD) input requirements. In an idle condition, the RXD input to the PC must be at mark (-3 V to -25 V). The data terminal ready output (DTR) on the PC outputs a mark when the port is initialized. The request to send RTS output is set to a space ($+3$ V to $+25$ V) when the PC's serial port is initialized. Because the interface is half-duplex, the PC's TXD output is also at a mark, as it is idle. The idle state of the transmit data line (TXD) on the MR32's SCI

is a logic 1. The logic 1 out of the SCI's output port forces the diode in U7 to be turned off. With the diode in U7 turned off, the transistor in U5 is also turned off. The junction of D12 and D15 are at a mark (-3 V to -25 V). With the transistor in U5 turned off, the input is pulled to a mark through current limiting resistor R53, satisfying the PC's serial input in an idle condition. When a start bit is sent from the MR32's SCI port to the output of the MR32's SCI, output transitions to a logic 0. That logic 0 turns on the diode in U5, thus turning on the transistor in U7. The conducting transistor in U5 passes the voltage output from the PC's RTS output, that is now at a space ($+3\text{ V}$ to $+25\text{ V}$) to the PC's receive data (RXD) input. Capacitor C30 is a bypass capacitor used to "stiffen" the mark signal. The output half of the circuit provides output isolation, signal inversion, and level shifting from the MR32's SCI output port to the PC's serial port. An RS-232 line driver, such as an MC1488, serves the same purpose without the optoisolation function.

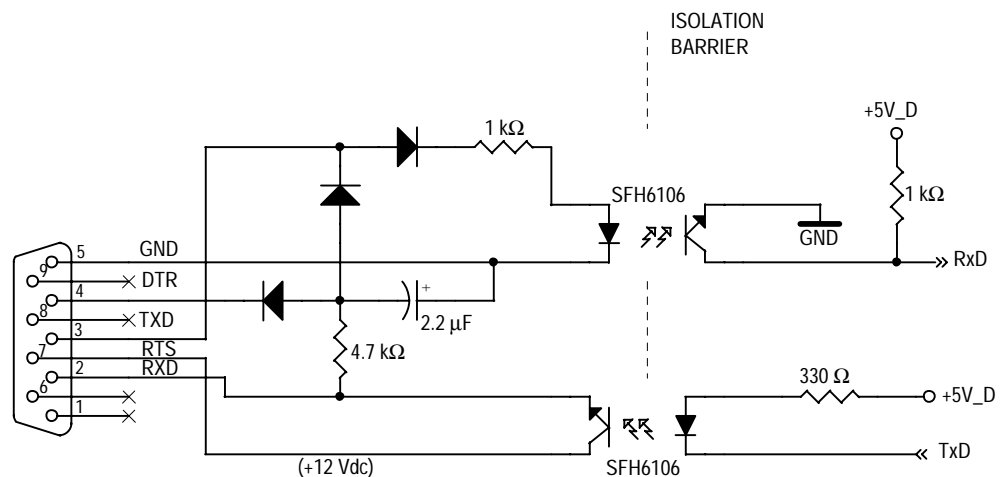


Figure 6. Optoisolated RS-232 Circuit

Back-EMF Zero-Crossing Detection

Back-EMF zero-crossing detection enables position recognition when controlling brushless dc motors. Sensorless brushless dc motor control is not discussed in this application note. Rather, refer to *Sensorless Brushless dc Motor Using the MC68HC908MR32 Embedded Motion Control Development System*, Motorola document order number AN1858/D, for more information.

To perform distortion correction when controlling a 3-phase ac induction motor, it is necessary to provide phase current polarity information to the MR32. That information is detected, signal conditioned on the power board, and passed transparently through the optoisolator board to the control board. The three zero-crossing signals from phases A, B and C are routed into the three input current sense IS1–IS3 inputs of the MR32. They are also routed to the back-EMF selection logic, shown in [Figure 7](#). The back-EMF selection logic is designed to provide an interrupt to the MR32 channel 2 of timer A upon each phase zero-crossing, provided the other input to the NAND gate is at a logic 1. The three open collector NAND gates shown in [Figure 7](#) (U7A, U7B, and U7C) are wire ORed such that any one of these outputs transitioning to a logic 0 will provide an interrupt to the MR32's timer A.

The system software uses the MUXA, MUXB, and MUXC inputs to the NAND gates to enable a particular phase to have an ability to interrupt the processor. During system operation, the software is aware of the window when a particular zero-crossing interrupt should occur for any given phase. MUXA, MUXB, and MUXC inputs to the NAND gates are enabled for each particular phase during its computed zero cross window. Using this technique, the system is more noise robust, eliminating noise glitches from triggering false interrupts outside of its particular “zero cross window.”

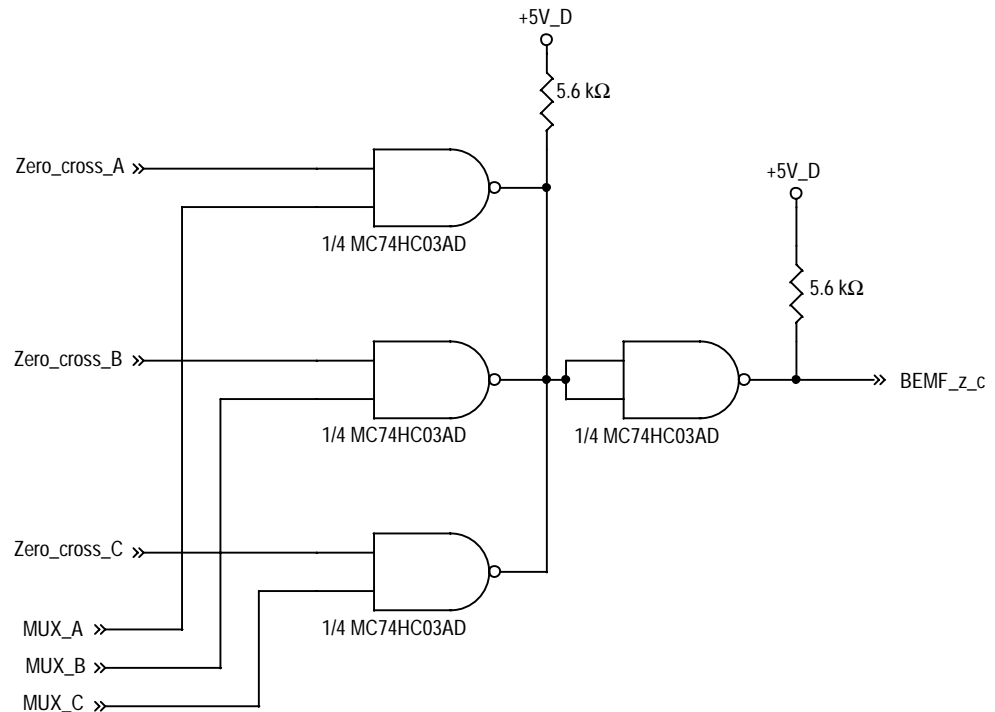


Figure 7. Zero Cross and Back-EMF Circuit

Optoisolation Board

The function of the optoisolation board is to provide a galvanic isolation barrier between the control board's I/O, both analog and digital, and the high-voltage system power board's I/O. These isolated signals, to and from the optoisolation board, are connected by two 40-pin ribbon cables. Pin assignments for both connectors are the same. Signal flow through the optoisolation board, in both directions, is a one-to-one relation of its source. For a more detailed description of the optoisolation board, refer to *Motorola's Embedded Motion Control Series Optoisolation Board User's Manual*, Motorola document order number MEMCOBUM/D. **Figure 8** shows a block diagram of the optoisolation board.

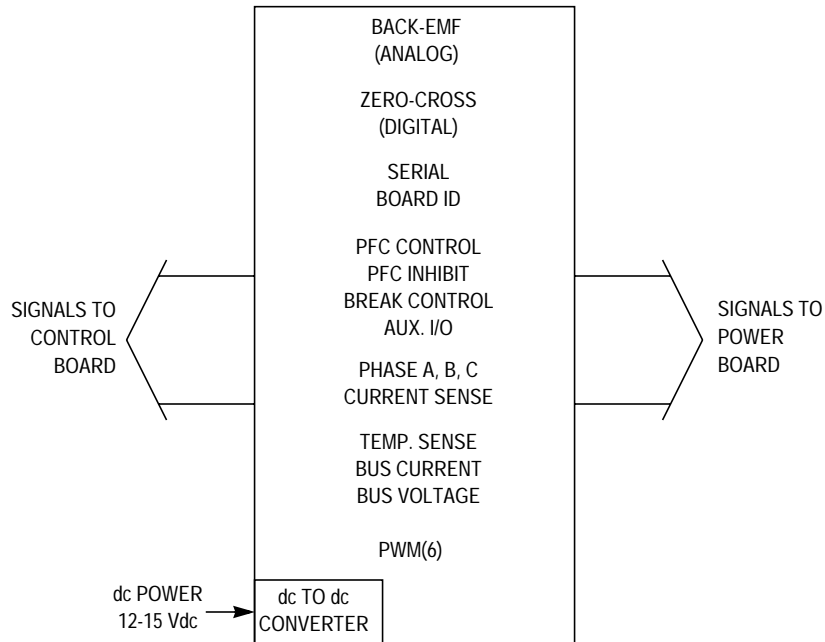


Figure 8. Optoisolation Board Block Diagram

Gate Drive

Gate drive signals, from the control board to the power stage, are passed from controller to the power stage through high-speed digital optocouplers. Analog feedback signals from the power stage to the controller board are passed through HCNR201 high-linearity analog optocouplers. Ground signals between the control board and power stage are separated by the optocouplers' galvanic isolation barrier.

Power requirements for the control board's circuitry are satisfied with a single external 12-Vdc power supply.

The power supply is connected to the optoisolation board and fed to the control board through the 40-pin ribbon cable connector. Excitation for the power stage side circuitry is supplied to the power stage through the 40-pin output connector located on the optoisolation board.

In addition to the usual motor control signals, an MC68HC705JJ7 serves as a serial link, which allows the controller board's software to identify the configuration of the optoisolation board and power stage boards and pass configuration information to the control board for processing and system configuration checking.

Optoisolation Board

The optoisolation board has a number of individual circuit blocks. The first circuit is a power supply block, supplying +5 Vdc, +3.3 Vdc, +15 Vdc, and -15 Vdc to the board. The power circuits are comprised of individual linear regulators. The next circuit is a digital optoisolation circuit. The last circuit is a linear optoisolation circuit. A discussion of the optoisolation blocks follows.

Digital Optoisolation Circuit

Figure 9 is a simplified schematic diagram of the basic design of the digital optoisolation circuit used on the optoisolation board. The circuits are used to couple several control signals from the control board to the power board. Those signals are the six PWM signals, one spare bidirectional optoisolation I/O, one PFC inhibit, one PFC PWM, and one motor brake control signal from the controller board to the power stage. Also, the optoisolation board is used to couple four digital feedback signals from the power board to the control board. Those signals are phases A, B, and C zero cross signals and a PFC zero cross signal.

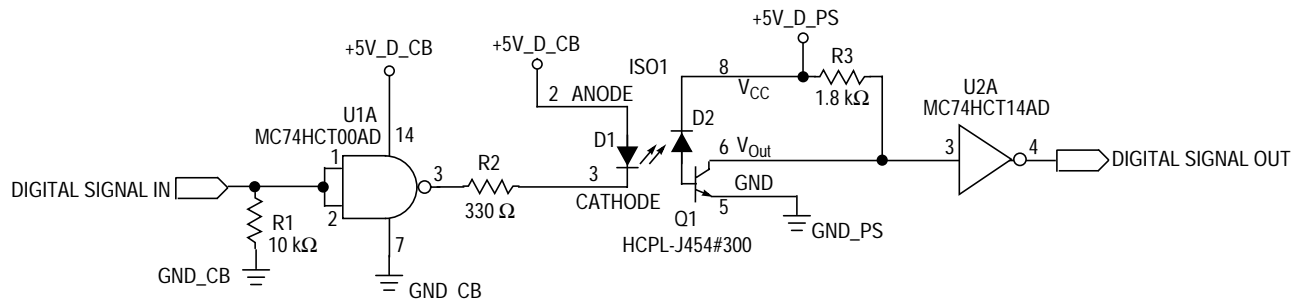


Figure 9. Digital Optoisolation Circuit

The digital isolation block is based on Agilent Technologies' HCPL-J454 high dv/dt coupler. A simplified schematic is shown in **Figure 9**. When the MR32 is reset, and until its I/O has been set up by the system software, in most cases, its outputs are three-stated. R1 sets a logic low in the absence of a signal. Open input pull down is important for gate drive signals, where it is desirable to keep power transistors off in case of either a broken connection or absence of power on the control board or until the I/O ports have been set up.

Next, NAND gate, U1A, inverts the input signal. Assuming a logic low at the input (across R1), U1A's output is high. With no forward bias on the input diode of the optocoupler, the optocoupler's output transistor is off, producing a logic high. This logic high is inverted by U2A to produce a logic low at the output. Conversely, when the input (across R1) is high, the output of U1A is low. Forward bias at the input of the optocoupler causes light to shine on the optocoupler's photodiode which produces a leakage current that flows into the optocoupler's base. With base current supplied, the optocoupler's transistor is on and the optocoupler's output is low. That low input into U2A causes the output of U2A to go high. The block as a whole, therefore, is non-inverting.

Analog Optoisolation Circuit

Figure 10 is a simplified schematic diagram of the basic design of the analog optoisolation circuit used on the optoisolation board. The circuits are used to couple several feedback signals from the power board to the controller board. Those signals are the phases A, B, and C current feedback, system bus current, and bus voltage, heatsink temperature and phase A, B, and C back-EMF signals.

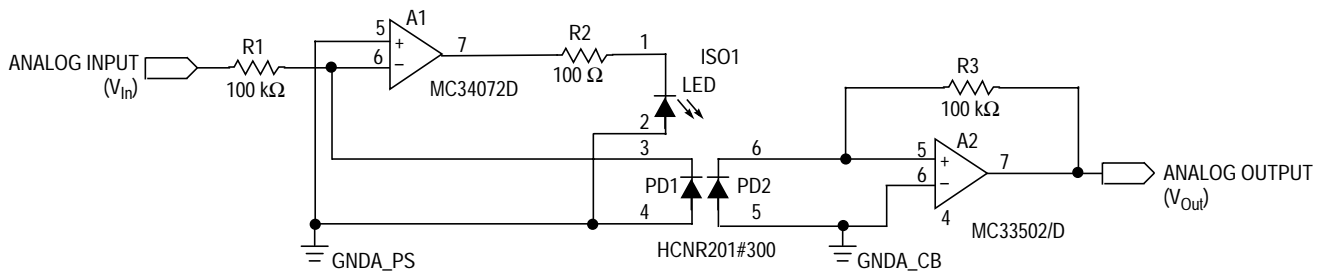


Figure 10. Analog Optoisolation Circuit

The analog isolation block is based on Agilent Technologies' HCNR201 high-linearity optocoupler. The HCNR201 consists of an LED and two photodiodes. The LED and one of the photodiodes (PD1) is on the input side of the optoisolation barrier, and the other photodiode (PD2) is on the output side. The package is constructed so that each photodiode receives approximately the same amount of light from the LED. Feedback amplifier, A1, is configured with PD1 to monitor the light output of the LED and automatically adjust LED current to compensate for any non-linearity. The output photodiode then converts a stable, linear light output of the LED into a current, which is then converted back into a voltage by amplifier A2.

Circuit operation may not be immediately obvious from inspecting **Figure 10**, particularly the input part of the circuit. Stated briefly, amplifier A1 adjusts LED forward current (I_F) such that the current in PD1 (I_{PD1}) is equal to $V_{In}/R1$.

Analysis of the input circuit reveals that increasing the input voltage increases the voltage at the inverting input terminal of A1. Amplifier A1 amplifies that increase, causing I_F and I_{PD1} to increase. Given the way that PD1 is connected, I_{PD1} will pull the inverting input of the op-amp back toward ground. A1 will continue to increase I_F until its inverting input voltage stabilizes near its ground reference voltage. Assuming that no current flows into the inputs of A1, all of the current flowing through R1 will flow through PD1. Since the inverting input of A1 is at approximately 0 volts, the current through R1, and therefore I_{PD1} , is equal to $V_{In}/R1$. Essentially, amplifier A1 adjusts I_F such that $I_{PD1} = -V_{In}/R1$. Note that I_{PD1} depends only on the input voltage and the value of R1 and is independent of the optocoupler's characteristics. Also note that I_{PD1} is directly proportional to V_{In} , giving a very linear relationship between the input voltage and the photodiode current.

The physical construction of the optocoupler's package determines the relative amounts of light that fall on the two photodiodes and, therefore, the ratio of the photodiode currents. This results in a current, I_{PD2} , that is very nearly equal to I_{PD1} . Amplifier A2 and resistor R3 form a trans-resistance amplifier that converts I_{PD2} back into a voltage, V_{Out} , where $V_{Out} = I_{PD2} * R3$. Combining input and output equations results in an expression that relates the output voltage to the input voltage, $V_{Out}/V_{In} = (R3/R1)$. Therefore, with $R1 = R3$, the output signal closely matches the input.

Power Stage

For a more detailed description of the 3-phase ac BLDC high-voltage power stage, refer to the *Motorola Embedded Motion Control Series 3-Phase BLDC High-Voltage Power Stage User's Manual*, Motorola document order number MEMC3PBLDCPSUM/D.

The function of the power stage is to provide the high-power drive circuitry for various types of motors. The power stage is suitable for driving ac induction, permanent magnet, and brush and brushless dc motors.

The power stage consists of a set of two printed circuit boards (PCB). One of the PCBs is a power module, containing power IGBTs (insulated gate bipolar transistors), a brake IGBT, a power factor corrector FET (field-effect transistor), and temperature-sensing diodes. The second PCB contains IGBT drive circuits, analog signal conditioning, low-voltage power supplies, power factor control circuitry, and an MC68HC705JJ7 microcontroller used for board configuration and identification. **Figure 11** shows a complete block diagram of the power module.

Power module features include:

- 1-phase bridge rectifier
- Power factor switch and diode
- dc-bus brake IGBT and brake current limiting resistors
- 3-phase bridge inverter (six IGBTs)
- Individual phase and dc bus current sensing shunt resistors with Kelvin connections
- Power stage temperature sensing diodes
- IGBT gate drivers
- Current and temperature signal conditioning
- 3-phase back-EMF voltage sensing and zero cross detection circuitry
- Board identification processor (MC68HC705JJ7)
- Low-voltage on-board power supplies
- Cooling fans

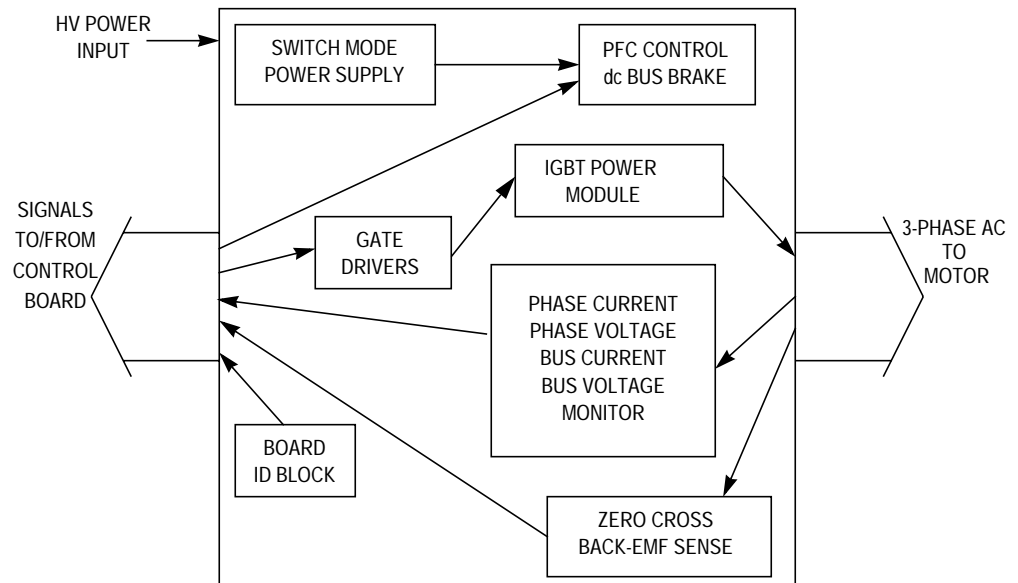


Figure 11. Power Module Block Diagram

For a better understanding of the power stage, a description of several of its circuits follows.

Power Switch Driver Circuitry

Figure 12 is a schematic diagram of the basic design of the power switch driver circuitry. The IGBT drivers, IR2112S, provide control of the power IGBT power switches by shifting and transforming the PWM logic level control signals to the levels necessary to control the power switches.

The turn-on time of the IGBT power switch is controlled by resistors R401 and R402 which are connected to the power switch gates. Diodes D402 and D404 aid in a fast turn off of the IGBT power switches by providing a low-impedance path back to the IR2112S to discharge the power switch's gate. D401 protects the power supply and any other circuits connected to it by preventing high voltage that could flow out of the VB power input (pin 7) to the IR2112S.

If an overcurrent situation should occur, the overcurrent circuit on the power module will supply a shut down signal to the IR2112S, turning off its outputs, thus protecting the power switches. At the input, pull down resistors, R403 and R404, set a logic low in the absence of a signal. Open input pull down is important for gate drive signals, where it is desirable to keep power transistors off in case of either a broken connection or absence of power on the control board.

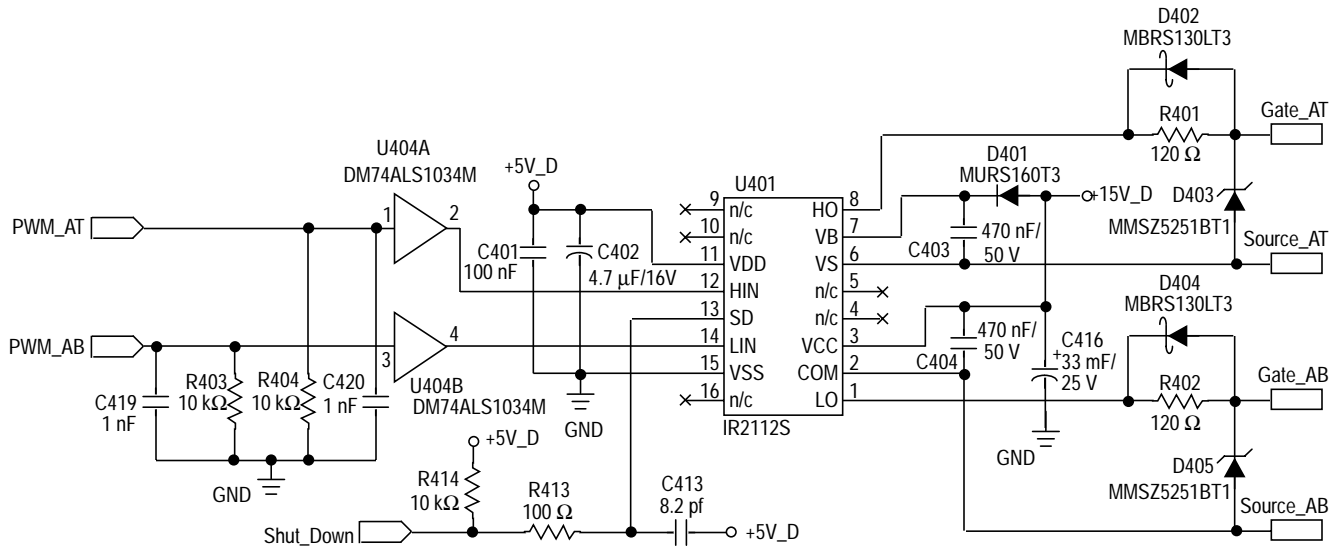


Figure 12. IGBT Driver Circuit

dc Bus Signal Conditioning

Phase currents and dc bus are measured by sensing the voltage drop across sensing shunt resistors located on the power module. [Figure 13](#) is a schematic diagram of the design of the dc bus analog signal conditioning circuit. The output voltage of the amplifier is proportional to the sensed currents. The input to the circuit in [Figure 13](#) is derived across a 0.075-Ω shunt resistor connected in series with the particular current being measured. The input signal to the amplifier is multiplied times 7.5 and then the output of the amplifier is shifted up by a 1.65-volt reference. The final output of the circuit is ± 1.65 volts with an input current of ± 2.93 amps passing through the 0.075-Ω shunt resistor.

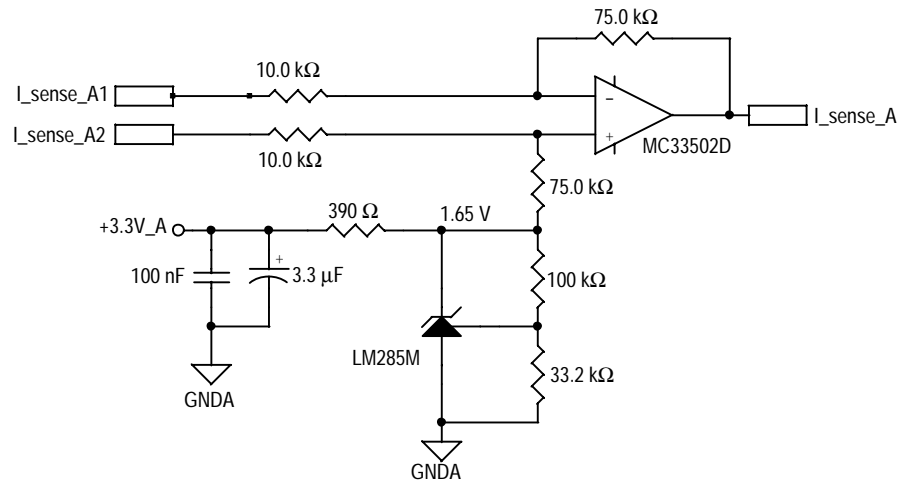


Figure 13. Bus Current Sensing Circuit

**dc Bus
Overcurrent
Detection**

Excessive dc bus current can destroy the power transistors on the power stage. Including overcurrent protection circuitry in a design is a wise choice, if not an absolute necessity. **Figure 14** is the schematic of the dc bus overcurrent detection circuit. The input signal to this circuit is a 0.075-Ω resistor, placed in series with the dc bus and amplified by the same type circuit as shown in **Figure 13**. The output of this circuit shown in **Figure 14** drives the shut down input to the IR2112S's IGBT drivers. Whenever the overall bus current exceeds ± 2.82 amperes, the IR2112S's outputs are disabled.

CAUTION: *Excessive dc bus current can destroy the power transistors on the power stage.*

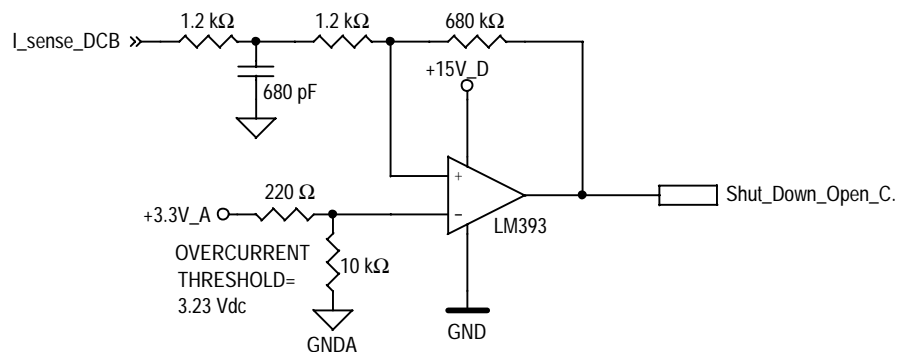


Figure 14. dc Bus Overcurrent Detection Circuit

Temperature Sensing

It is a good idea to keep track of the temperature of the power module. The circuit shown in **Figure 15** is a schematic of the temperature circuit used to monitor temperature. A silicon diode has a temperature coefficient of approximately $-2.2 \text{ mV/degree Centigrade}$. The forward bias voltage of a silicon diode is approximately 0.6 volts. Therefore, the circuit shown in **Figure 15** will output approximately 2.4 volts at 25°C and decrease at a slope of approximately $-8.8 \text{ mV/degree Centigrade}$. Using this information, it is apparent that the temperature of the power module can be monitored easily for over-temperature conditions. The output of this temperature sensing circuit is connected to an analog optoisolation circuit. From the analog optoisolation circuit's output, it is connected to the control board's Temp_sense input and routed to the MR32's A/D (analog-to-digital) converter input.

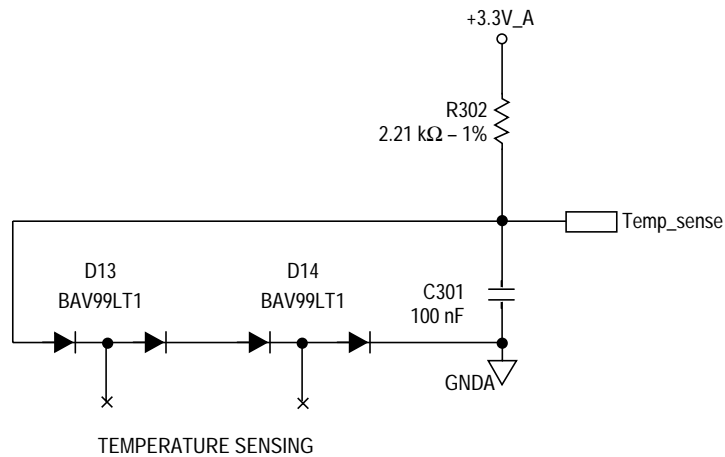


Figure 15. Temperature Sensing Circuit Schematic

dc Bus Brake

Under certain operating conditions, a motor can act as a generator, delivering high voltage back into the dc bus through the inverter's power switches and/or the power switch source-drain recovery diodes. That is a very undesirable condition and can damage the power transistors and other components in the inverter. The excess energy must be dissipated; otherwise, the dc bus voltage will rise above a safe limit. The power module contains an IGBT and current limiting resistors, placed across the dc bus to act as a dc bus brake and dissipate the excess energy. **Figure 16** is a schematic of the dc bus brake control circuitry. When using the brake, care must be taken to not exceed the power dissipation of the brake transistor and its current limit resistors. Provisions are made on the power board for the user to install an additional brake resistor across the one composed of R6–R9, allowing for additional bus brake current to be imposed on the system. Again, care must be taken not to exceed the ratings of the IGBT brake transistor when an additional brake resistor is installed in the system. Typically, the system software will pulse-width modulate the brake to dissipate the excess voltage until it is brought down to an acceptable level.

CAUTION: *Under certain operating conditions, a motor can act as a generator, delivering high voltage back into the dc bus through the inverter's power switches and/or the power switch source-drain recovery diodes. This can damage the power transistors and other components in the inverter.*

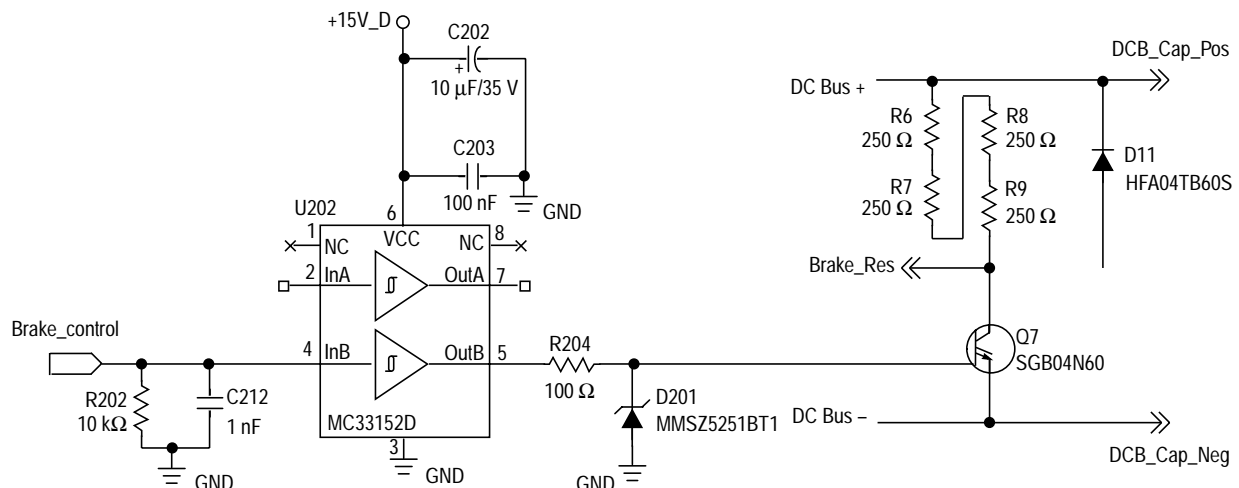


Figure 16. dc Bus Brake Circuit Schematic

dc Bus Voltage Divider

The system software monitors a number of analog parameters when the motor is running. Those parameters include the dc system bus voltage and the three individual phase voltages. In all four cases, the high voltage is divided down to a level within the measurable range of the MR32's A/D converter.

Figure 17 is a schematic of the voltage divider used for monitoring the dc bus voltage. The signal labeled V_sense_DCB_5 is the divided down dc bus voltage that is fed to A/D of the MR32 either directly or via the optoisolator board when one is utilized in the system. The signal labeled V_sense_DCB_half_15 is used as a reference for the individual phases A, B, and C zero cross detection circuits.

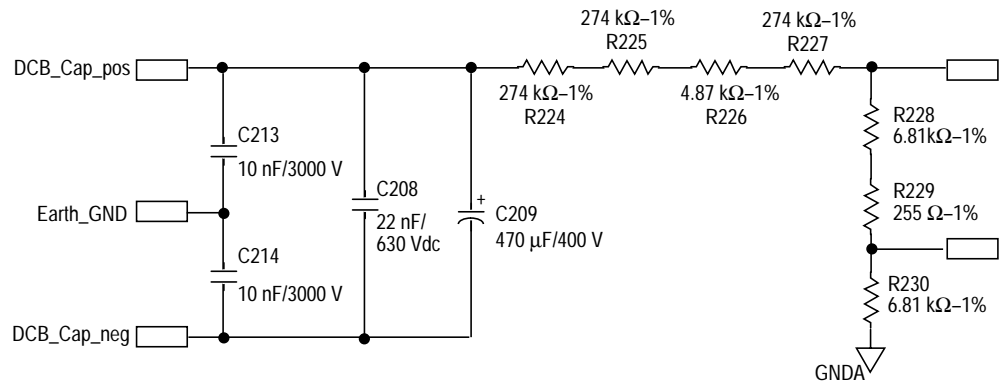


Figure 17. dc Bus Voltage Sensing Circuit

Individual Phase Voltage Divider

In a similar fashion to the dc bus sensing circuit shown in **Figure 17**, the individual phase A, B, and C voltages are divided down to match the input level of the A/D. **Figure 18** shows a schematic of the voltage divider for phase A. There are additional circuits for voltage monitoring and zero cross detection of phases B and C. This technique allows sensing of the back-EMF from the motor. The individual phase voltage signals are fed to separate A/D inputs of the microcontroller either directly or via the optoisolator board if it is utilized in the system. The signal shown is labeled BEMF_sense_A (BEMF_sense_B or BEMF_sense_C, depending on the particular phase signal). An additional function of the circuit shown in **Figure 18** is to detect zero-crossing of phases A, B, and C. Note that the inverting input of the

comparator is set by a reference from the dc bus divider (V_sense_DCB_half_15). Using the dc bus divider as a reference, when phase A,B or C phase voltages reach 50 percent of the dc bus signal, corresponding to the phase zero cross point, the output of the comparator will transition from a logic 0 to a logic 1. That transition is used for distortion correction information to the IS1–IS3 inputs of the PWM generator and as an input to the zero cross widow logic for zero cross interrupt generation.

In the case of an ac induction motor, this zero cross circuit provides the phase current polarity signals needed as inputs for use by the dead-time compensation algorithm.

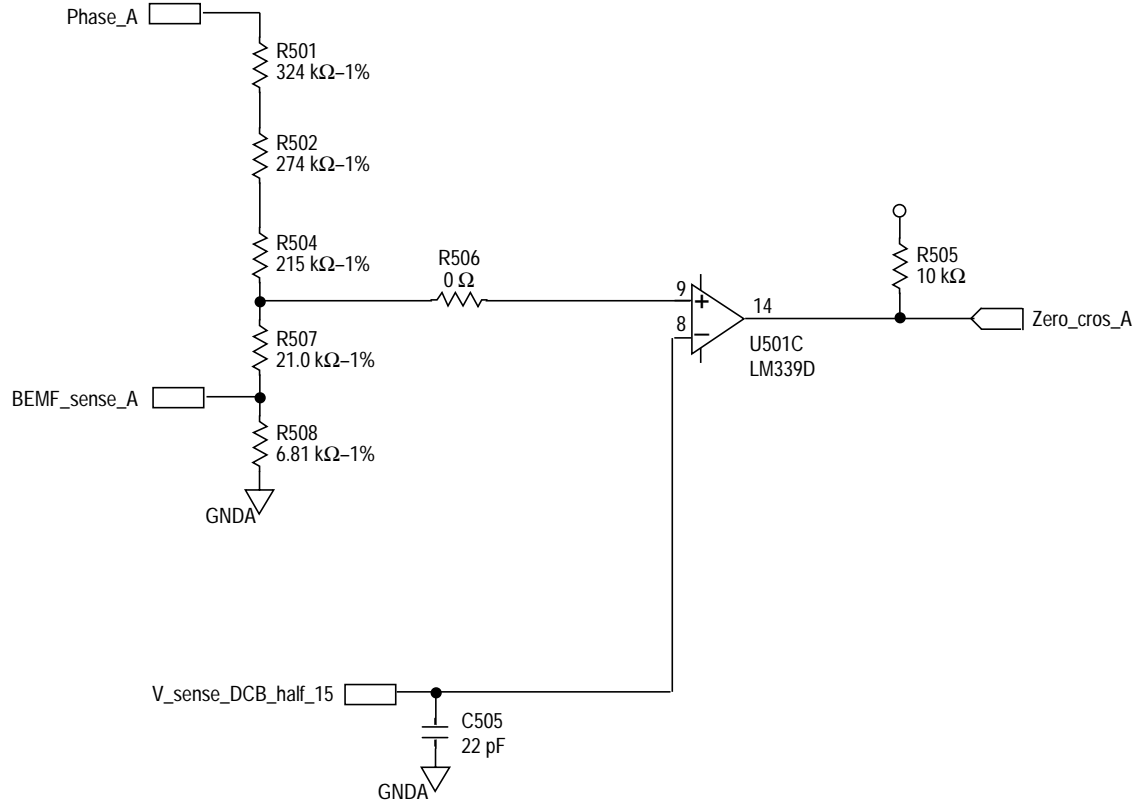


Figure 18. Back-EMF and Zero Cross Detection Schematic

Power Factor Correction

Power factor correction control (PFC) circuitry provides control of the PFC switch and handles the necessary feedback to provide a sinusoidal power line current. The capability of PFC can be enabled or disabled by changing a jumper configuration on the power module. The jumper can be found in proximity to the dc bus capacitor. The objective of the PFC hardware and software is to draw sinusoidal current from the ac main supply power in an attempt to approach as close as possible a unity power factor. The circuitry on the power board is a boost power supply, controlled by the MR32 on the control board. Without PFC, the current from the ac main supply tends to draw current at the peak of the ac sine wave.

Describing the control of the PFC circuitry exceeds the scope of this application note. A forthcoming application note will describe PFC control in detail.

3-Phase Motor Control System Configuration

Figure 19 is a block diagram of the complete 3-phase motor control system configuration with an MMDS05/08 emulation system and PC workstation. An optional PC, connected to the MR32 control board, is shown. The optional PC can be used to communicate control system parameters to the system via software running on the control board. The system may be exercised in standalone mode, without the MMDS05/08 emulator and PC workstation, by placing a programmed MR32 into the daughter board and plugging it into the control board in place of the MMDS05/08 emulator system.

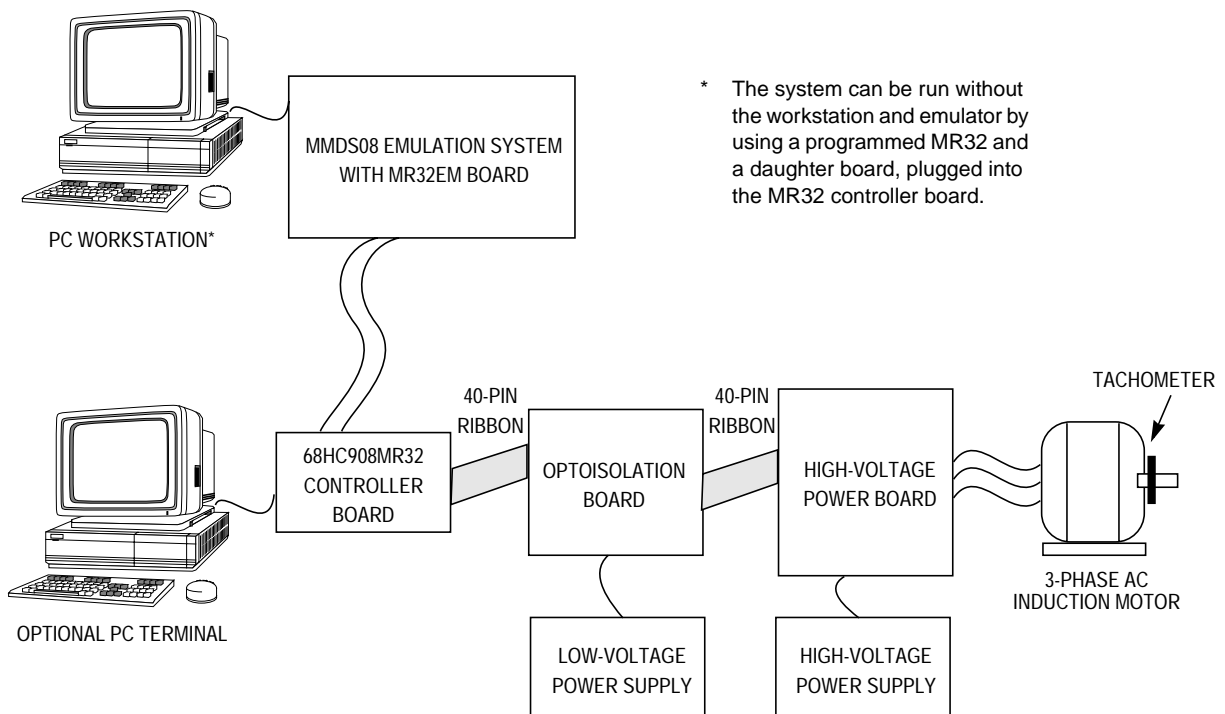


Figure 19. 3-Phase Motor Control System Block Diagram

Software

The software written for the system controls a 3-phase ac induction motor. The system software includes power factor correction software and PC-Master communication capability. Using a potentiometer located on the control board as the motor's speed setting, a tachometer feedback scheme is used to close the speed control loop, using a PI loop control algorithm.

Basic features of the control software are:

- Controlled acceleration and deceleration
- Speed in the range of 0 to 3000 rpm
- Drive can run clockwise or counterclockwise.
- Speed sensed by a tachometer/generator
- PWM frequency of 16 kHz
- dc bus voltage protected by use of a dc bus brake

Features of the PC-Master communication software include:

- Ability to read/write any RAM (random-access memory) variable
- Read any ROM (read-only memory) variable
- Execute PC-Master commands

Features of the power factor correction software include:

- Automatic calibration of the control PFC loop
- Automatic input voltage detection 110 V/60 Hz and 230 V/50 Hz

Software Design

This section describes the design and functionality of the system software that executes in the MMDS05/08 emulator system or in a programmed MR32, resident on a daughter board, plugged into the control board.

PC-Master

PC-Master communication software is intended to be used as an aid in developing motor control software. All of the required actions of the motor control software are manipulated by the operator when using the PC-Master software. The PC-Master software executes on a PC that is connected to the isolated RS-232 serial port on the control board. The PC-Master software executing on a PC uses Microsoft Internet Explorer as a user interface to the PC.

A small program is resident in the MR32 that communicates with the PC-Master software to parse commands, return status information to the PC, and process control information from the PC.

The actions controlled by the PC-Master are:

- Start/Stop control
- Motor speed setpoint
- Reset the drive system
- Motor rotation direction control (CW/CCW)

Variables read by the PC-Master software as a default and displayed to the user are:

- Required speed
- Actual motor speed
- dc bus voltage
- Power module temperature
- Display system status and error flags

For the latest information regarding the PC-Master software, refer to the Motorola, Semiconductor Products Sector, Motor Control web page:
<http://motorola.com/semiconductors/motor>.

For the latest application note software, refer to the following web links:
http://www.mcu.motps.com/dev_tools/appsw.html
<http://motorola.com/semiconductors/motor>
<http://motorola.com/semiconductors>

System Software

The motor drive can be controlled in two ways.

- In the manual operation mode, speed is set by the potentiometer, start/stop and forward/reverse controls are mounted on the control board.
- In the PC-Master mode of operation, all motor drive control is performed from commands from a PC connected to the control board.

The motor control software monitors the state of the sensors as they are periodically scanned in the software timer loop, while the speed of the motor is calculated utilizing the input capture interrupt. Whenever the motor is running, a green LED located on the control board will illuminate. According to the operational mode setup and state of the control signals (start/stop switch, forward/reverse switch, speed potentiometer), the speed command is calculated using an acceleration/deceleration ramp. The comparison between the actual speed command and the tachometer speed generates a speed error. The speed error is passed to the speed PI controller generating a new corrected motor frequency. Using a V/Hz ramp, the corresponding

voltage is calculated. The PWM generation process calculates a system of 3-phase voltages of the required amplitude and frequency that includes dead-time. The 3-phase PWM motor control signals are then output to the power stage.

The dc bus voltage and dc bus current are measured during the control process. They are used for overvoltage and overcurrent protection of the drive. The overvoltage protection is performed by software while the overcurrent fault signal utilizes a fault input of the microcontroller.

If any of the aforementioned faults occur, the motor control PWM outputs are disabled to protect the drive. The system fault state also is displayed. These faults, depending on the operating mode of the system, are output to the LEDs on the controller and/or the PC terminal connected to the control board.

The design of the system requires the system software to take some values from the user interface and sensors, processes them, and generates 3-phase PWM signals for motor control.

The control algorithm for a close loop ac drive is described in [Figure 20](#). It consists of processes described in following subsections. Special attention is given to the subroutine's 3-phase PWM calculation and volts per hertz control algorithm. Also, initialization of the microcontroller is described.

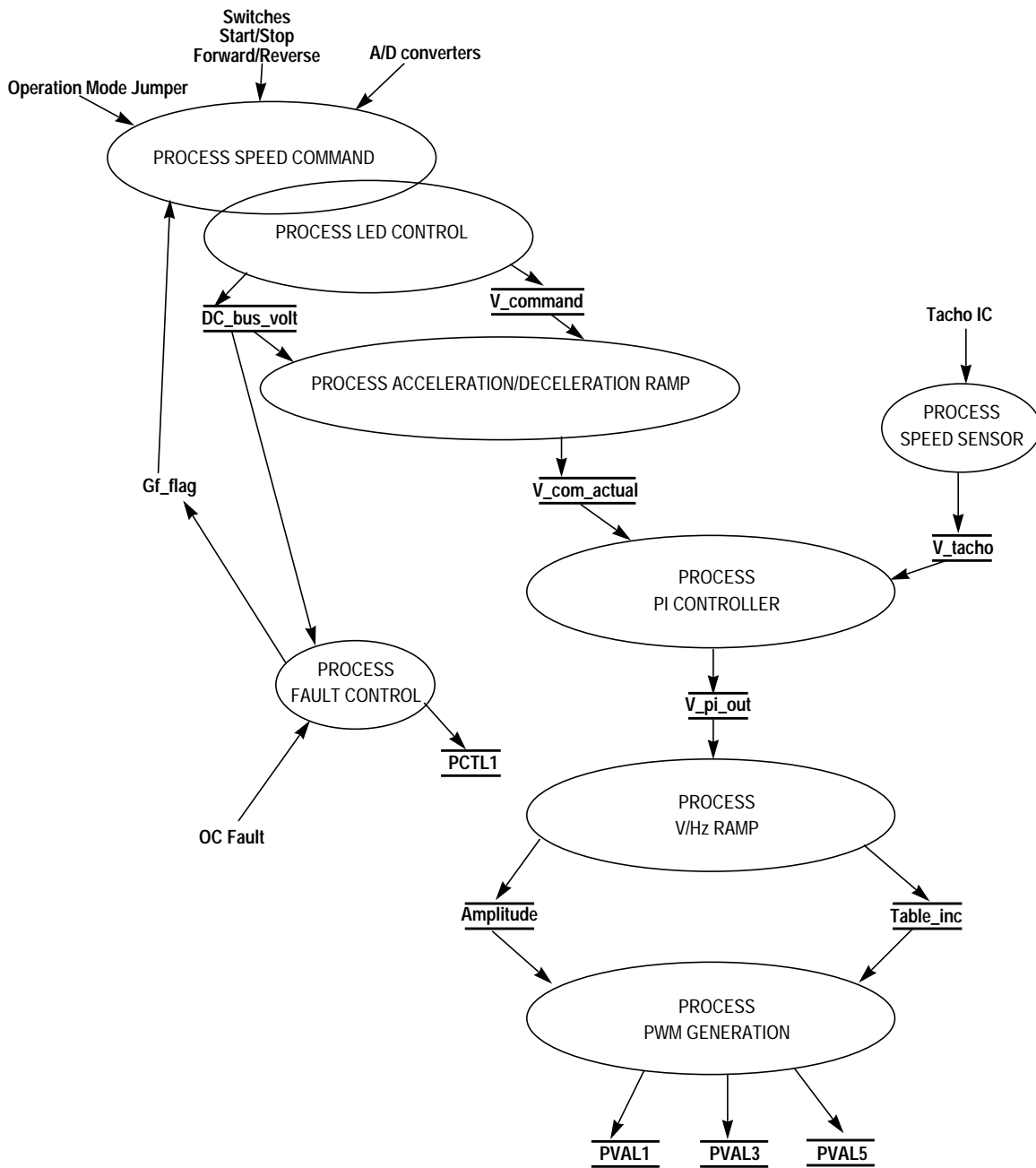


Figure 20. Data Flow

When the MR32 is reset, the software configures the various system I/O. The forward/reverse switch, start/stop switch, and dc bus voltage are checked, and the speed potentiometer's value is input. A yellow LED located on the control board is illuminated when the system is ready. The identification of the connected boards (optoisolator and power boards) is checked. The default operation mode is set to manual. The PC-Master operation mode can be set by the PC-Master command. The PFC algorithm is initialized. After the initialization is passed, the fault flag (failure) is tested for any system faults. Anytime a fault is detected in the system, a red LED located on the control board will illuminate. The system name for dc bus voltage is `Out_volt_new`. The value input from the speed pot is labeled `Pot_voltage`.

The input parameters of the process are evaluated and the speed command `V_command` is calculated accordingly. Also, the dc bus voltage, named `dc_bus_volt`, is measured. The general fault `Gf_flag` is analyzed and the state of the drive is set. The drive state diagram is shown in [Figure 21](#). The status LEDs are controlled according to the system state.

The calculated speed command `V_command` is a 2-byte variable with the format (1 Hz = 0x0100). The upper byte represents the integer portion and the lower byte represents the fractional portion of the value. This format is kept through all the program for all the speed variables.

The system software calculates a new speed based on the requested speed, according to the acceleration/deceleration ramp.

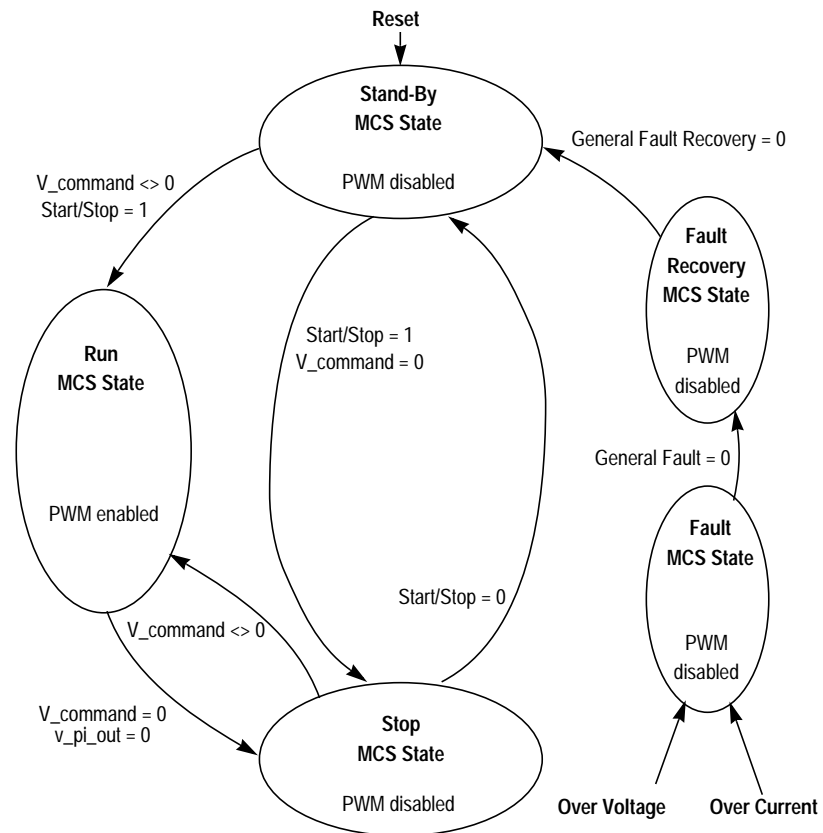


Figure 21. Drive State Diagram

During deceleration, the motor can work as a generator. In the generator state, the dc bus capacitor is charged and its voltage can easily exceed its maximum voltage. Therefore, the dc bus voltage is measured and compared with a limit. In case of deceleration overvoltage, the deceleration is interrupted and the motor runs with constant speed to discharge the capacitor down to an acceptable limit. Deceleration can then continue. During deceleration, depending on the input line voltage, the PFC algorithm is either turned off or the dc bus voltage controlled by the PFC is reduced to 340 volts.

The speed sensor process utilizes the MR32's input capture interrupt function. The circuit in [Figure 5](#) signal conditions the motor's tachogenerator output. The input capture interrupt reads the time between the rising edges of the speed sensor's output and calculates the actual motor speed V_{tacho} . A software filter of the speed measurement can be incorporated in the process for better noise immunity. In this case, the actual motor speed is calculated as an average value of several measurements.

The general principle behind a PI control loop is shown in [Figure 22](#). The speed closed-loop control is characterized by the measurement of the actual motor speed. This information is compared with the reference set point, and the error signal is generated. The magnitude and polarity of the error signal corresponds to the difference between the actual and the required speed. Based on the speed error, the PI controller generates the corrected motor frequency to compensate the error and accomplish the required motor speed.

This PI process takes the two input parameters: actual speed command V_{com_actual} and actual motor speed measured by a tachogenerator V_{tacho} . The PI controller then calculates the speed error and performs the speed PI control algorithm.

The output of the PI controller is a frequency of the fundamental sine wave to be generated by the inverter, V_{out} .

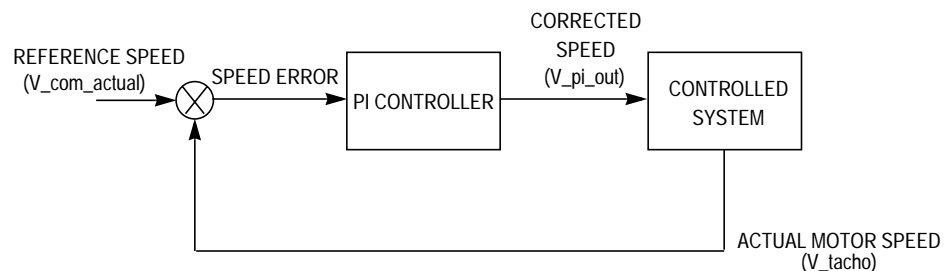


Figure 22. Closed Loop Control

The drive is designed as a constant volts-per-hertz drive. This means the control algorithm keeps the magnetizing current (flux) of the motor constant by varying the stator voltage with frequency. The ratio of voltage divided by frequency is constant during the linear portion of the profile. The commonly used volts-per hertz profile of a 3-phase ac induction motor is illustrated in [Figure 23](#).

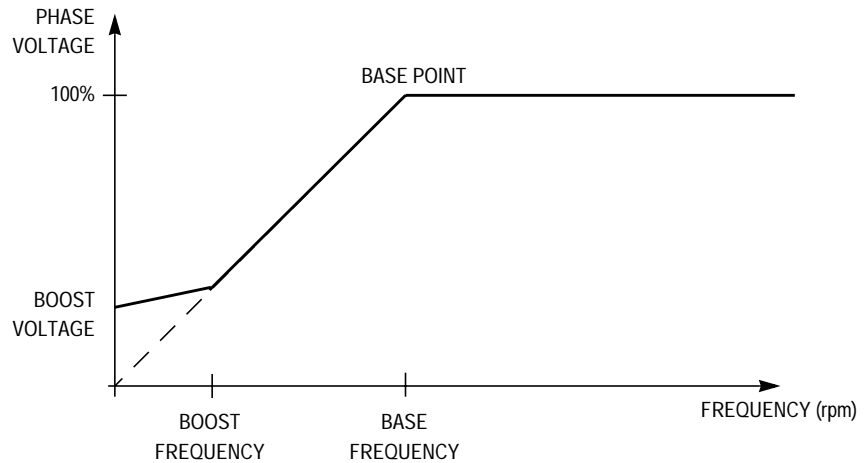


Figure 23. Volts-per-Hertz Ramp

The volts-per-hertz profile is defined by these parameters:

- Base point — Defined by base frequency (usually 50 Hz or 60 Hz)
- Boost — Defined by boost voltage and boost frequency

The ramp profile fits the specific motor and can be easily changed to accommodate different ones.

This software function, RAMP.C, provides voltage calculation according to a V/Hz ramp. The input of this software function is the generated inverter frequency V_{out} .

Parameters required by the PWM generation process are the output of this software function:

- Table increment `Table_inc` that corresponds to the frequency V_{out} and is used to roll through the wave table to generate the output inverter frequency
- `Amplitude` of the generated inverter voltage

The process of sine wave generation provides 3-phase sine waves, each shifted by 120 degrees relative to each other. The sine waves can be pure sine waves or they may include a third harmonic component.

The calculation is based on the wave table stored in the MCU's ROM. The table describes either a pure sine wave or sine wave with the third harmonic added. The second case is often preferred because it allows generation of a first harmonic sine voltage equal to the input ac line voltage. Because of quarter wave symmetry, only one quadrant of the wave period is stored in the table. The wave values for other quadrants are calculated from the first one. The format of the stored wave table data is from 0x00 (for 0 voltage) up to PWM modulus/2 (for the 100 percent voltage). Thus, the proper data scaling is secured.

NOTE: *It is important to note that 50 percent PWM (or 50 percent of PWM modulus loaded to the corresponding PVAL registers) corresponds to the zero phase voltage. But in the wave table, the ZERO phase voltage corresponds to the number 0x00. Therefore, the fetched wave value from the table must be added to the 50 percent PWM modulation for quadrants 1 and 2 or subtracted from the 50 percent PWM modulation for quadrants 3 and 4 (see point 5 of the process description that follows). Thus, the correct PWM value is loaded.*

The input parameters of the PWMCALC.C are:

- Table increment `Table_inc` that is used for the wave pointer update
- `Amplitude` of the generated inverter voltage

The output parameters of the process are:

- PWM value for phase A — PVAL1 register
- PWM value for phase B — PVAL3 register
- PWM value for phase C — PVAL5 register

The process can be described by following these points:

Phase A

1. Wave pointer for phase A is updated by the `TableIncrement`.
2. Based on the wave pointer, the required wave quadrant is selected.
3. The quadrant pointer is calculated from the wave pointer with respect to the related quadrant.
4. The table value to be determined by the quadrant pointer is fetched from the wave table.
5. The table value is added to (or subtracted from) the 50 percent modulus with respect to the related quadrant.
6. The result is loaded to the PVAL1 register; PVAL2 register is loaded automatically because of complementary PWM mode selected during the PWM module initialization.

Phase B

1. The phase B wave pointer is calculated as phase A wave pointer +1/3 of the wave period (1/3 of `0xffff` equals `0x5555`), which is equivalent to 120 degrees.
2. See corresponding points of the phase A calculation steps 2 through 5.
3. The result is loaded to the PVAL3 register; PVAL4 register is loaded automatically because of complementary PWM mode.

Phase C

1. The phase B wave pointer is calculated as phase A wave pointer +2/3 of the wave period (1/3 of `0xffff` equals `0xaaaa`), which is equivalent to 240 degrees.
2. See corresponding points of the phase A calculation steps 2 through 5.
3. The result is loaded to the PVAL5 register; PVAL6 register is loaded automatically because of complementary PWM mode.

The process is accessed regularly in the rate given by the set PWM frequency and the selected PWM interrupt prescaler (register PCTL2). This process has to be repeated often enough compared to the wave frequency to generate the correct wave shape. Therefore, for a 16-kHz PWM frequency, it is called every fourth PWM pulse and thus the PWM registers are updated at a 4-kHz rate (250 μ s).

In the event of a system fault, it is important to note that the software services the event in a timely manner. The software accommodates two fault inputs, overcurrent and overvoltage.

Overcurrent — In case of overcurrent, the external hardware provides a rising edge on the fault input of the microcontroller's FAULT2 input through the circuit described in [Figure 4](#). This signal disables all motor control PWM's outputs (PWM1 through PWM6) and sets general fault flag `Gf_flag`. The `Over_current_flag` is set in the failure register used by the PC-Master control interface.

Overvoltage — The sensed dc-bus voltage is compared with a limit within the software. In case of overvoltage, all motor control PWM outputs are disabled by the software setting bits in the microcontroller's PWM control register (PCTL1) and setting a bit in the general fault flag `Gf_flag`. The `Over_voltage_flag` is set in the failure register used by the PC-Master control interface. The overvoltage fault is set only if the motor is braking (in generator mode). In motor mode (the motor supplies power to the load), if the overvoltage occurs, PFC is disabled; the overvoltage failure is not detected and the motor is not blocked. It should be noted that the PFC output voltage operates very close to 400 volts, which is the overvoltage limit. The regulation overshoot would cause the overvoltage failure when PFC is running. Therefore, the overvoltage is blocked when PFC is running.

If any of these faults occur, the fault LED will flash. The system remains disabled until the fault is cleared by switching the START/STOP switch to the STOP position and then to the START position or the fault can be cleared by the PC-Master by setting the `ERROR_CLEAR_PMFLG` bit in the `Motor_Ctrl` control register. After the switch START/STOP is set to START, the motor will restart.

The processes described earlier are implemented in a single state machine and are illustrated in [Figure 24](#), [Figure 25](#), and [Figure 26](#).

The general state diagram incorporates the main routine entered from reset and eight interrupt states. The main routine includes the initialization of the microcontroller and a software timer for the control algorithm timebase. The interrupt states provide calculation of the speed of the motor, overcurrent fault handler, PWM generation process, zero-

crossing interrupt for the PFC, an output compare to generate the input current waveform, an A/D interrupt to control PFC output voltage, SCI read, and transmit routines.

Initialization — The main routine provides initialization of the microcontroller:

- Clears RAM
- Initializes PLL clock
- Initializes PWM module:
 - Center-aligned complementary PWM mode, positive polarity (MOR register)
 - COP and LVI enable (MOR register)
 - PWM modulus — Defines the PWM frequency (PMOD register)
 - 2- μ s dead-time (DEADTM register)
 - PWM interrupt reload every fourth PWM cycle (PCTL2 register)
 - FAULT2 (overcurrent fault) in manual mode, interrupt enabled (FCR register)
- Sets up I/O ports
- Initializes timer A for input compare, output compare, and for a software timer reference
- Initializes timer B for PWM generation for the PFC
- Initializes the A/D converter
- Detects connected boards
- Detects input line voltage limits
- Detects input line frequency
- Calibrates the PFC feedback offset `FB_offset`
- If any error occurs, the fault LED is turned on, the failure register is set, and the software waits for reset.
- Enable interrupts

An example of initialization of PLL clock and motor control PWM modules for the MR32 follows.

Application Note

```
        /* setup PLL clock */

PBWC = 0x80;          /* set Auto Bandwidth Control */
while (~PBWC & 0x40); /* wait for PLL lock */
PCTL = 0x30;         /* use PLL clock */

        /* setup Motor Control PWM module */

MOR = 0x00;          /* pos. center PWM mode; cop and LVI enabled */
                    /* (0x60: neg. center PWM mode; cop and LVI enabled) */
PMOD =PWM_MODULUS; // set up PWM modulus => PWM frequency
/*7.3728MHz Bus Frequency PWM_MODULUS = 0x00e6 gives16kHz PWM */
DEADTM=15;          /* 2usec deadtime = #15 (for Bus freq. = 7.3728MHz) */
DISMAP=0xff;        /* when PWM disabled, disable PWM1-6 */
PCTL2 = 0x80;       /* PWM interrupt every 4th. pwm loads */
PCTL1 |= 0xc0;      /* disable MCPWM */
PWMOUT = 0x00;      /* output port control is PWM generator */
PCTL1 |= 0x02;      /* set LDOK bit */
FCR |= 0x08;        /* Flt2 enabled in manual mode */

PVAL1 = PWM_MODULUS/2; /* set phase A pwm to 50% */
PVAL3 = PWM_MODULUS/2; /* set phase B pwm to 50% */
PVAL5 = PWM_MODULUS/2; /* set phase C pwm to 50% */
```

When all modules of the microcontroller are initialized, the code will then enable the PWM module like this:

```
PCTL1 |= 0x20;      /* enables pwm interrupts */
PCTL1 |= 0x01;      /* enables PWM */
```

A software timer routine provides the timing sequence for required subroutines. A software timer is performed instead of an output compare interrupt handler. The main program has several time-demanding interrupt routines, and more interrupt requirements can cause a software fault.

The software timer routine has two timed outputs:

1. `READ_CONST` is a routine that scans inputs, calculates the speed command, handles fault routines, and the LED driver.
2. `PI_CONST` is a routine that provides overvoltage protection during deceleration, speed ramp (acceleration/deceleration), PI controller, and V/Hz ramp, and provides parameters for PWM generation.

The interrupt handlers have these functions:

- The input capture interrupt handler reads the time between two subsequent input capture edges (basic part of the process speed sensor).
- The fault interrupt handler takes care of overcurrent fault interrupt (overcurrent part of the process fault control).
- The PWM interrupt handler generates a system of 3-phase voltages for the motor (process PWM generation).
- The input capture interrupt handler on channel 0 timer A performs the synchronization for the PFC.
- Output compare interrupt handler generates the waveform of the input current.
- The A/D interrupt handler performs control of the PFC output voltage.
- The SCI read interrupt handler services receive interrupts for PC-Master communication routines.
- The SCI transmit interrupt handler services transmit interrupts for PC-Master communication routines.

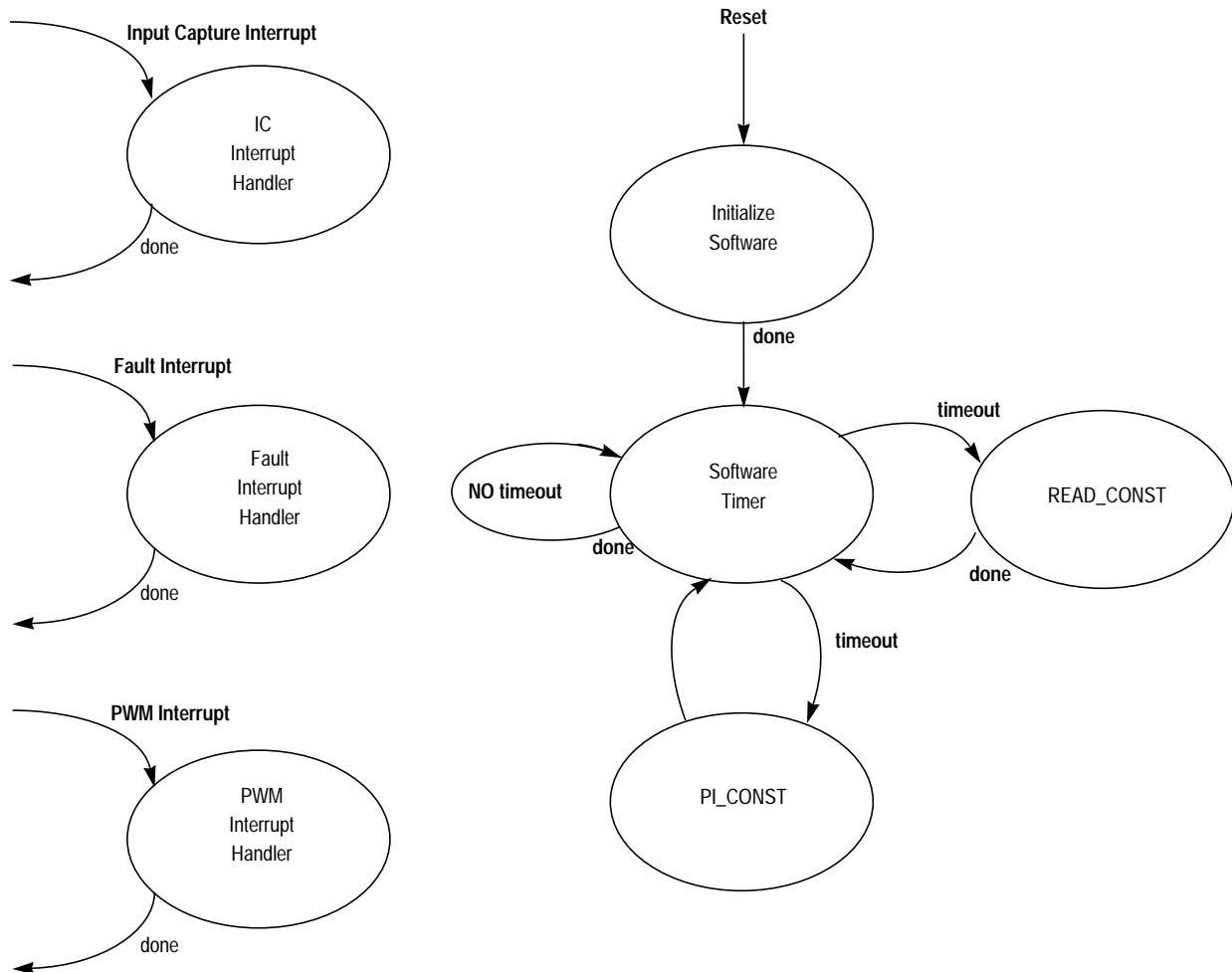


Figure 24. State Diagram — General Overview

READ_CONST is accessed from the main software timer in READ_CONST rate. The following sequence is performed. See [Figure 25](#)

READ_CONST:

- All the inputs are scanned (speed pot, start/stop switch, forward/reverse switch, temperature, dc bus current). dc bus voltage is measure in AD interrupt routine.
- The speed command is calculated according to the operational mode.
- The dc bus voltage is compared with the overvoltage limit and overcurrent flag is checked.
- In case of a fault condition, the fault recovery routine is entered and until the recovery time expires; the drive remains disabled.
- Finally, the LED driver controls individual LEDs according to the status of the drive.
- The PFC hardware is enabled/disabled according to the drive status.
- PC-Master commands are serviced.

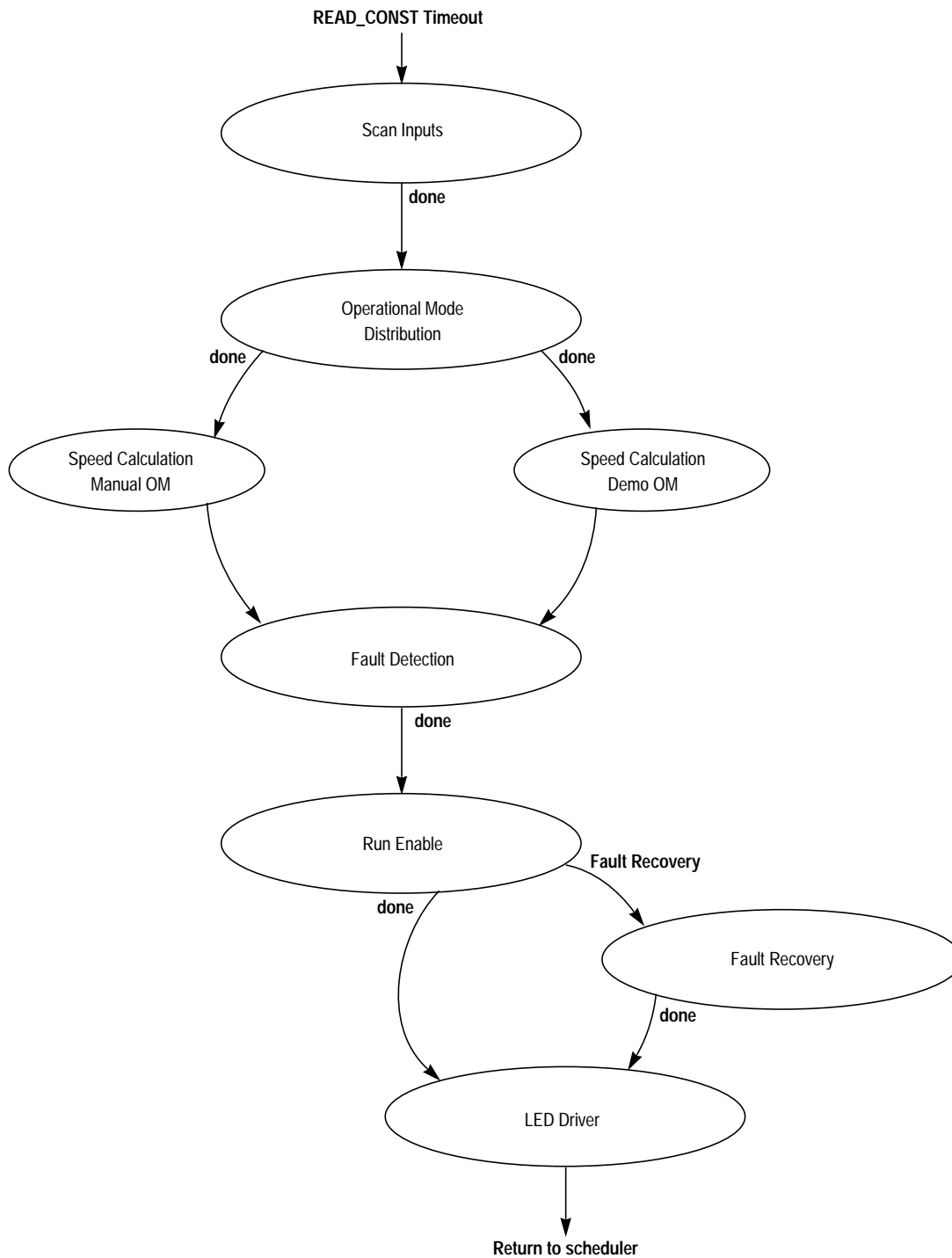


Figure 25. State Diagram — READ_CONST

PI_CONST is accessed from the main software timer in PI_CONST rate. The rate defines the time constant of the PI controller. The following sequence is performed (see [Figure 26](#)):

1. During deceleration, the dc-bus voltage is checked, and, in case of overvoltage, the deceleration is interrupted until the capacitor is discharged.
2. When no deceleration overvoltage is measured, the acceleration/deceleration speed profile is calculated.
3. The actual motor speed is calculated. It is based on the time measurement between two subsequent rising edges of the input capture.
4. The PI speed controller is performed and the corrected motor frequency calculated.

The corresponding voltage amplitude is calculated according to the volt-per-hertz profile. Thus, both parameters for PWM generation are available (`Table_inc`, `Amplitude`).

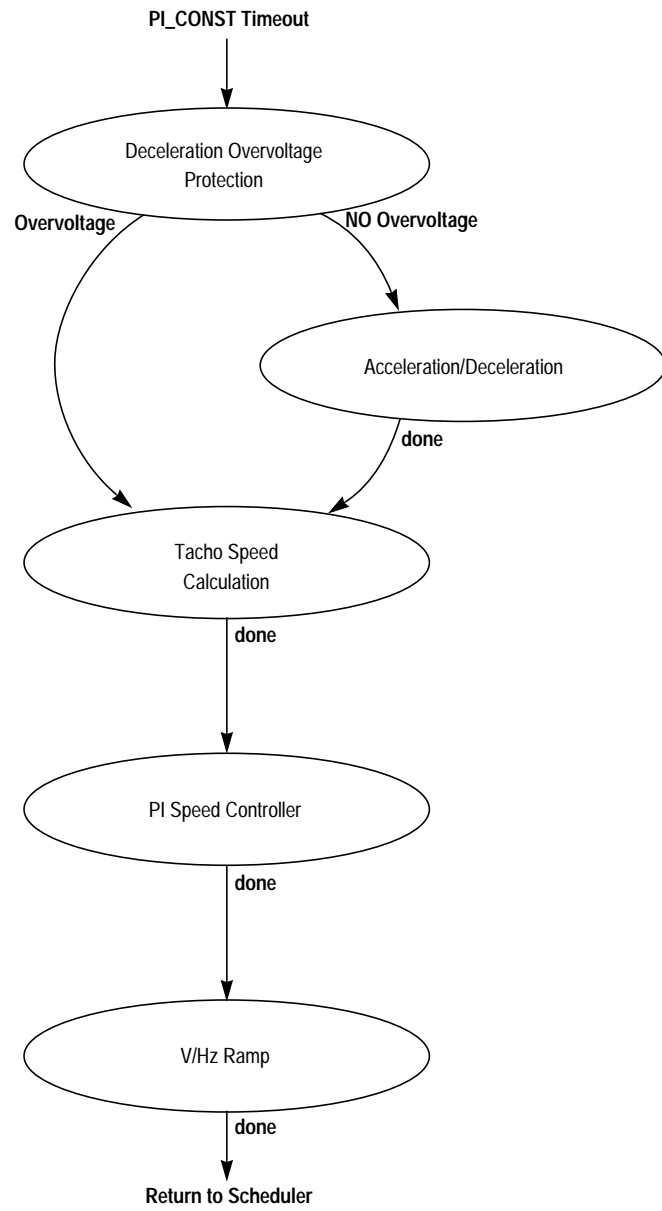


Figure 26. State Diagram — PI_CONST Timeout

Software Files

The software consists of the following parts:

MAIN.C — MAIN.C is the entry point following a reset and after initial startup code. It contains the initialization software state code, the main state machine with the software timer state code.

SPEED.C — SPEED.C contains `READ_CONST` code (scan inputs state; operational mode distribution state; speed calculation, manual operational mode state, speed calculation; PC-Master operation mode state; fault detection state; run enable state; fault recovery state; LED driver state; PFC enable/disable logic).

RAMP.C — RAMP.C contains code for acceleration and deceleration rampstate, V/Hz ramp state.

PI.C — PI.C contains `PI_CONST` timeout code (deceleration overvoltage protection state, tacho speed calculation state, PI speed controller state, and calls acceleration/deceleration ramp state and V/Hz ramp state appropriately).

FAULT.C — FAULT.C contains the fault interrupt service routine.

PWMCALC.C — PWMCALC.C contains code to service the PWM interrupts which ultimately generate the sine outputs to the power stage.

TACHO.C — TACHO.C contains timer A channel 0 interrupt code that calculates the time between tachometer interrupts.

MR_IDENT.C — MR_IDENT.C contains code that communicates with the MC68HC705JJ7 microcontrollers, resident on the optoisolation and power boards. The resulting information from this routine is used for configuration checking and input to system run time parameters.

DigitPFC.C — DigitPFC.C contains software used to drive the power factor correction hardware resident on the power board. The software sets the duty cycle of timer B channel 0 that pulse-width modulates the power board's PFC input hardware at 125 kHz.

RAM.C — The file RAM.C contains the global RAM variable definitions for system's MR32 software.

Code_ISR.C — CODE_ISR.C contains the interrupt and reset vector addresses for the system's MR32 software.

SCI.C — SCI.C contains the PC-Master SCI communication routines code.

RAM.H — The header file RAM.H contains the global RAM variable declarations for the system's MR32 software.

CONST.H — The header file CONST.H contains the global system constants definitions for system's MR32 software.

CODE_FUN.H — The header file Code_fun.H contains the prototypes of the external functions.

3RDQUAD.H — The header file 3RDQUAD.H contains a 256-word one-quadrant sine table with third harmonic injection.

SCI.H — SCI.H contains the PC-Master SCI communication constant and variables declarations.


MR24_VHz_PFC.prm — The parameter file MR24_VHz_PFC.prm contains the interrupt and reset vector addresses for the system's MR32 software.

Conclusion

This application note describes the design of a 3-phase ac speed-controlled induction motor with power factor correction and optional PC-Master communication software. The controller, optoisolation, and power boards used in this design are part of Motorola's tool set and can be purchased from Motorola. The tool set enables the MR32 to be evaluated in a system without the necessity of building prototype hardware.

The design described in this application note illustrates the efficiency and simplicity of using the MR32 microcontroller as the processing heart of a robust motor control system for low-cost industrial and consumer motor control applications.

Application Note

Motorola reserves the right to make changes without further notice to any products herein. Motorola makes no warranty, representation or guarantee regarding the suitability of its products for any particular purpose, nor does Motorola assume any liability arising out of the application or use of any product or circuit, and specifically disclaims any and all liability, including without limitation consequential or incidental damages. "Typical" parameters which may be provided in Motorola data sheets and/or specifications can and do vary in different applications and actual performance may vary over time. All operating parameters, including "Typicals" must be validated for each customer application by customer's technical experts. Motorola does not convey any license under its patent rights nor the rights of others. Motorola products are not designed, intended, or authorized for use as components in systems intended for surgical implant into the body, or other applications intended to support or sustain life, or for any other application in which the failure of the Motorola product could create a situation where personal injury or death may occur. Should Buyer purchase or use Motorola products for any such unintended or unauthorized application, Buyer shall indemnify and hold Motorola and its officers, employees, subsidiaries, affiliates, and distributors harmless against all claims, costs, damages, and expenses, and reasonable attorney fees arising out of, directly or indirectly, any claim of personal injury or death associated with such unintended or unauthorized use, even if such claim alleges that Motorola was negligent regarding the design or manufacture of the part. Motorola and  are registered trademarks of Motorola, Inc. Motorola, Inc. is an Equal Opportunity/Affirmative Action Employer.

How to reach us:

USA/EUROPE/Locations Not Listed: Motorola Literature Distribution; P.O. Box 5405, Denver, Colorado 80217. 1-303-675-2140 or 1-800-441-2447

JAPAN: Motorola Japan Ltd.; SPS, Technical Information Center, 3-20-1, Minami-Azabu, Minato-ku, Tokyo 106-8573 Japan. 81-3-3440-3569

ASIA/PACIFIC: Motorola Semiconductors H.K. Ltd.; Silicon Harbour Centre, 2 Dai King Street, Tai Po Industrial Estate, Tai Po, N.T., Hong Kong.
852-26668334

Technical Information Center: 1-800-521-6274

HOME PAGE: <http://www.motorola.com/semiconductors/>



MOTOROLA

© Motorola, Inc., 2000

AN1857/D