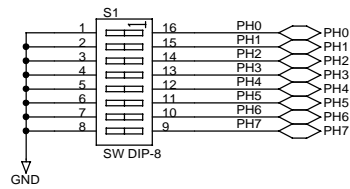
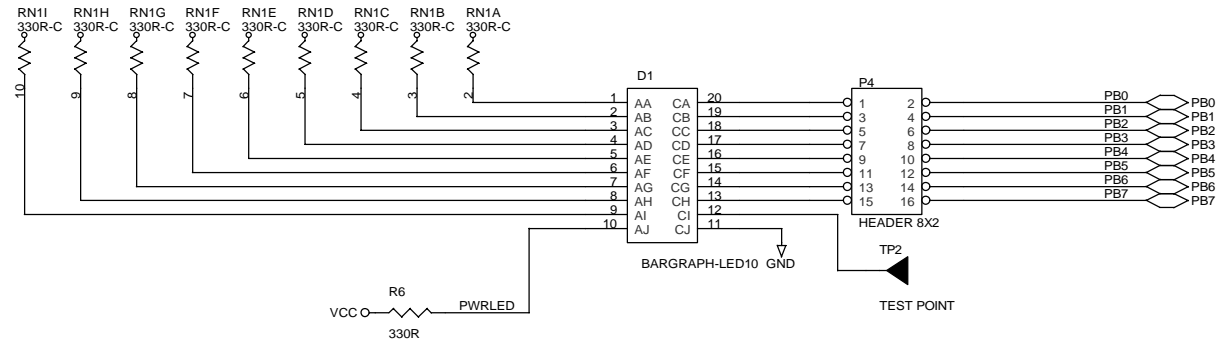
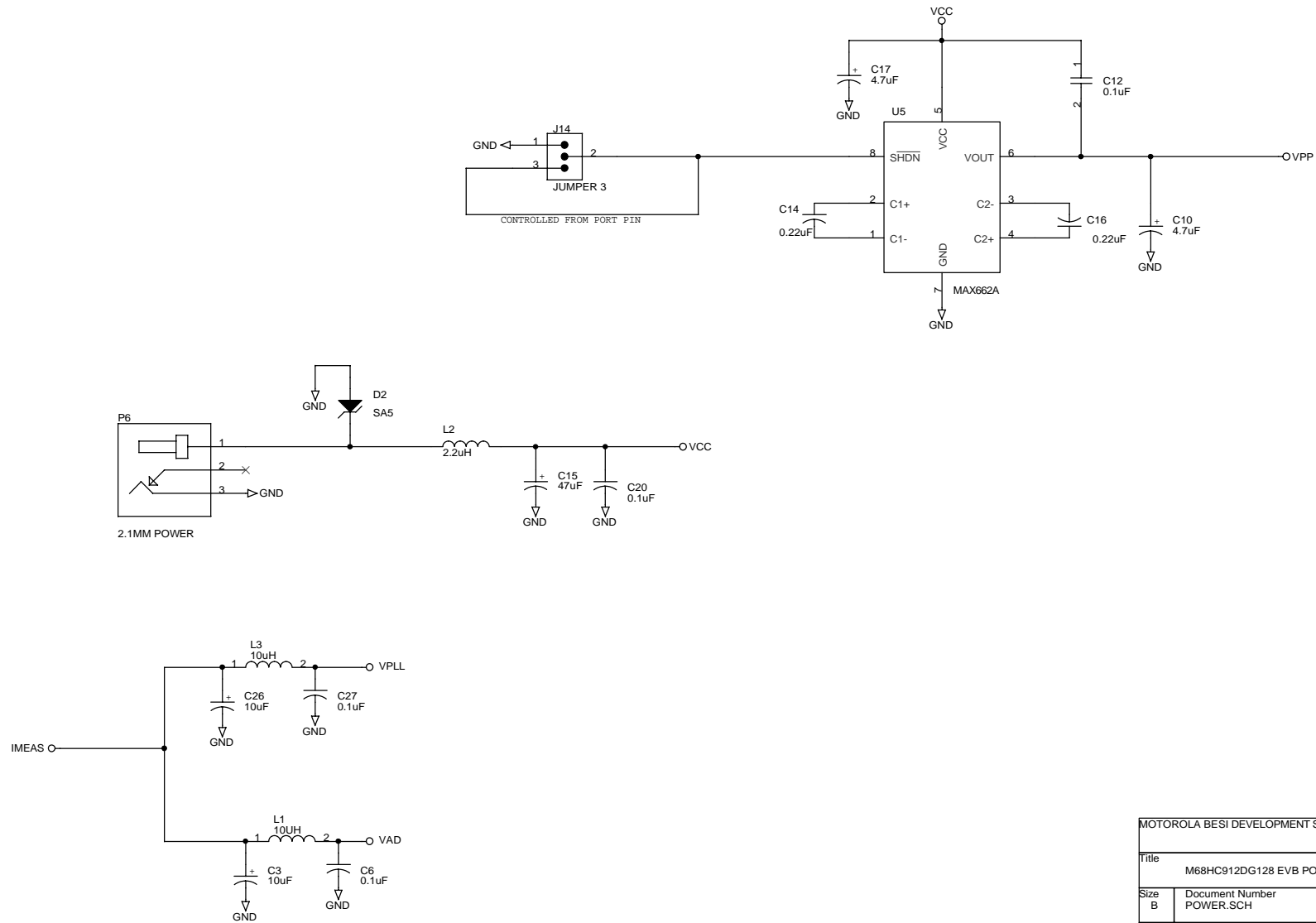


PORTB DISPLAY & PORT H CONTROL



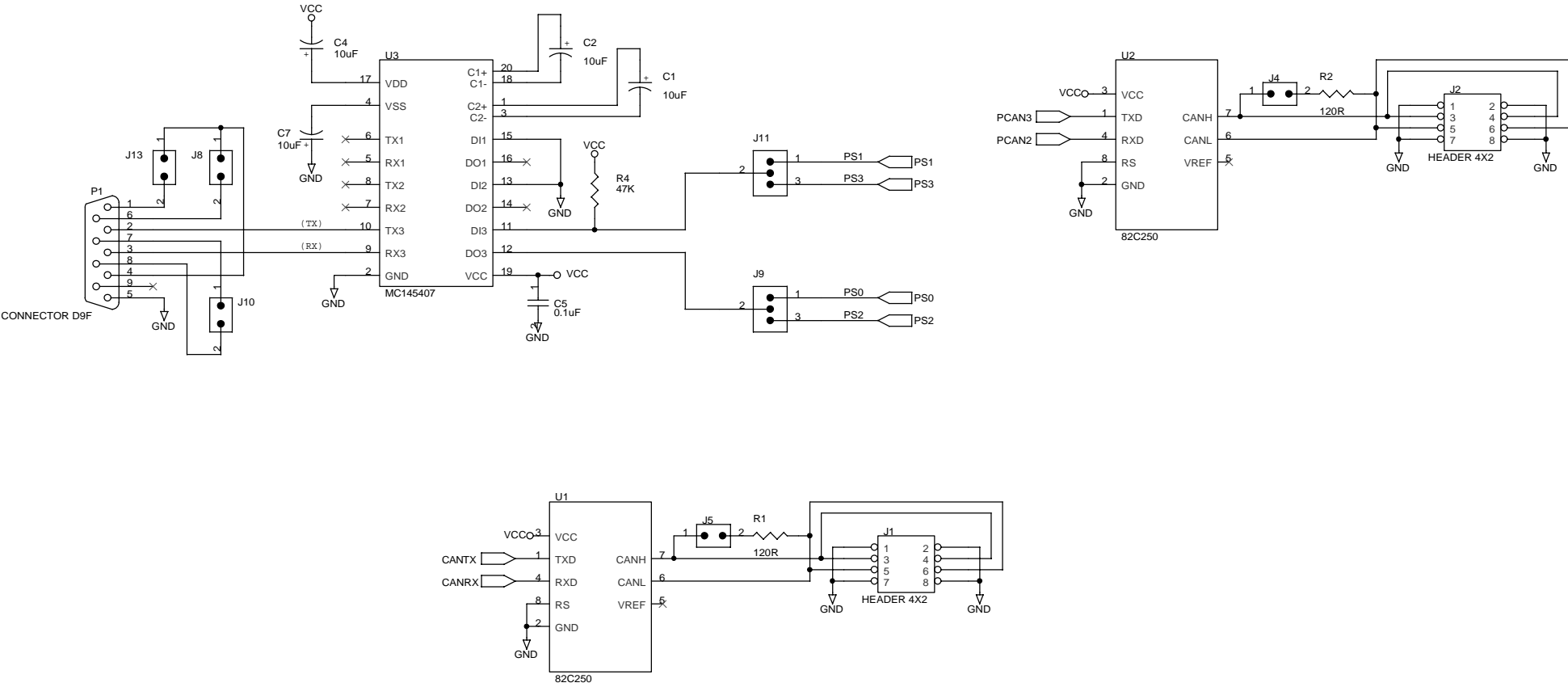
MOTOROLA BESI DEVELOPMENT SYSTEMS		
Title		
M68HC912DG128 EVALUATION BOARD		
Size	Document Number	Rev
B	PORTH.SCH	3
Date:	Thursday, 20th August, 1998	Sheet 2 of 4

POWER SUPPLY



MOTOROLA BESI DEVELOPMENT SYSTEMS		
Title M68HC912DG128 EVB POWER		
Size B	Document Number POWER.SCH	Rev 3
Date: Thursday, 20th August, 1998	Sheet 3	of 4

SERIAL COMMUNICATIONS



MOTOROLA BESI DEVELOPMENT SYSTEMS		
Title		
M68HC912DG128 RS232 / CAN INTERFACES		
Size	Document Number	Rev
B	RS232.SCH	3
Date:	Thursday, 20th August, 1998	Sheet 4 of 4