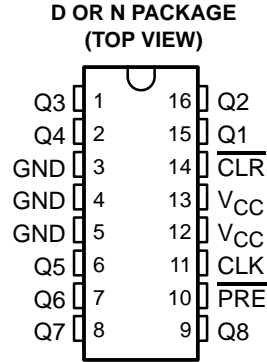


CDC304 OCTAL DIVIDE-BY-2 CIRCUIT/CLOCK DRIVER

SCAS325A – JULY 1990 – REVISED NOVEMBER 1995

- Replaces SN74AS304
- Maximum Output Skew of 1 ns
- Maximum Pulse Skew of 1.5 ns
- TTL-Compatible Inputs and Outputs
- Center-Pin V_{CC} and GND Configurations Minimize High-Speed Switching Noise
- Package Options Include Plastic Small-Outline (D) Package and Standard Plastic (N) 300-mil DIPs



description

The CDC304 contains eight flip-flops designed to have low skew between outputs. The eight outputs (in-phase with CLK) toggle on successive CLK pulses. Preset (\overline{PRE}) and clear (\overline{CLR}) inputs are provided to set the Q outputs high or low independent of the clock (CLK) input.

The CDC304 has output and pulse-skew parameters $t_{sk(o)}$ and $t_{sk(p)}$ to ensure performance as a clock driver when a divide-by-two function is required.

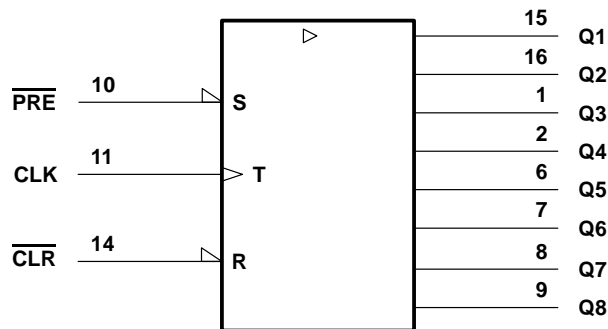
The CDC304 is characterized for operation from 0°C to 70°C.

FUNCTION TABLE

INPUTS			OUTPUTS
\overline{CLR}	\overline{PRE}	CLK	Q1–Q8
L	H	X	L
H	L	X	H
L	L	X	L^\dagger
H	H	\uparrow	$\overline{Q_0}$
H	H	L	Q_0

\dagger This configuration does not persist when \overline{PRE} or \overline{CLR} returns to its inactive (high) level.

logic symbol \ddagger



\ddagger This symbol is in accordance with ANSI/IEEE Std 91-1984 and IEC Publication 617-12.



Please be aware that an important notice concerning availability, standard warranty, and use in critical applications of Texas Instruments semiconductor products and disclaimers thereto appears at the end of this data sheet.

PRODUCTION DATA information is current as of publication date. Products conform to specifications per the terms of Texas Instruments standard warranty. Production processing does not necessarily include testing of all parameters.

**TEXAS
INSTRUMENTS**

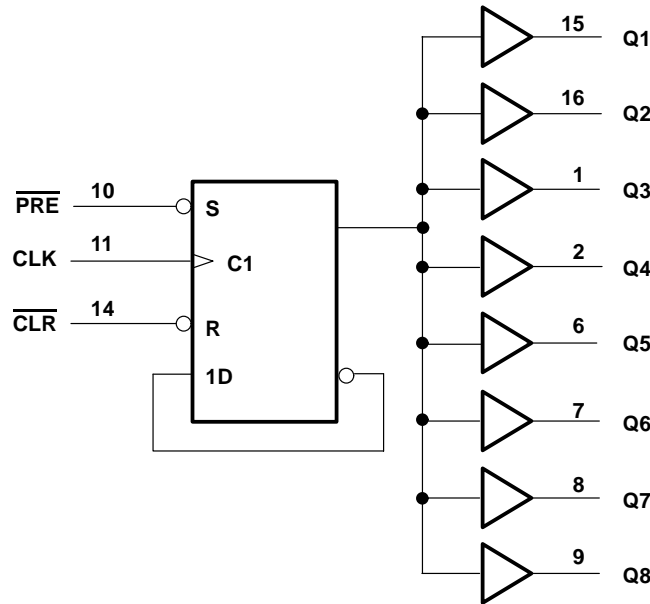
POST OFFICE BOX 655303 • DALLAS, TEXAS 75265

Copyright © 1995, Texas Instruments Incorporated

CDC304 OCTAL DIVIDE-BY-2 CIRCUIT/CLOCK DRIVER

SCAS325A – JULY 1990 – REVISED NOVEMBER 1995

logic diagram (positive logic)



absolute maximum ratings over operating free-air temperature range (unless otherwise noted)†

Supply voltage, V_{CC}	7 V
Input voltage, V_I	7 V
Maximum power dissipation at $T_A = 55^\circ\text{C}$ (in still air) (see Note 1): D package	0.77 W
N package	1.2 W
Storage temperature range, T_{stg}	-65°C to 150°C

† Stresses beyond those listed under “absolute maximum ratings” may cause permanent damage to the device. These are stress ratings only, and functional operation of the device at these or any other conditions beyond those indicated under “recommended operating conditions” is not implied. Exposure to absolute-maximum-rated conditions for extended periods may affect device reliability.

NOTE 1: The maximum package power dissipation is calculated using a junction temperature of 150°C and a board trace length of 300 mils, except for the N package, which has a trace length of zero. For more information, refer to the *Package Thermal Considerations* application note in the 1994 *ABT Advanced BiCMOS Technology Data Book*, literature number SCBD002B.

recommended operating conditions

	MIN	NOM	MAX	UNIT
V_{CC} Supply voltage	4.5	5	5.5	V
V_{IH} High-level input voltage	2			V
V_{IL} Low-level input voltage			0.8	V
I_{OH} High-level output current			-24	mA
I_{OL} Low-level output current			48	mA
f_{clock} Input clock frequency			80	MHz
T_A Operating free-air temperature	0		70	$^\circ\text{C}$

CDC304 OCTAL DIVIDE-BY-2 CIRCUIT/CLOCK DRIVER

SCAS325A – JULY 1990 – REVISED NOVEMBER 1995

electrical characteristics over recommended operating free-air temperature range (unless otherwise noted)

PARAMETER	TEST CONDITIONS		MIN	TYP†	MAX	UNIT
V_{IK}	$V_{CC} = 4.5\text{ V}$,	$I_I = -18\text{ mA}$			-1.2	V
V_{OH}	$V_{CC} = 4.5\text{ V}$,	$I_{OH} = -2\text{ mA}$	$V_{CC}-2$			V
	$V_{CC} = 4.5\text{ V}$,	$I_{OH} = -24\text{ mA}$	2	2.8		
V_{OL}	$V_{CC} = 4.5\text{ V}$,	$I_{OL} = 48\text{ mA}$		0.3	0.5	V
I_I	$V_{CC} = 5.5\text{ V}$,	$V_I = 7\text{ V}$			0.1	mA
I_{IH}	$V_{CC} = 5.5\text{ V}$,	$V_I = 2.7\text{ V}$			20	μA
I_{IL}	$V_{CC} = 5.5\text{ V}$,	$V_I = 0.4\text{ V}$			-0.5	mA
$I_{O\ddagger}$	$V_{CC} = 5.5\text{ V}$,	$V_O = 2.25\text{ V}$	-50		-150	mA
I_{CC}	$V_{CC} = 5.5\text{ V}$,	See Note 2		45	75	mA

† All typical values are at $V_{CC} = 5\text{ V}$, $T_A = 25^\circ\text{C}$.

‡ The output conditions have been chosen to produce a current that closely approximates one half of the true short-circuit output current, I_{OS} .

NOTE 2: I_{CC} is measured with $\overline{\text{CLK}}$ and $\overline{\text{PRE}}$ grounded, then with $\overline{\text{CLK}}$ and $\overline{\text{CLR}}$ grounded.

timing requirements

			MIN	MAX	UNIT
f_{clock}	Clock frequency		0	80	MHz
t_w	Pulse duration	$\overline{\text{CLR}}$ or $\overline{\text{PRE}}$ low	5		ns
		CLK high	4		
		CLK low	6		
t_{su}	Setup time before $\overline{\text{CLK}}^\uparrow$	$\overline{\text{CLR}}$ or $\overline{\text{PRE}}$ inactive	6		ns

switching characteristics over recommended operating free-air temperature range (see Figure 1)

PARAMETER	FROM (INPUT)	TO (OUTPUT)	TEST CONDITIONS	MIN	TYP†	MAX	UNIT
f_{max}^\S				80			MHz
t_{PLH}	CLK	Q	$R_L = 500\ \Omega$, $C_L = 50\text{ pF}$	2	6	9	ns
t_{PHL}				2	6	9	
t_{PLH}	$\overline{\text{PRE}}$ or $\overline{\text{CLR}}$	Q	$R_L = 500\ \Omega$, $C_L = 50\text{ pF}$	3	7	12	ns
t_{PHL}				3	7	12	
$t_{\text{sk(o)}}$	CLK	Q	$R_L = 500\ \Omega$, $C_L = 10\text{ pF to }30\text{ pF}$, See Figure 2			1	ns
$t_{\text{sk(p)}}$	CLK	Q1, Q8	$R_L = 500\ \Omega$, $C_L = 10\text{ pF to }30\text{ pF}$			1	ns
		Q2–Q7				1.5	
t_r						4.5	ns
t_f						3.5	ns

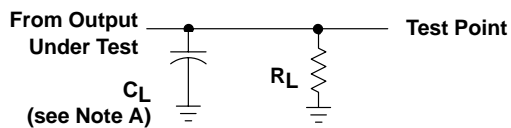
† All typical values are at $V_{CC} = 5\text{ V}$, $T_A = 25^\circ\text{C}$.

§ f_{max} minimum values are at $C_L = 0\text{ to }30\text{ pF}$.

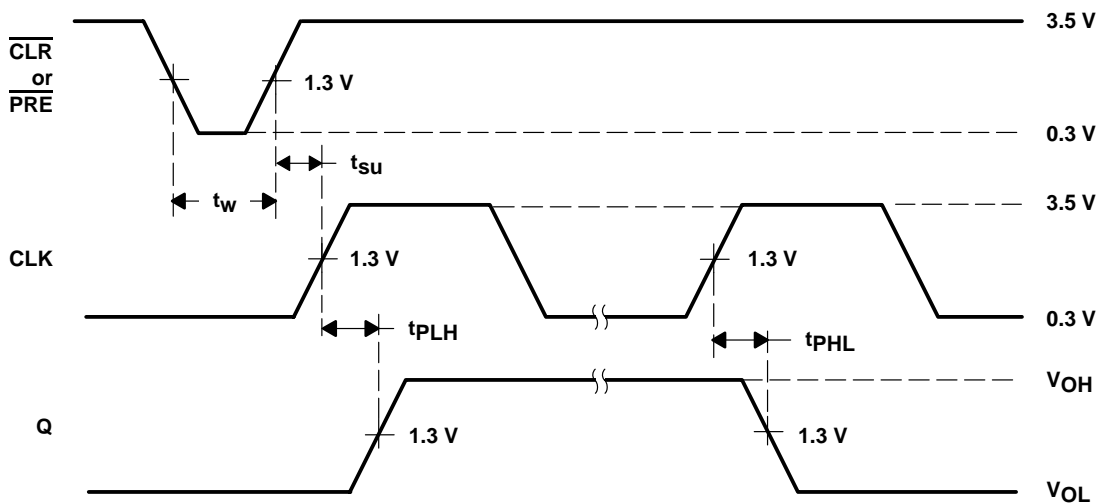
CDC304 OCTAL DIVIDE-BY-2 CIRCUIT/CLOCK DRIVER

SCAS325A – JULY 1990 – REVISED NOVEMBER 1995

PARAMETER MEASUREMENT INFORMATION



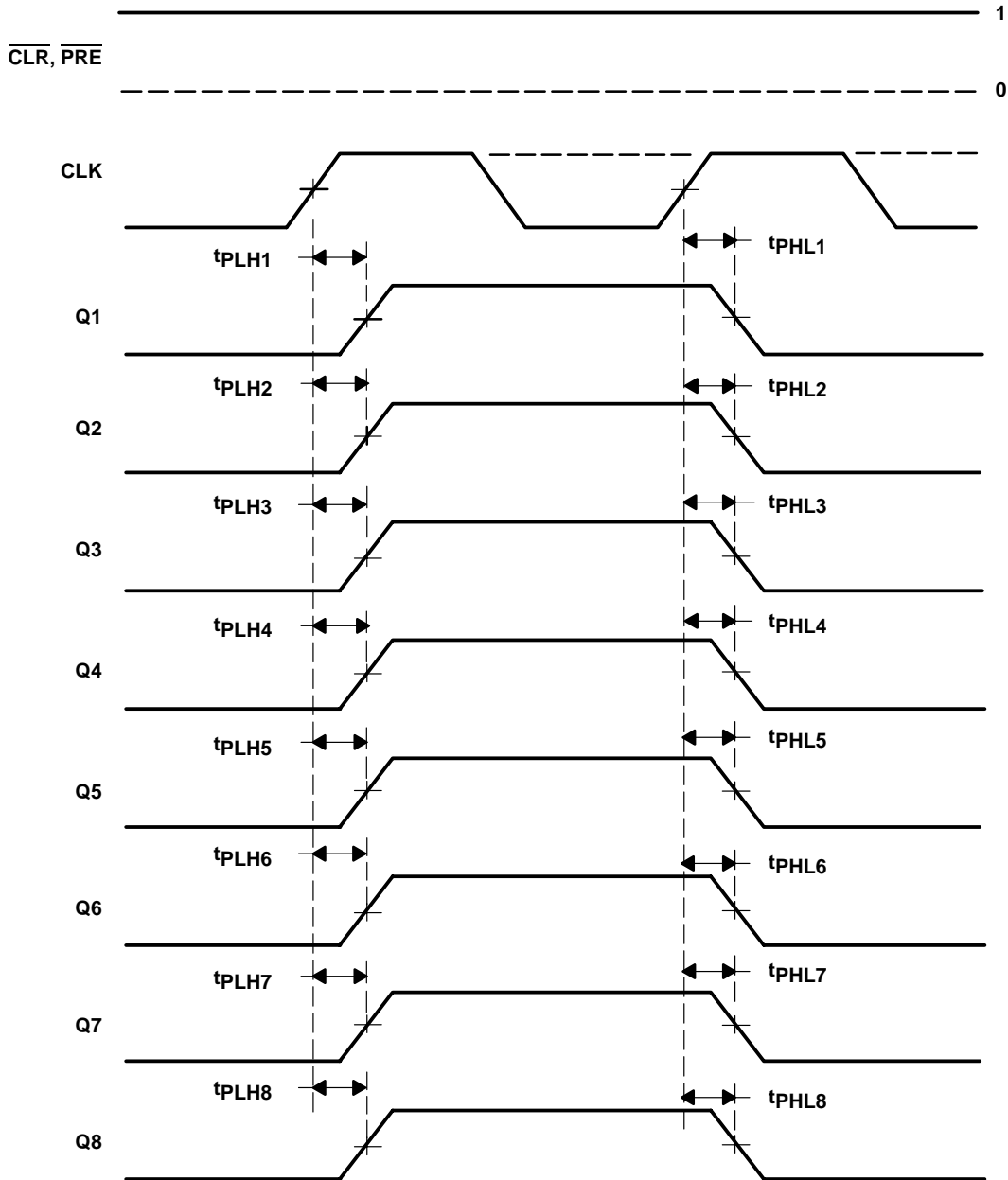
LOAD CIRCUIT



- NOTES: A. C_L includes probe and jig capacitance.
B. Input pulses are supplied by generators having the following characteristics: $PRR \leq 10$ MHz, $t_r = 2.5$ ns, $t_f = 2.5$ ns.

Figure 1. Load Circuit and Voltage Waveforms

PARAMETER MEASUREMENT INFORMATION



- NOTES: A. $t_{\text{sk}(o)}$, CLK to Q, is calculated as the greater of the following:
- The difference between the fastest and slowest of $t_{\text{PLH}n}$ ($n = 1, 2, 3 \dots, 8$)
 - The difference between the fastest and slowest of $t_{\text{PHL}n}$ ($n = 1, 2, 3 \dots, 8$)
- B. $t_{\text{sk}(p)}$ is defined at the greater of $|t_{\text{PLH}n} - t_{\text{PHL}n}|$ ($n = 1, 2, 3, \dots, 8$).

Figure 2. Waveforms for Calculation of $t_{\text{sk}(o)}$ and $t_{\text{sk}(p)}$

IMPORTANT NOTICE

Texas Instruments (TI) reserves the right to make changes to its products or to discontinue any semiconductor product or service without notice, and advises its customers to obtain the latest version of relevant information to verify, before placing orders, that the information being relied on is current.

TI warrants performance of its semiconductor products and related software to the specifications applicable at the time of sale in accordance with TI's standard warranty. Testing and other quality control techniques are utilized to the extent TI deems necessary to support this warranty. Specific testing of all parameters of each device is not necessarily performed, except those mandated by government requirements.

Certain applications using semiconductor products may involve potential risks of death, personal injury, or severe property or environmental damage ("Critical Applications").

TI SEMICONDUCTOR PRODUCTS ARE NOT DESIGNED, INTENDED, AUTHORIZED, OR WARRANTED TO BE SUITABLE FOR USE IN LIFE-SUPPORT APPLICATIONS, DEVICES OR SYSTEMS OR OTHER CRITICAL APPLICATIONS.

Inclusion of TI products in such applications is understood to be fully at the risk of the customer. Use of TI products in such applications requires the written approval of an appropriate TI officer. Questions concerning potential risk applications should be directed to TI through a local SC sales office.

In order to minimize risks associated with the customer's applications, adequate design and operating safeguards should be provided by the customer to minimize inherent or procedural hazards.

TI assumes no liability for applications assistance, customer product design, software performance, or infringement of patents or services described herein. Nor does TI warrant or represent that any license, either express or implied, is granted under any patent right, copyright, mask work right, or other intellectual property right of TI covering or relating to any combination, machine, or process in which such semiconductor products or services might be or are used.