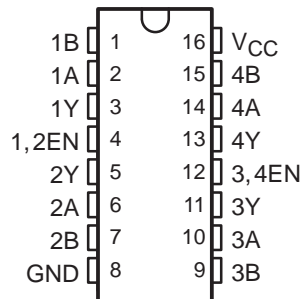


SN55LBC175 QUADRUPLE LOW-POWER DIFFERENTIAL LINE RECEIVER

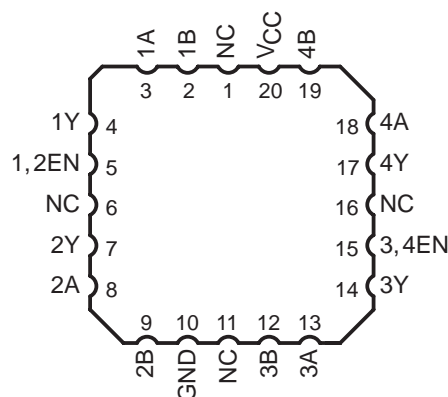
SGLS083 – MARCH 1995

- Meets EIA Standards RS-422-A, RS-423-A, RS-485, and CCITT V.11
- Designed to Operate With Pulse Durations as Short as 20 ns
- Designed for Multipoint Transmission on Long Bus Lines in Noisy Environments
- Input Sensitivity . . . ± 200 mV
- Low-Power Consumption . . . 20 mA Max
- Open-Circuit Fail-Safe Design
- Common-Mode Input Voltage Range of -7 V to 12 V

J OR W PACKAGE
(TOP VIEW)



FK PACKAGE
(TOP VIEW)



NC – No internal connection

description

The SN55LBC175 is a monolithic quadruple differential line receiver with 3-state outputs and is designed to meet the requirements of the EIA Standards RS-422-A, RS-423-A, RS-485, and CCITT V.11. This device is optimized for balanced multipoint bus transmission at data rates up to and exceeding 10 million bits per second. The receivers are enabled in pairs with an active-high enable input. Each differential receiver input features high impedance, hysteresis for increased noise immunity, and sensitivity of ± 200 mV over a common-mode input voltage range of 12 V to -7 V. Fail-safe design ensures that if the inputs are open circuited, the outputs are always high. This device is designed using the Texas Instruments proprietary LinBiCMOS™ technology allowing low power consumption, high switching speeds, and robustness.

This device offers optimum performance when used with the SN55LBC174 quadruple line driver. The SN55LBC175 is available in the 16-pin CDIP (J) package, a 16-pin CPAK (W) package, or a 20-pin LCCC (FK) package.

The SN55LBC175 is characterized over the military temperature range of -55°C to 125°C .

FUNCTION TABLE
(each receiver)

DIFFERENTIAL INPUTS A–B	ENABLE	OUTPUT Y
$V_{ID} \geq 0.2$ V	H	H
-0.2 V $< V_{ID} < 0.2$ V	H	?
$V_{ID} \leq -0.2$ V	H	L
X	L	Z
Open circuit	H	H

H = high level, L = low level, X = irrelevant,
Z = high impedance (off), ? = indeterminate

Please be aware that an important notice concerning availability, standard warranty, and use in critical applications of Texas Instruments semiconductor products and disclaimers thereto appears at the end of this data sheet.



LinBiCMOS is a trademark of Texas Instruments Incorporated.

PRODUCTION DATA information is current as of publication date. Products conform to specifications per the terms of Texas Instruments standard warranty. Production processing does not necessarily include testing of all parameters.

TEXAS
INSTRUMENTS

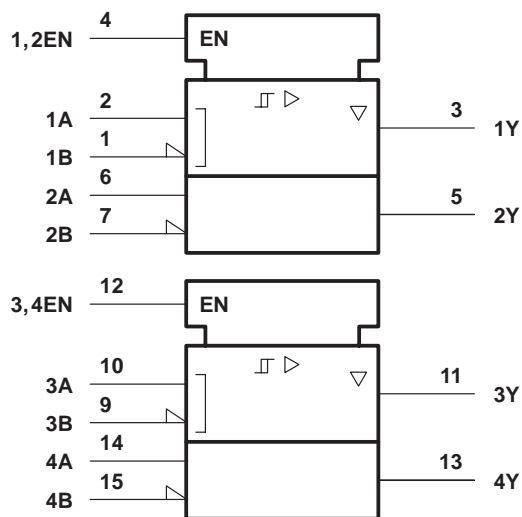
POST OFFICE BOX 655303 • DALLAS, TEXAS 75265

Copyright © 1995, Texas Instruments Incorporated

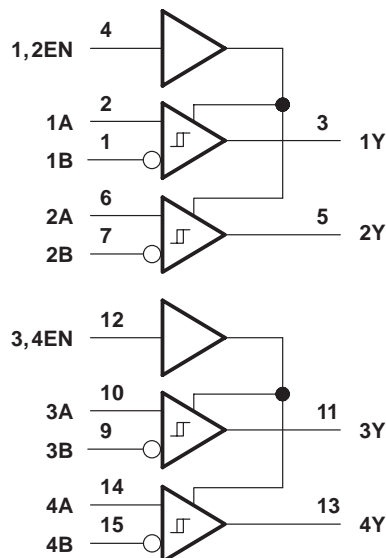
SN55LBC175 QUADRUPLE LOW-POWER DIFFERENTIAL LINE RECEIVER

SGLS083 – MARCH 1995

logic symbol†



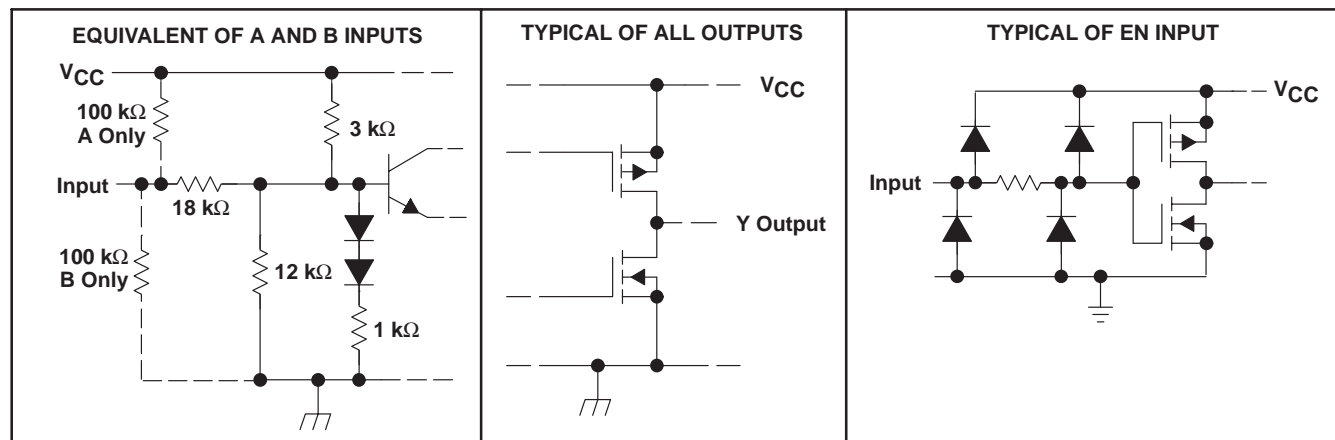
logic diagram (positive logic)



† This symbol is in accordance with ANSI/IEEE Std 91-1984 and IEC Publication 617-12.

Pin numbers shown are for the J or W package.

schematics of inputs and outputs



SN55LBC175

QUADRUPLE LOW-POWER DIFFERENTIAL LINE RECEIVER

SGLS083 – MARCH 1995

absolute maximum ratings over operating free-air temperature range (unless otherwise noted)†

Supply voltage range, V_{CC} (see Note 1)	–0.3 V to 7 V
Input voltage, A or B inputs, V_I	±25 V
Differential input voltage, V_{ID} (see Note 2)	±25 V
Data and control voltage range	–0.3 V to 7 V
Continuous total dissipation	See Dissipation Rating Table
Operating free-air temperature range, T_A	–55°C to 125°C
Storage temperature range, T_{stg}	–65°C to 150°C
Lead temperature 1,6 mm (1/16 inch) from case for 10 seconds	260°C

† Stresses beyond those listed under “absolute maximum ratings” may cause permanent damage to the device. These are stress ratings only, and functional operation of the device at these or any other conditions beyond those indicated under “recommended operating conditions” is not implied. Exposure to absolute-maximum-rated conditions for extended periods may affect device reliability.

- NOTES: 1. All voltage values are with respect to GND.
 2. Differential input voltage is measured at the noninverting input with respect to the corresponding inverting input.

DISSIPATION RATING TABLE

PACKAGE	$T_A \leq 25^\circ\text{C}$ POWER RATING	DERATING FACTOR ABOVE $T_A = 25^\circ\text{C}$	$T_A = 125^\circ\text{C}$ POWER RATING
FK	1375 mW	11.0 mW/°C	275 mW
J	1375 mW	11.0 mW/°C	275 mW
W	1000 mW	8.0 mW/°C	200 mW

recommended operating conditions

	MIN	NOM	MAX	UNIT
Supply voltage, V_{CC}	4.75	5	5.25	V
Common-mode input voltage, V_{IC}	–7		12	V
Differential input voltage, V_{ID}			±6	V
High-level input voltage, V_{IH}	2			V
Low-level input voltage, V_{IL}				0.8 V
High-level output current, I_{OH}			–8	mA
Low-level output current, I_{OL}			16	mA
Operating free-air temperature, T_A	–55		125	°C



SN55LBC175

QUADRUPLE LOW-POWER DIFFERENTIAL LINE RECEIVER

SGLS083 – MARCH 1995

electrical characteristics over recommended ranges of supply voltage and operating free-air temperature (unless otherwise noted)

PARAMETER		TEST CONDITIONS	MIN	TYP†	MAX	UNIT	
V_{IT+}	Positive-going input threshold voltage	$I_O = -8$ mA			0.2	V	
V_{IT-}	Negative-going input threshold voltage	$I_O = 16$ mA	-0.2			V	
V_{hys}	Hysteresis voltage ($V_{IT+} - V_{IT-}$)			45		mV	
V_{IK}	Enable input clamp voltage	$I_I = -18$ mA		-0.9	-1.5	V	
V_{OH}	High-level output voltage	$V_{ID} = 200$ mV, $I_{OH} = -8$ mA	3.5	4.5		V	
V_{OL}	Low-level output voltage	$V_{ID} = -200$ mV, $I_{OL} = 16$ mA		0.3	0.5	V	
		$V_{ID} = -200$ mV, $I_{OL} = 16$ mA, $T_A = 125^\circ\text{C}$			0.7		
I_{OZ}	High-impedance-state output current	$V_O = 0$ V to V_{CC}			± 20	μA	
I_I	Bus input current	A or B inputs	$V_{IH} = 12$ V, $V_{CC} = 5$ V, Other inputs at 0 V		0.7	1	mA
			$V_{IH} = 12$ V, $V_{CC} = 0$ V, Other inputs at 0 V		0.8	1	
			$V_{IH} = -7$ V, $V_{CC} = 5$ V, Other inputs at 0 V		-0.5	-0.8	
			$V_{IH} = -7$ V, $V_{CC} = 0$ V, Other inputs at 0 V		-0.4	-0.8	
I_{IH}	High-level enable input current	$V_{IH} = 5$ V			± 20	μA	
I_{IL}	Low-level enable input current	$V_{IL} = 0$ V			-20	μA	
I_{OS}	Short-circuit output current	$V_O = 0$		-80	-120	mA	
I_{CC}	Supply current	Outputs enabled, $I_O = 0$, $V_{ID} = 5$ V		11	20	mA	
		Outputs disabled		0.9	1.4		

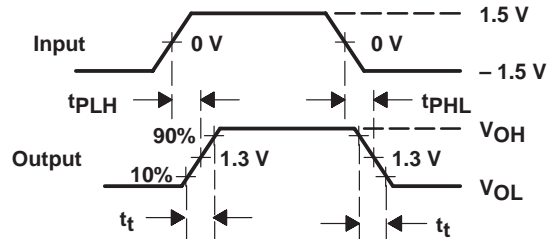
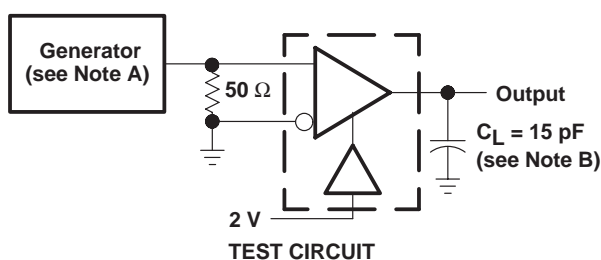
† All typical values are at $V_{CC} = 5$ V and $T_A = 25^\circ\text{C}$.

switching characteristics, $V_{CC} = 5$ V, $C_L = 15$ pF

PARAMETER		TEST CONDITIONS	T_A	MIN	TYP	MAX	UNIT
t_{PHL}	Propagation delay time, high- to low-level output	$V_{ID} = -1.5$ V to 1.5 V, See Figure 1	25°C	11	22	30	ns
			-55°C to 125°C			35	
t_{PLH}	Propagation delay time, low- to high-level output	$V_{ID} = -1.5$ V to 1.5 V, See Figure 1	25°C	11	22	30	ns
			-55°C to 125°C			35	
t_{PZH}	Output enable time to high level	See Figure 2	25°C		17	40	ns
			-55°C to 125°C			45	
t_{PZL}	Output enable time to low level	See Figure 3	25°C		18	30	ns
			-55°C to 125°C			35	
t_{PHZ}	Output disable time from high level	See Figure 2	25°C		30	40	ns
			-55°C to 125°C			55	
t_{PLZ}	Output disable time from low level	See Figure 3	25°C		23	30	ns
			-55°C to 125°C			45	
$t_{sk(p)}$	Pulse skew ($t_{PHL} - t_{PLH}$)	See Figure 1	25°C		4	6	ns
			-55°C to 125°C			7	
t_t	Transition time	See Figure 1	25°C		3	10	ns
			-55°C to 125°C			16	



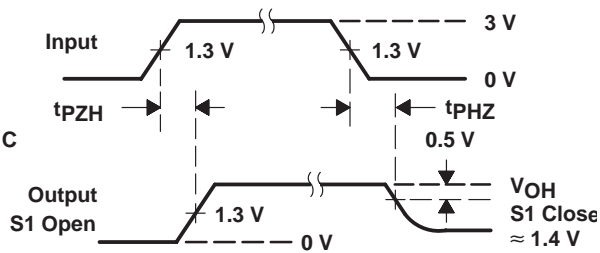
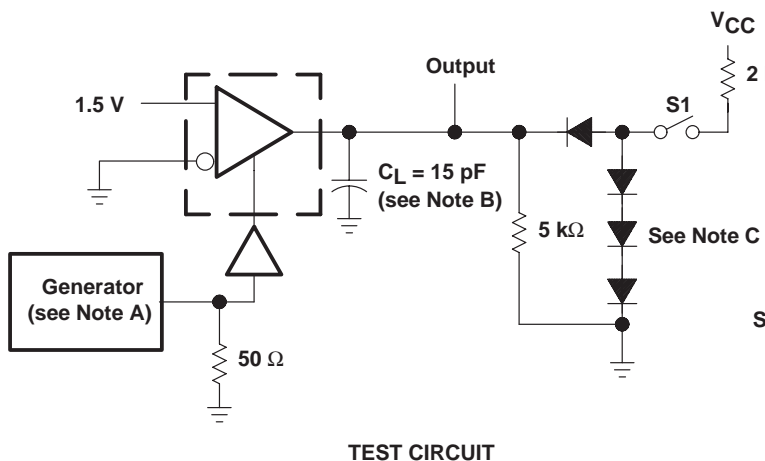
PARAMETER MEASUREMENT INFORMATION



VOLTAGE WAVEFORMS

- NOTES: A. The input pulse is supplied by a generator having the following characteristics: PRR = 1 MHz, duty cycle $\leq 50\%$, $t_r \leq 6 \text{ ns}$, $t_f \leq 6 \text{ ns}$, $Z_O = 50 \Omega$.
 B. C_L includes probe and jig capacitance.

Figure 1. t_{PLH} and t_{PHL} Test Circuit and Voltage Waveforms



VOLTAGE WAVEFORMS

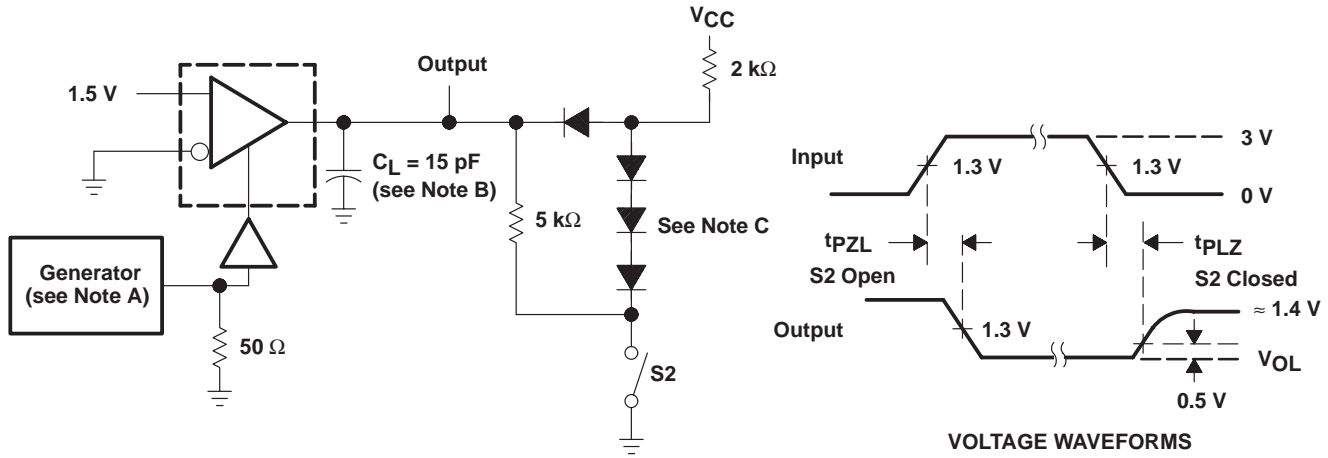
- NOTES: A. The input pulse is supplied by a generator having the following characteristics: PRR = 1 MHz, duty cycle $\leq 50\%$, $t_r \leq 6 \text{ ns}$, $t_f \leq 6 \text{ ns}$, $Z_O = 50 \Omega$.
 B. C_L includes probe and jig capacitance.
 C. All diodes are 1N916 or equivalent.

Figure 2. t_{PHZ} and t_{PZH} Test Circuit and Voltage Waveforms

SN55LBC175 QUADRUPLE LOW-POWER DIFFERENTIAL LINE RECEIVER

SGLS083 – MARCH 1995

PARAMETER MEASUREMENT INFORMATION



TEST CIRCUIT

- NOTES: A. The input pulse is supplied by a generator having the following characteristics: PRR = 1 MHz, duty cycle ≤ 50%, $t_r \leq 6$ ns, $t_f \leq 6$ ns, $Z_O = 50 \Omega$.
 B. C_L includes probe and jig capacitance.
 C. All diodes are 1N916 or equivalent.

Figure 3. t_{pZL} and t_{PLZ} Test Circuit and Voltage Waveforms

TYPICAL CHARACTERISTICS

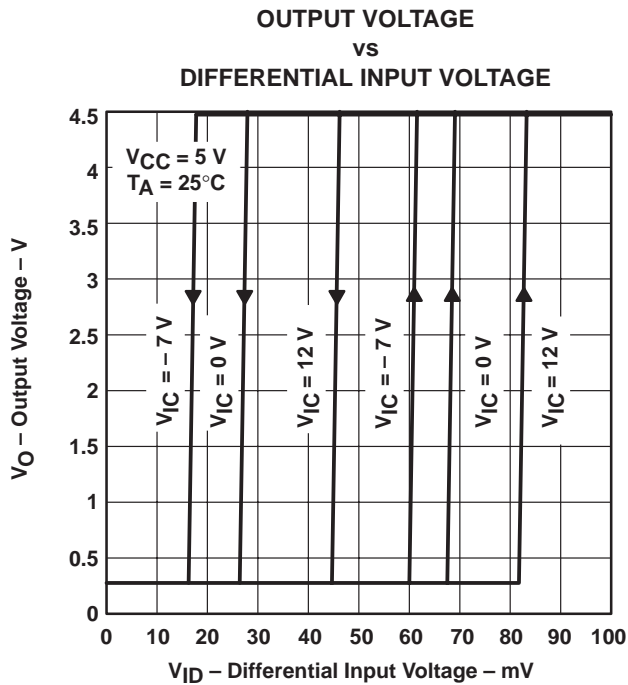


Figure 4

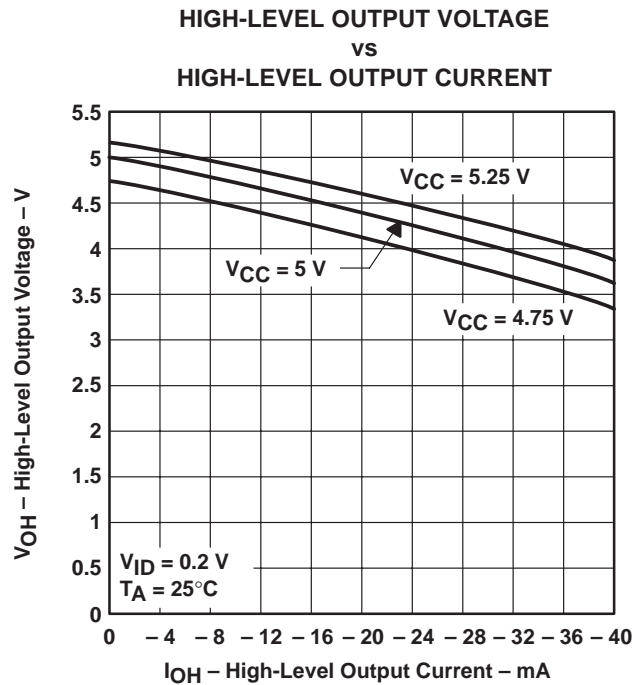


Figure 5

TYPICAL CHARACTERISTICS

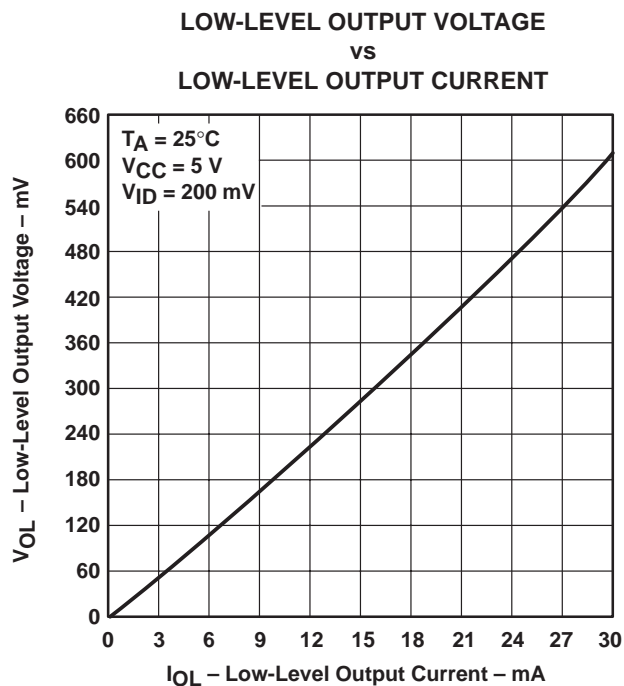


Figure 6

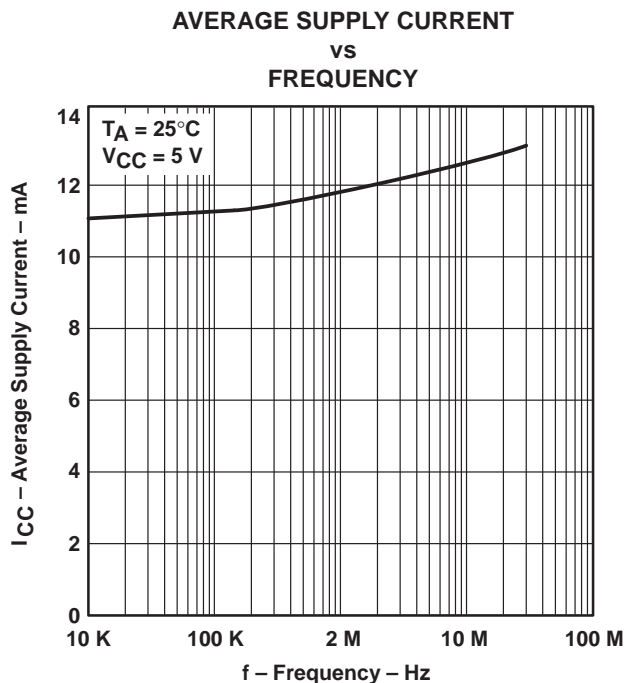


Figure 7

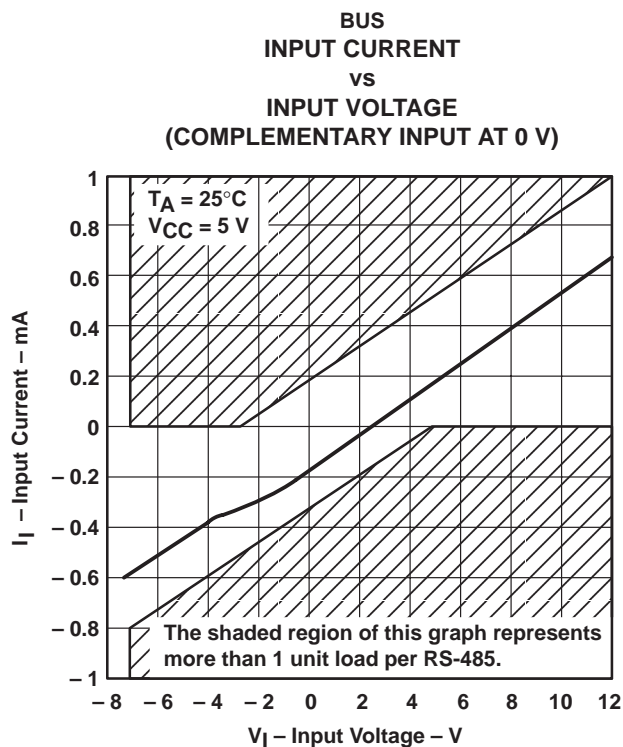


Figure 8

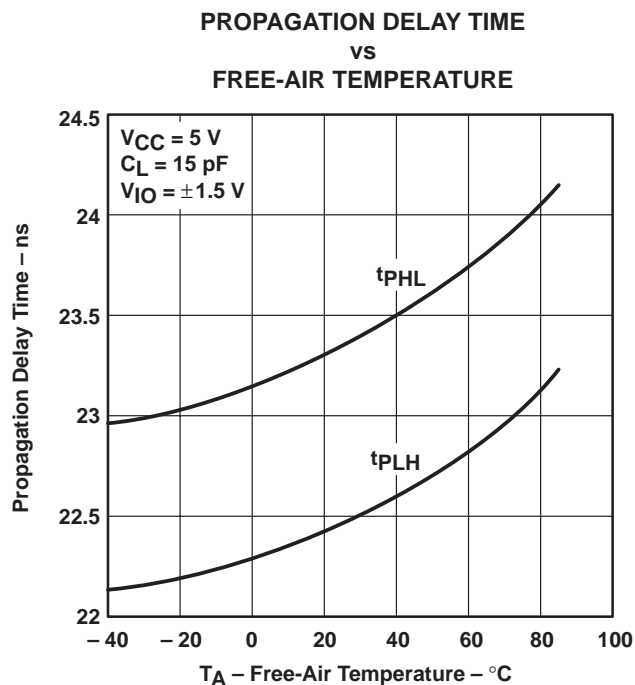


Figure 9

IMPORTANT NOTICE

Texas Instruments and its subsidiaries (TI) reserve the right to make changes to their products or to discontinue any product or service without notice, and advise customers to obtain the latest version of relevant information to verify, before placing orders, that information being relied on is current and complete. All products are sold subject to the terms and conditions of sale supplied at the time of order acknowledgement, including those pertaining to warranty, patent infringement, and limitation of liability.

TI warrants performance of its semiconductor products to the specifications applicable at the time of sale in accordance with TI's standard warranty. Testing and other quality control techniques are utilized to the extent TI deems necessary to support this warranty. Specific testing of all parameters of each device is not necessarily performed, except those mandated by government requirements.

CERTAIN APPLICATIONS USING SEMICONDUCTOR PRODUCTS MAY INVOLVE POTENTIAL RISKS OF DEATH, PERSONAL INJURY, OR SEVERE PROPERTY OR ENVIRONMENTAL DAMAGE ("CRITICAL APPLICATIONS"). TI SEMICONDUCTOR PRODUCTS ARE NOT DESIGNED, AUTHORIZED, OR WARRANTED TO BE SUITABLE FOR USE IN LIFE-SUPPORT DEVICES OR SYSTEMS OR OTHER CRITICAL APPLICATIONS. INCLUSION OF TI PRODUCTS IN SUCH APPLICATIONS IS UNDERSTOOD TO BE FULLY AT THE CUSTOMER'S RISK.

In order to minimize risks associated with the customer's applications, adequate design and operating safeguards must be provided by the customer to minimize inherent or procedural hazards.

TI assumes no liability for applications assistance or customer product design. TI does not warrant or represent that any license, either express or implied, is granted under any patent right, copyright, mask work right, or other intellectual property right of TI covering or relating to any combination, machine, or process in which such semiconductor products or services might be or are used. TI's publication of information regarding any third party's products or services does not constitute TI's approval, warranty or endorsement thereof.