

# uA2240C PROGRAMMABLE TIMER/COUNTER

SLFS045 – JUNE 1978 – REVISED MAY 1988

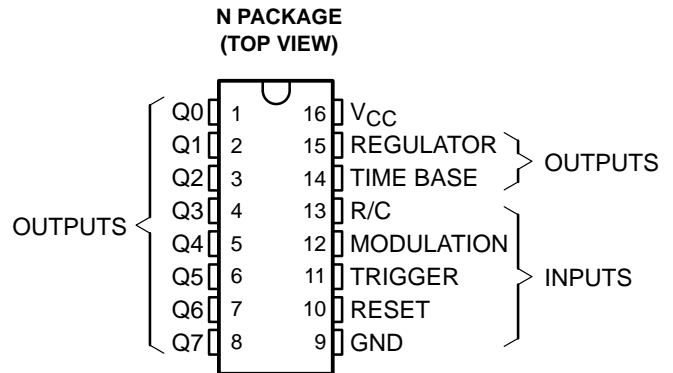
- Accurate Timing From Microseconds to Days
- Programmable Delays From 1 Time Constant to 255 Time Constants
- Outputs Compatible With TTL and CMOS
- Wide Supply-Voltage Range
- External Sync and Modulation Capability

## description

The uA2240C consists of a time-base oscillator, an 8-bit counter, a control flip-flop, and a voltage regulator. The frequency of the time-base oscillator is set by the time constant of an external resistor and capacitor at R/C and can be synchronized or modulated by signals applied to the modulation input. The output of the time-base section is applied directly to the input of the counter section and also appears at (TIME BASE). TIME BASE may be used to monitor the frequency of the oscillator, to provide an output pulse to other circuitry, or (with the time-base section disabled) to drive the counter input from an external source. The counter input is activated on a negative-going transition. The reset input stops the time-base oscillator and sets each binary output, Q0–Q7, and the time-base output to a TTL high level. After resetting, the trigger input starts the oscillator and all Q outputs go low. Once triggered, the uA2240C will ignore any signals at the trigger input until it is reset.

The uA2240C timer/counter may be operated in the free-running mode or with output-signal feedback to the reset input for automatic reset. Two or more binary outputs may be connected together to generate complex pulse patterns, or each output may be used separately to provide eight output frequencies. Using two circuits in cascade can provide precise time delays of up to three years.

The uA2240C is characterized for operation from 0°C to 70°C.



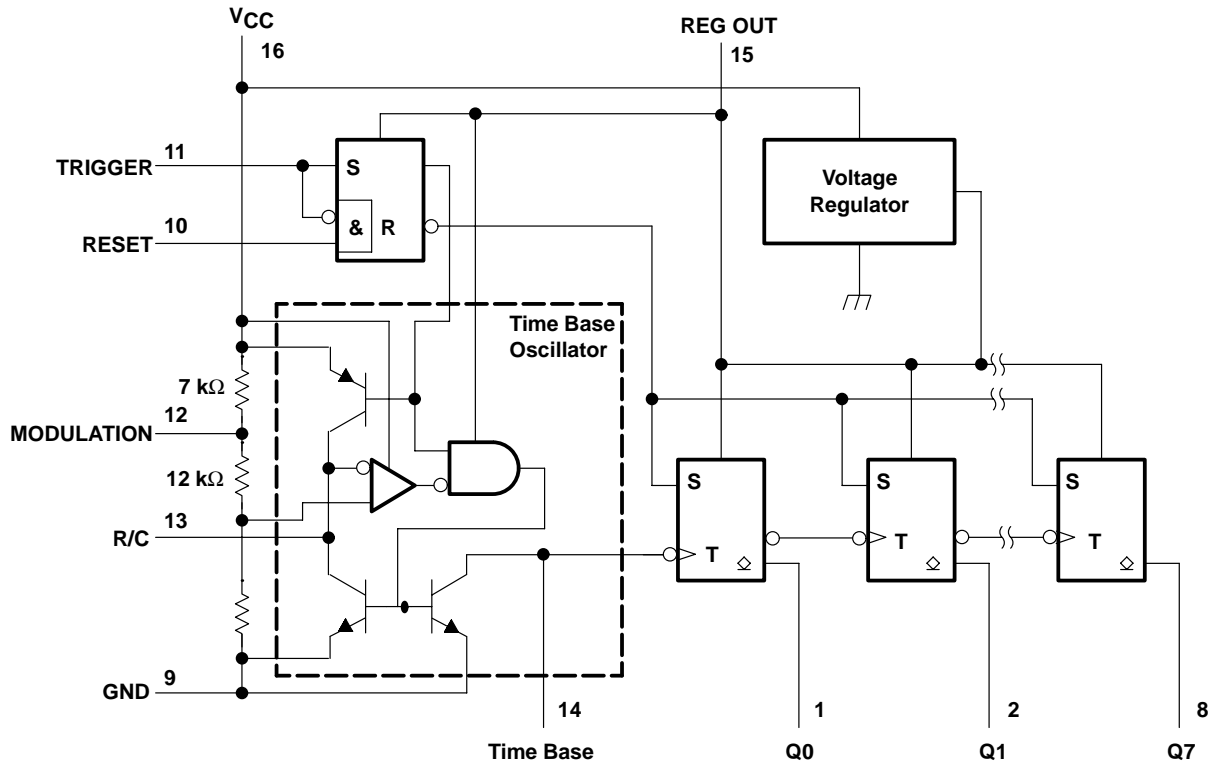
### AVAILABLE OPTIONS

SYMBOLIZATION		OPERATING TEMPERATURE RANGE	V <sub>T</sub> max AT 25°C
DEVICE	PACKAGE SUFFIX		
uA2240C	N	0°C to 70°C	2 V

# uA2240C PROGRAMMABLE TIMER/COUNTER

SLFS045 – JUNE 1978 – REVISED MAY 1988

## functional block diagram



◊ = open-collector outputs

## absolute maximum ratings over operating free-air temperature range (unless otherwise noted)

Supply voltage, $V_{CC}$ (see Note 1)	18 V
Output voltage: Q0–Q7	18 V
Output current: Q0–Q7	10 mA
Regulator output current	–5 mA
Continuous total dissipation at (or below) 25°C free-air temperature	650 mW
Operating free-air temperature range	0°C to 70°C
Lead temperature 1,6 mm (1/16 inch) from case for 10 seconds	260°C

NOTE 1: Voltage values are with respect to the network ground terminal.

## recommended operating conditions

	MIN	NOM	MAX	UNIT
Supply voltage, $V_{CC}$ (see Note 2)	4		14	V
Timing resistor	0.001		10	MΩ
Timing capacitor	0.01		1000	μF
Counter input frequency (Pin 14)		1.5		MHz
Pull-up resistor, time-based output		20		kΩ
Trigger and reset input pulse voltage	2	3		V
Trigger and reset input pulse duration	2			μs
External clock input pulse voltage	3			V
External clock input pulse duration	1			μs

NOTE 2: For operation with  $V_{CC} \leq 4.5$  V, short regulator output to  $V_{CC}$ .



POST OFFICE BOX 655303 • DALLAS, TEXAS 75265  
POST OFFICE BOX 1443 • HOUSTON, TEXAS 77251-1443

**electrical characteristics at 25°C free-air temperature**

PARAMETER	TEST CIRCUIT	TEST CONDITIONS	MIN	TYP	MAX	UNIT
Regulator output voltage	1	$V_{CC} = 5\text{ V}$ , TRIGGER and RESET open or grounded	3.9	4.4		V
	2	$V_{CC} = 15\text{ V}$ , TRIGGER and RESET open or grounded	5.8	6.3	6.8	
Modulation input open circuit voltage	1	$V_{CC} = 5\text{ V}$ , TRIGGER and RESET open or grounded	2.8	3.5	4.2	V
		$V_{CC} = 15\text{ V}$ , TRIGGER and RESET open or grounded		10.5		
Trigger threshold voltage	1	$V_{CC} = 5\text{ V}$ , RESET at 0 V		1.4	2	V
High-level trigger current	1	$V_{CC} = 5\text{ V}$ , TRIGGER at 2 V, RESET at 0 V		10		$\mu\text{A}$
Reset threshold voltage	1	$V_{CC} = 5\text{ V}$ , TRIGGER at 0 V		1.4	2	V
High-level reset current	1	$V_{CC} = 5\text{ V}$ , TRIGGER at 0 V		10		$\mu\text{A}$
Counter input (time base) threshold voltage	2	$V_{CC} = 5\text{ V}$ , TRIGGER and RESET open or grounded	1	1.4		V
Low-level output current, Q0–Q7	2	$V_{CC} = 5\text{ V}$ , TRIGGER at 2 V, RESET at 0 V, $V_{OL} < 0.4\text{ V}$	2	4		mA
High-level output current, Q0–Q7	2	$V_{OH} = 15\text{ V}$ , RESET at 2 V, TRIGGER at 0 V		0.01	15	$\mu\text{A}$
Supply current	1	$V_{CC} = 5\text{ V}$ , TRIGGER at 0 V, RESET at 5 V		4	7	mA
	1	$V_{CC} = 15\text{ V}$ , TRIGGER at 0 V, RESET at 5 V		13	18	
	3	$V_{+} = 4\text{ V}$		1.5		

**operating characteristics at 25°C free-air temperature (unless otherwise noted)**

PARAMETER	TEST CIRCUIT	TEST CONDITIONS†	MIN	TYP	MAX	UNIT
Initial error of time base‡	1	$V_{CC} = 5\text{ V}$ , TRIGGER at 5 V, RESET at 0 V		$\pm 0.5$	$\pm 5$	%
Temperature coefficient of time-base period	1	$T_A = 0^{\circ}\text{C}$ to $70^{\circ}\text{C}$	$V_{CC} = 5\text{ V}$		-200	ppm/°C
			$V_{CC} = 15\text{ V}$		-80	
Supply voltage sensitivity of time-base period	1	$V_{CC} \geq 8\text{ V}$		-0.08	-0.3	%/V
Time-base output frequency	1	$V_{CC} = 5\text{ V}$ , R = MIN, C = MIN		130		kHz
Propagation delay time		See Note 3	From TRIGGER input		1	$\mu\text{s}$
			From RESET input		0.8	
Output rise time	2	$R_L = 3\text{ k}\Omega$ , $C_L = 10\text{ pF}$	Q0–Q7		180	ns
Output fall time					180	

† For conditions shown as MIN or MAX, use the appropriate value specified under recommended operating conditions.

‡ This is the time-base period error due only to the uA2240C and expressed as a percentage of nominal (1.00 RC).

NOTE 3: Propagation delay time is measured from the 50% point on the leading edge of an input pulse to the 50% point on the leading edge of the resulting change of state at Q0.

# uA2240C PROGRAMMABLE TIMER/COUNTER

SLFS045 – JUNE 1978 – REVISED MAY 1988

## PARAMETER MEASUREMENT INFORMATION

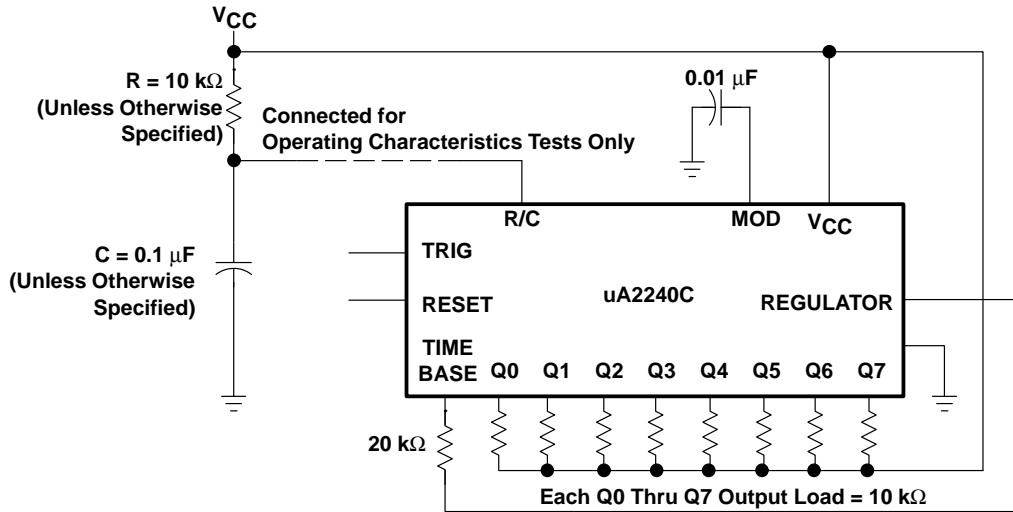


Figure 1. General Test Circuit

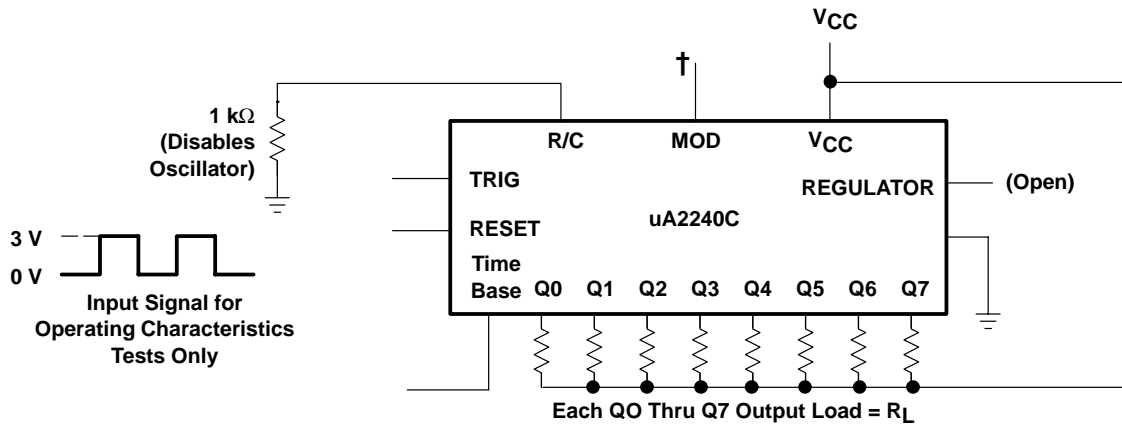
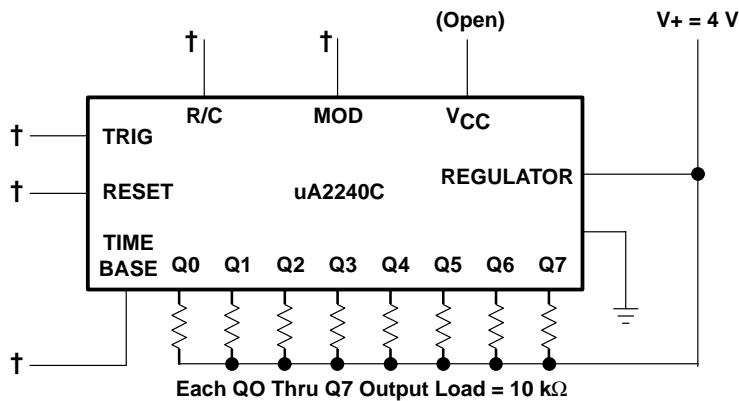


Figure 2. Counter Test Circuit



† These connections may be open or ungrounded for this test.

Figure 3. Reduced-Power Test Circuit (Time Base Disabled)



TYPICAL CHARACTERISTICS

NORMALIZED TIME-BASE PERIOD  
vs  
MODULATION INPUT VOLTAGE

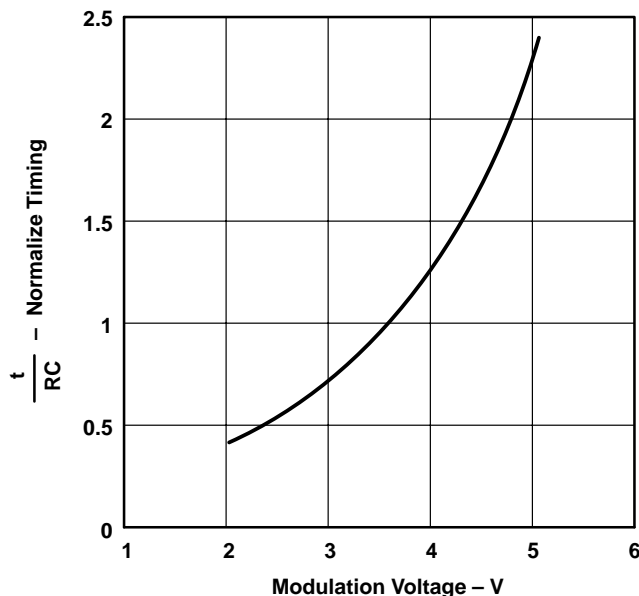


Figure 4

APPLICATION INFORMATION

Figure 5 shows voltage waveforms for typical operation of the uA2240C. If both RESET and TRIGGER are low during power up, the timer/counter will be in a reset state with all binary (Q) outputs high and the oscillator stopped. In this state, a high level on the trigger input starts the time-base oscillator. The initial negative-going pulse from the oscillator sets the Q outputs to low logic levels at the beginning of the first time-base period. The uA2240C will ignore any further signals at the TRIGGER until after a reset signal is applied to RESET. With TRIGGER low, a high level at the reset input will set Q outputs high and stop the time-base oscillator. If the reset signal occurs while TRIGGER is high, the reset is ignored. If RESET remains high when TRIGGER goes low, the uA2240C will reset.

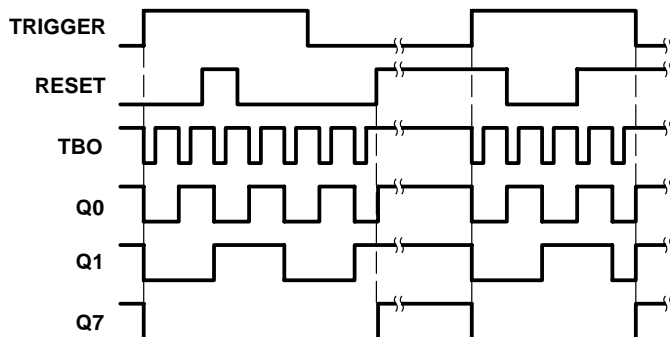


Figure 5. Timing Diagram of Output Waveform

# uA2240C PROGRAMMABLE TIMER/COUNTER

SLFS045 – JUNE 1978 – REVISED MAY 1988

## APPLICATION INFORMATION

In monostable applications of the uA2240C, one or more of the binary outputs will be connected to RESET as shown in Figure 6. The binary outputs are open-collector stages that can be connected together to a common pullup resistor to provide a wired-OR function. The combined output will be low as long as any one of the outputs is low. This type of arrangement can be used for time delays that are integer multiples of the time-base period. For example, if Q5 ( $2^5 = 32$ ) only is connected to the reset input, every trigger pulse will generate a 32-period active-low output. Similarly, if Q0, Q4, and Q5 are connected to RESET, each trigger pulse creates a 49-period delay.

In astable operation, the uA2240C will free-run from the time it is triggered until it receives an external reset signal.

The period of the time-base oscillator is equal to the RC time constant of an external resistor and capacitor connected as shown in Figure 6 when the modulation input is open (approximately 3.5 V internal, see Figure 4). Under conditions of high supply voltage ( $V_{CC} > 7\text{ V}$ ) and low value of timing capacitor ( $C < 0.1\ \mu\text{F}$ ), the pulse duration of the time-base oscillator may be too short to properly trigger the counters. This situation can be corrected by adding a 300-pF capacitor between the time-base output and ground. The time-base output (TBO) is an open-collector output that requires a 20-k $\Omega$  pullup resistor in  $V_{REG}$  for proper operation. The time-base pin may also be used as an input to the counters for an external timebase or as an active-low inhibit to interrupt counting without resetting.

The modulation input varies the ratio of the time-base period to the RC time constant as a function of the DC bias voltage (see Figure 4). It can also be used to synchronize the timer/counter to an external clock or sync signal.

The regulator output is used internally to drive the binary counters and the control logic. This terminal can be used to supply voltage to additional uA2240C devices to minimize power dissipation when several timer circuits are cascaded. For circuit operation with an external clock, the regulator output can be used as the  $V_{CC}$  input terminal to power down the internal time base and reduce power dissipation. When supply voltages less than 4.5 V are used with the internal time base,  $V_{REG}$  should be shorted to  $V_{CC}$ .

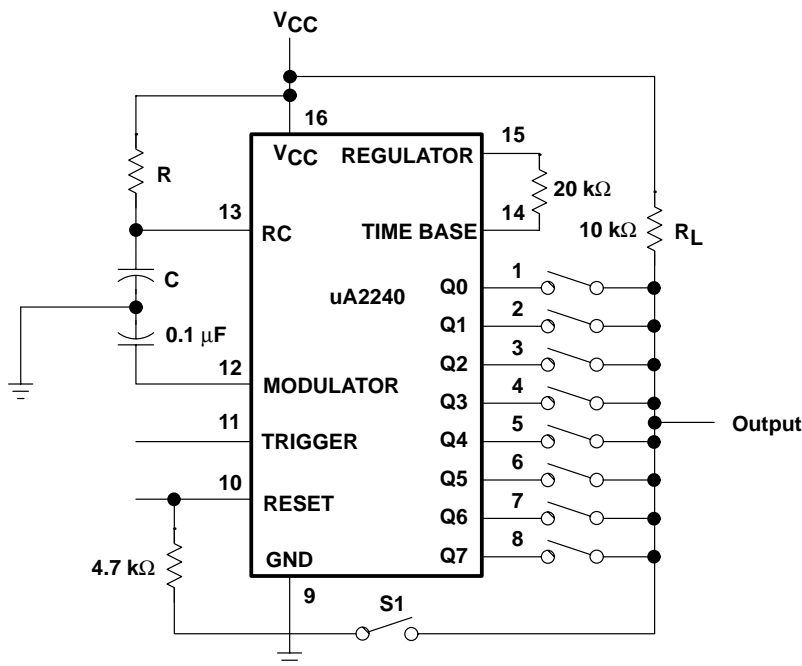


Figure 6. Basic Connections for Timing Applications

## **IMPORTANT NOTICE**

Texas Instruments (TI) reserves the right to make changes to its products or to discontinue any semiconductor product or service without notice, and advises its customers to obtain the latest version of relevant information to verify, before placing orders, that the information being relied on is current.

TI warrants performance of its semiconductor products and related software to the specifications applicable at the time of sale in accordance with TI's standard warranty. Testing and other quality control techniques are utilized to the extent TI deems necessary to support this warranty. Specific testing of all parameters of each device is not necessarily performed, except those mandated by government requirements.

Certain applications using semiconductor products may involve potential risks of death, personal injury, or severe property or environmental damage ("Critical Applications").

**TI SEMICONDUCTOR PRODUCTS ARE NOT DESIGNED, INTENDED, AUTHORIZED, OR WARRANTED TO BE SUITABLE FOR USE IN LIFE-SUPPORT APPLICATIONS, DEVICES OR SYSTEMS OR OTHER CRITICAL APPLICATIONS.**

Inclusion of TI products in such applications is understood to be fully at the risk of the customer. Use of TI products in such applications requires the written approval of an appropriate TI officer. Questions concerning potential risk applications should be directed to TI through a local SC sales office.

In order to minimize risks associated with the customer's applications, adequate design and operating safeguards should be provided by the customer to minimize inherent or procedural hazards.

TI assumes no liability for applications assistance, customer product design, software performance, or infringement of patents or services described herein. Nor does TI warrant or represent that any license, either express or implied, is granted under any patent right, copyright, mask work right, or other intellectual property right of TI covering or relating to any combination, machine, or process in which such semiconductor products or services might be or are used.