

- Formerly TLP298
- 2-A Output Current Capability Per Full-H Driver
- Applications Include Half-H and Full-H Solenoid Drivers and Motor Drivers
- Wide Range of Output Supply Voltage
5 V to 46 V
- Separate Input-Logic Supply Voltage
Thermal Shutdown
- Internal Electrostatic Discharge Protection
- High Noise Immunity
- 3-State Outputs
- Minimized Power Dissipation
- Sink/Source Interlock Circuitry Prevents Simultaneous Conduction
- Improved Functional Replacement for the SGS L298

description

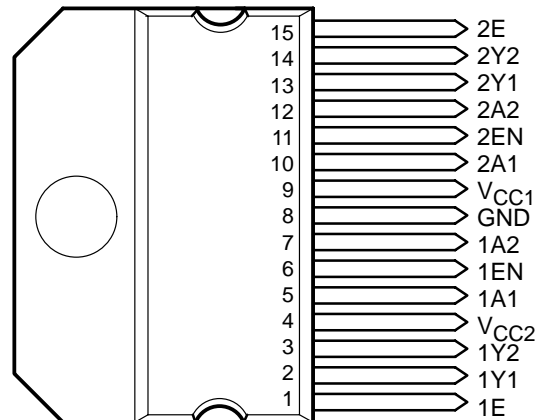
The TPIC0298 is a dual high-current full-H driver designed to provide bidirectional drive currents of up to 2 A at voltages from 5 V to 46 V. It is designed to drive inductive loads such as relays, solenoids, dc motors, stepping motors, and other high-current or high-voltage loads in positive-supply applications. All inputs are TTL compatible. Each output (Y) is a complete totem-pole drive with a Darlington transistor sink and a pseudo-Darlington source. Each full-H driver is enabled separately. Outputs 1Y1 and 1Y2 are enabled by 1EN and outputs 2Y1 and 2Y2 are enabled by 2EN. When an EN input is high, the associated channels are active. When an EN input is low, the associated channels are off (i.e., in the high-impedance state).

Each half of the device forms a full-H reversible driver suitable for solenoid or motor applications. The current in each full-H driver can be monitored by connecting a resistor between the sense output terminal 1E and GND and another resistor between sense output terminal 2E and GND.

External high-speed output-clamp diodes should be used for inductive transient suppression. To minimize device power dissipation, a V_{CC1} supply voltage, separate from V_{CC2} , is provided for the logic inputs.

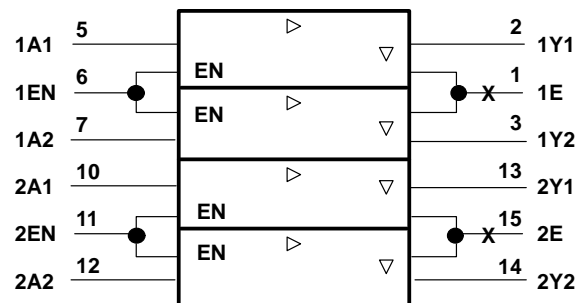
The TPIC0298 is designed for operation from 0°C to 70°C.

KV PACKAGE
(TOP VIEW)



The tab is electrically connected to GND.

logic symbol†



† This symbol is in accordance with ANSI/IEEE Std 91-1984 and IEC Publication 617-12.

FUNCTION TABLE

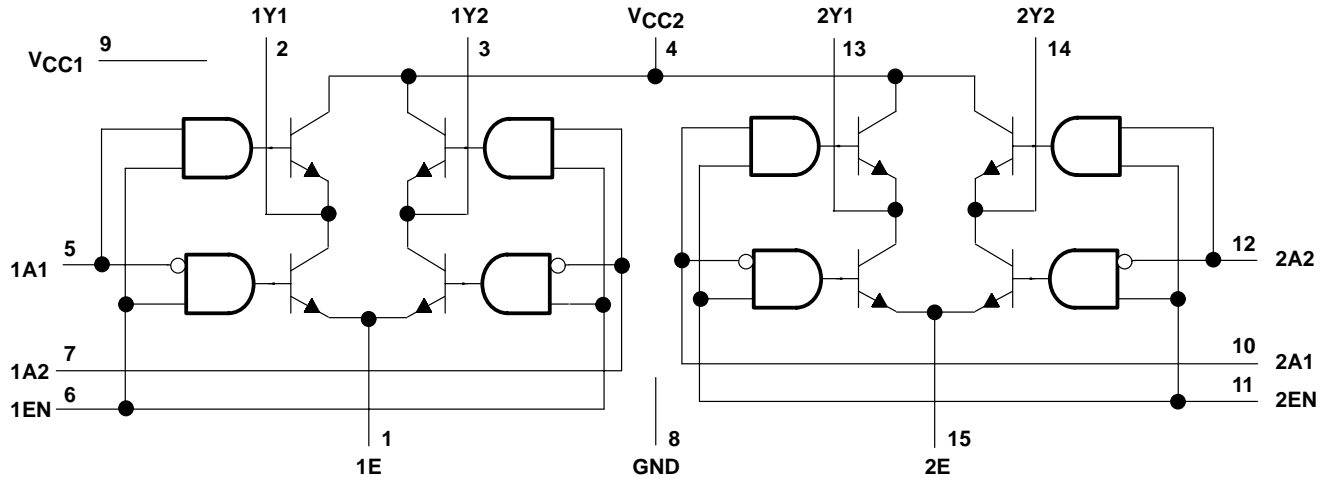
INPUTS		OUTPUT
A	EN	Y
H	H	H
L	H	L
X	L	Z

H = high-level, L = low-level
X = irrelevant
Z = high-impedance (off)

TPIC0298 DUAL FULL-H DRIVER

SLIS006 – D2942, JUNE 1987 – REVISED JANUARY 1990

logic diagram (positive logic)



absolute maximum ratings over operating temperature range (unless otherwise noted)

Logic supply voltage range, V_{CC1} (see Note 1)	–0.3 V to 7 V
Output supply voltage range, V_{CC2}	–0.3 V to 50 V
Input voltage range at A or EN, V_I (see Note 2)	–1.6 V to 7 V
Output voltage range, V_O	–2 V to $V_{CC2} + 2$ V
Emitter terminal (1E and 2E) voltage range, V_E	–0.5 V to 2.3 V
Emitter terminal (1E and 2E) voltage (nonrepetitive, $t_w \leq 50 \mu\text{s}$)	–1 V
Input current at A or EN, I_I	–15 mA
Peak output current, I_{OM} : (nonrepetitive, $t_w \leq 0.1$ ms)	± 3 A
(repetitive, $t_w \leq 10$ ms, duty cycle $\leq 80\%$)	± 2.5 A
Continuous output current, I_O	± 2 A
Peak combined output current for each full-H driver (see Note 3):	
(nonrepetitive, $t_w \leq 0.1$ ms)	± 3 A
(repetitive, $t_w \leq 10$ ms, duty cycle $\leq 80\%$)	± 2.5 A
Continuous combined output current for each full-H driver (see Note 3)	± 2 A
Continuous dissipation at (or below) 25°C free-air temperature (see Note 4)	3.575 W
Continuous dissipation at (or below) 75°C case temperature (see Note 4)	25 W
Operating free-air, case, or virtual junction temperature range	–40°C to 150°C
Storage temperature range	–65°C to 150°C
Lead temperature 1,6 mm (1/16 inch) from case for 10 seconds	260°C

NOTES: 1. All voltage values are with respect to the network GND, unless otherwise noted.

2. The maximum current limitation at this terminal generally occurs at a voltage of lower magnitude than the voltage limit. Neither the maximum current nor the maximum voltage for this terminal should be exceeded.

3. Combined output current applies to each of the two full-H drivers individually. This current is the sum of the currents at outputs 1Y1 and 1Y2 for full-H driver 1 and the sum of the currents at outputs 2Y1 and 2Y2 for full-H driver 2. The full-H drivers can carry the rated combined current simultaneously.

4. For operation above 25°C free-air temperature, derate linearly at the rate of 28.6 mW/°C. For operation above 75°C case temperature, derate linearly at the rate of 333 mW/°C. Due to variations in individual device electrical characteristics and thermal resistance, the built-in thermal overload protection may be activated at power levels slightly above or below the rated dissipation.

recommended operating conditions

		MIN	MAX	UNIT
Logic supply voltage, V_{CC1}		4.5	7	V
Output supply voltage, V_{CC2}		5	46	V
Emitter terminal (1E or 2E) voltage, V_E (see Note 5)		-0.5†	2	V
		$V_{CC1} - 3.5$ $V_{CC2} - 4$		
High-level input voltage, V_{IH} (see Note 5)	A	2.3	V_{CC1} $V_{CC2} - 2.5$	V
	EN	2.3	7 V_{CC1}	
Low-level input voltage at A or EN, V_{IL}		-0.3†	1.5	V
Output current, I_O			±2	A
Communication frequency			40	kHz
Operating free-air temperature, T_A		0	70	°C

† The algebraic convention, in which the least positive (most negative) limit is designated as minimum, is used in this data sheet for emitter terminal voltage and logic voltage levels.

NOTE 5: For optimum device performance, the maximum recommended voltage at any A input is 2.5 V lower than V_{CC2} , the maximum recommended voltage at any EN input is V_{CC1} , and the maximum recommended voltage at any emitter terminal is 3.5 V lower than V_{CC1} and 4 V lower than V_{CC2} .

electrical characteristics over recommended ranges of V_{CC1} , V_{CC2} , and V_E , $T_J = 25^\circ\text{C}$ (unless otherwise noted)

PARAMETER		TEST CONDITIONS		MIN	TYP†	MAX	UNIT
V_{IK}	Input clamp voltage	$I_I = -12 \text{ mA}$			-0.9	-1.5	V
V_{OH}	High-level output voltage	$I_{OH} = -1 \text{ A}$		$V_{CC2} - 1.8$	$V_{CC2} - 1.2$		V
		$I_{OH} = -2 \text{ A}$		$V_{CC2} - 2.8$	$V_{CC2} - 1.8$		
V_{OL}	Low-level output voltage	$I_{OL} = 1 \text{ A}$			$V_E + 1.2$	$V_E + 1.8$	V
		$I_{OL} = 2 \text{ A}$			$V_E + 1.7$	$V_E + 2.6$	
V_{drop}	Total source pulse sink output voltage drop	$I_{OH} = -1 \text{ A}$, $I_{OL} = 1 \text{ A}$	See Note 6		2.4	3.4	V
		$I_{OH} = -2 \text{ A}$, $I_{OL} = 2 \text{ A}$			3.5	5.2	
I_{OZH}	Off-state (high-impedance state) output current, high-level voltage applied	$V_O = V_{CC2}$				500	μA
I_{OZL}	Off-state (high-impedance state) output current, low-level voltage applied	$V_O = 0 \text{ V}$, $V_E = 0 \text{ V}$				-500	μA
I_{IH}	High-level input current	A	$V_I = V_{IH}$	EN = H	20	100	μA
			EN = L		10		
		EN	$V_I = V_{IH} \leq V_{CC1} - 0.6 \text{ V}$		6	100	
I_{IL}	Low-level input current	$V_I = 0 \text{ V to } 1.5 \text{ V}$				-10	μA
I_{CC1}	Logic supply current	$I_O = 0$	All outputs at high level		7	12	mA
			All outputs at low level		20	32	
			All outputs at high impedance		4	6	
I_{CC2}	Output supply current	$I_O = 0$	All outputs at high level		25	50	mA
			All outputs at low level		6	20	
			All outputs at high impedance			2	

† All typical values are at $V_{CC1} = 5 \text{ V}$, $V_{CC2} = 42 \text{ V}$, $V_E = 0 \text{ V}$, $T_J = 25^\circ\text{C}$ (unless otherwise noted).

NOTE 6: The V_{drop} specification applies for I_{OH} and I_{OL} applied simultaneously to different output channels:

$$V_{drop} = V_{CC2} - V_{OH} + V_{OL} - V_E$$

TPIC0298

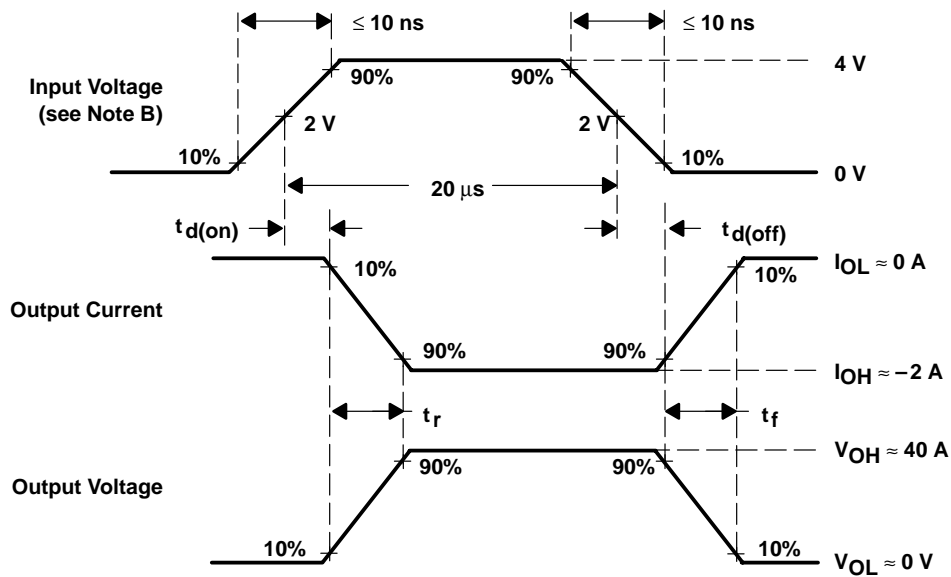
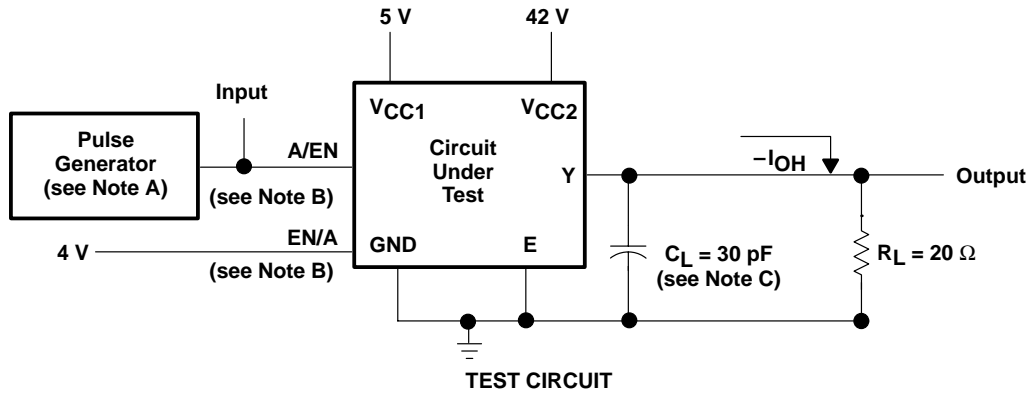
DUAL FULL-H DRIVER

SLIS006 – D2942, JUNE 1987 – REVISED JANUARY 1990

switching characteristics, $V_{CC1} = 5\text{ V}$, $V_{CC2} = 42\text{ V}$, $V_E = 0$, $T_A = 25^\circ\text{C}$

PARAMETER		TEST CONDITIONS	MIN	TYP	MAX	UNIT
$t_{d(on)}$	Turn-on delay time, source current from A input	$C_L = 30\text{ pF}$, See Figure 1		0.6		μs
$t_{d(off)}$	Turn-off delay time, source current from A input			0.8		μs
t_r	Rise time, source current (turning on)			0.8		μs
t_f	Fall time, source current (turning off)			0.2		μs
$t_{d(on)}$	Turn-on delay time, source current from EN input			0.5		μs
$t_{d(off)}$	Turn-off delay time, source current from EN input			2.5		μs
$t_{d(on)}$	Turn-on delay time, sink current from A input	$C_L = 30\text{ pF}$, See Figure 2		1.3		μs
$t_{d(off)}$	Turn-off delay time sink current from A input			0.5		μs
t_r	Rise time, sink current (turning on)			0.2		μs
t_f	Fall time, sink current (turning off)			0.2		μs
$t_{d(on)}$	Turn-on delay time, sink current from EN input			0.3		μs
$t_{d(off)}$	Turn-off delay time, sink current from EN input			1		μs

PARAMETER MEASUREMENT INFORMATION

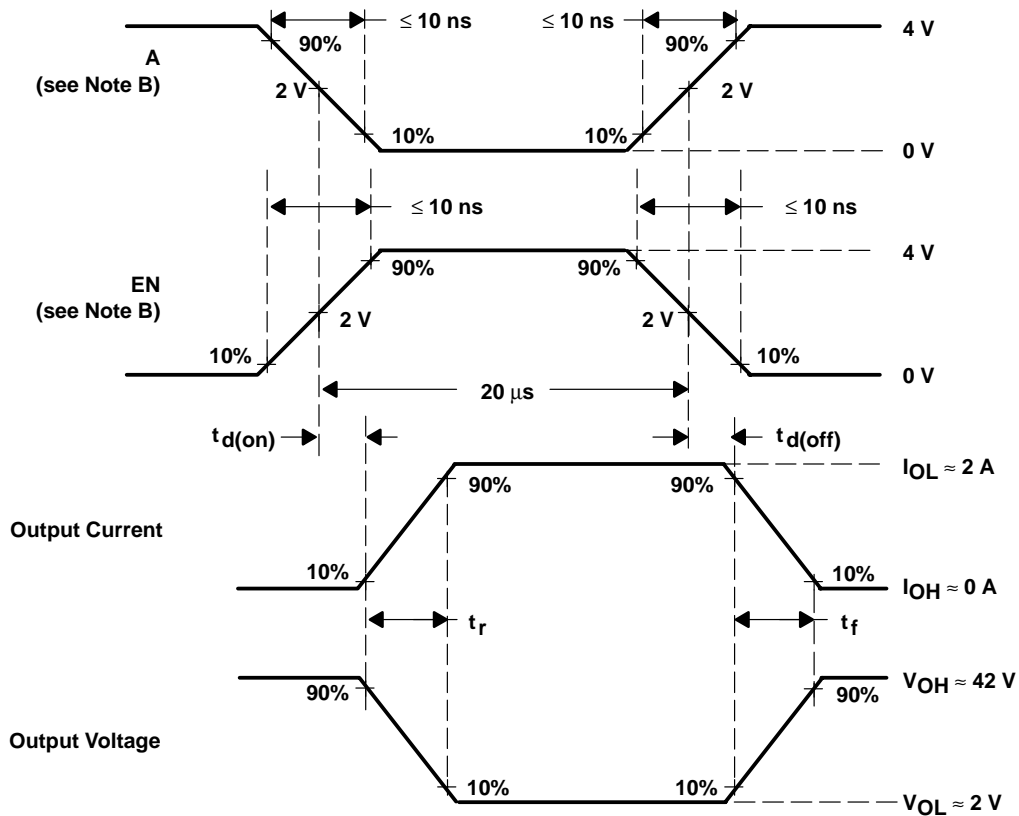
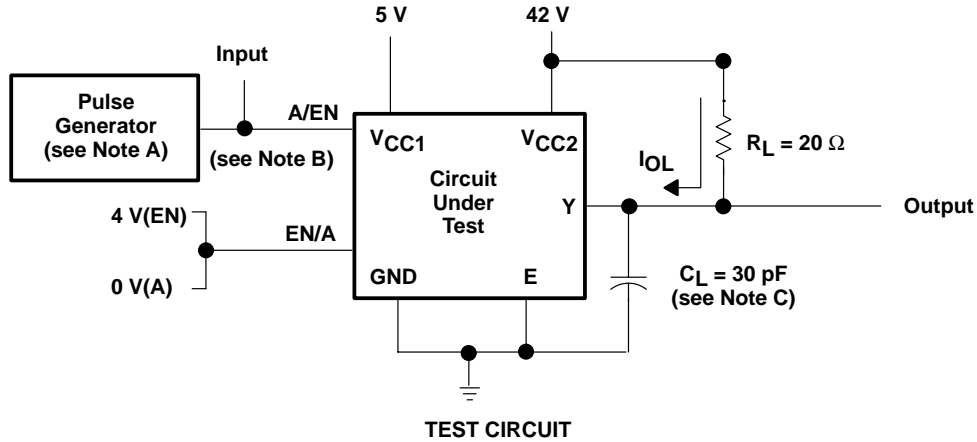


VOLTAGE AND CURRENT WAVEFORMS

- NOTES: A. The pulse generator has the following characteristics: PRR = 2 kHz, $Z_O = 50 \Omega$.
 B. EN is at 4 V if A is used as the switching input. A is at 4 V if EN is the switching input.
 C. C_L includes probe and jig capacitance.

Figure 1. Source Current Test Circuit and Waveforms From Data and Enable Inputs

PARAMETER MEASUREMENT INFORMATION



VOLTAGE AND CURRENT WAVEFORMS

- NOTES: A. The pulse generator has the following characteristics: PRR = 2 kHz, $Z_O = 50 \Omega$.
 B. EN is at 4 V if A is used as the switching input. A is at 0 V if EN is the switching input.
 C. C_L includes probe and jig capacitance.

Figure 2. Sink Current Test Circuit and Voltage Waveforms From Data and Enable Inputs

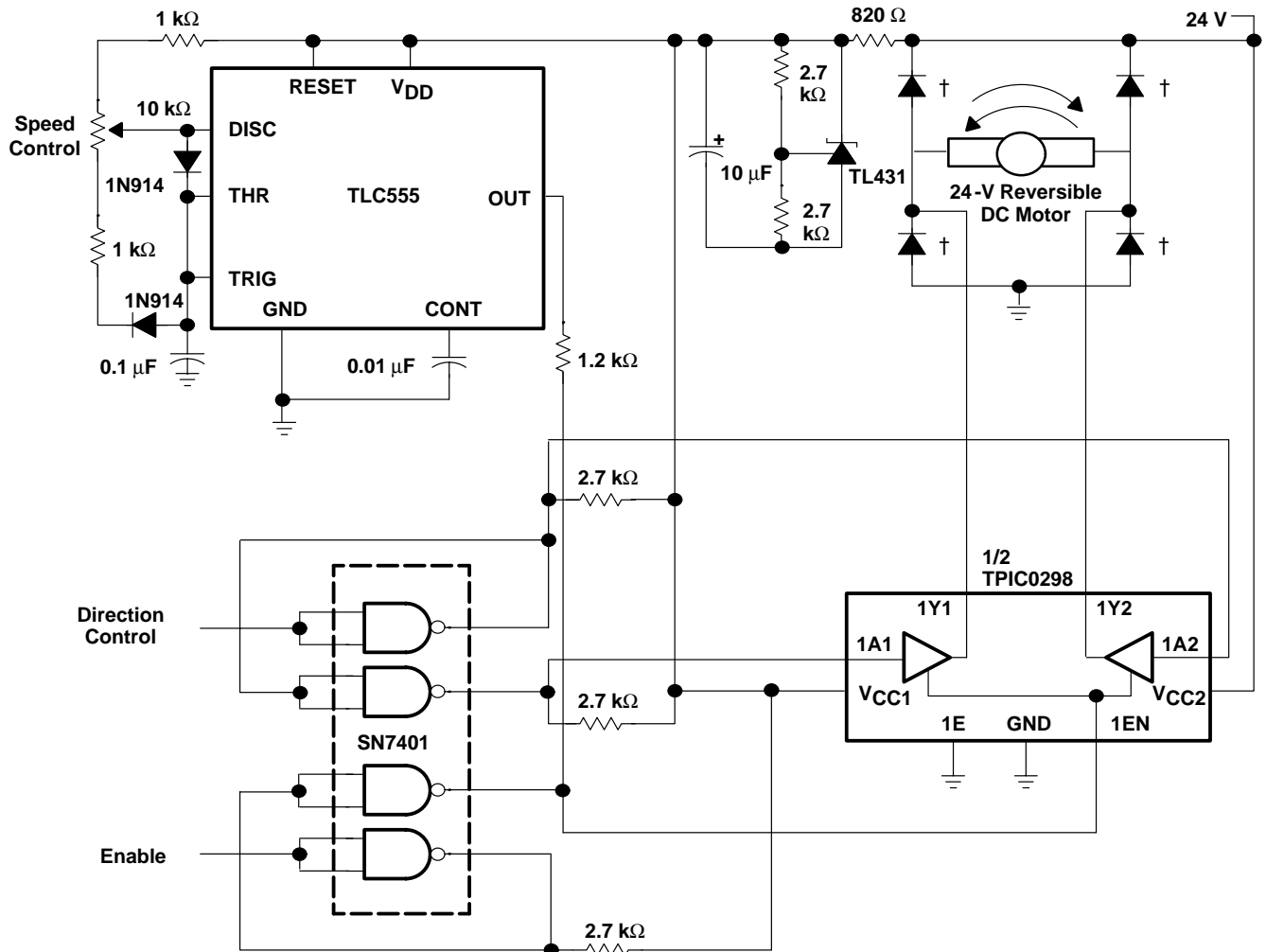
APPLICATION INFORMATION

This circuit shows one half of a TPIC0298 used to provide full-H bridge drive for a 24-V, 2-A dc motor. Speed control is achieved with a TLC555 timer. This provides variable duty-cycle pulses to the EN input of the TPIC0298. In this configuration, the operating frequency is approximately 1.2 kHz. The duty cycle is adjustable from 10% to 90% to provide a wide range of motor speeds. The motor direction is determined by the logic level at the direction control input. The circuit can be enabled or disabled by the logic level at the EN input. A 5-V supply for the logic and timer circuit is provided by a TL431 shunt regulator. For circuit operation, refer to the function table.

FUNCTION TABLE

ENABLE	DIRECTION CONTROL	1Y1	1Y2
H	H	Source	Sink
H	L	Sink	Source
L	X	Disabled	Disabled

X = don't care H = high level L = low level



† Diodes are 1N4934 or equivalent.

Figure 3. TPIC0298 as Bidirectional-DC Motor Drive

IMPORTANT NOTICE

Texas Instruments (TI) reserves the right to make changes to its products or to discontinue any semiconductor product or service without notice, and advises its customers to obtain the latest version of relevant information to verify, before placing orders, that the information being relied on is current.

TI warrants performance of its semiconductor products and related software to the specifications applicable at the time of sale in accordance with TI's standard warranty. Testing and other quality control techniques are utilized to the extent TI deems necessary to support this warranty. Specific testing of all parameters of each device is not necessarily performed, except those mandated by government requirements.

Certain applications using semiconductor products may involve potential risks of death, personal injury, or severe property or environmental damage ("Critical Applications").

TI SEMICONDUCTOR PRODUCTS ARE NOT DESIGNED, INTENDED, AUTHORIZED, OR WARRANTED TO BE SUITABLE FOR USE IN LIFE-SUPPORT APPLICATIONS, DEVICES OR SYSTEMS OR OTHER CRITICAL APPLICATIONS.

Inclusion of TI products in such applications is understood to be fully at the risk of the customer. Use of TI products in such applications requires the written approval of an appropriate TI officer. Questions concerning potential risk applications should be directed to TI through a local SC sales office.

In order to minimize risks associated with the customer's applications, adequate design and operating safeguards should be provided by the customer to minimize inherent or procedural hazards.

TI assumes no liability for applications assistance, customer product design, software performance, or infringement of patents or services described herein. Nor does TI warrant or represent that any license, either express or implied, is granted under any patent right, copyright, mask work right, or other intellectual property right of TI covering or relating to any combination, machine, or process in which such semiconductor products or services might be or are used.