

# TPIC44L01, TPIC44L02, TPIC44L03 4-CHANNEL SERIAL AND PARALLEL LOW-SIDE PRE-FET DRIVER

SLIS062A – NOVEMBER 1996 – REVISED SEPTEMBER 1997

- 4-Channel Serial-in Parallel-in Low-Side Pre-FET Driver
- Devices Are Cascadable
- Internal 55-V Inductive Load Clamp and  $V_{GS}$  Protection Clamp for External Power FETs
- Independent Shorted-Load/Short-to-Battery Fault Detection on All Drain Terminals
- Independent OFF-State Open-Load Fault Sense
- Over-Battery-Voltage Lockout Protection and Fault Reporting
- Under-Battery Voltage Lockout Protection for the TPIC44L01 and TPIC44L02
- Asynchronous Open-Drain Fault Flag
- Device Output Can be Wire ORed with Multiple Devices
- Fault Status Returned Through Serial Output Terminal
- Internal Global Power-On Reset of Device and External RESET Terminal
- High-Impedance CMOS-Compatible Inputs With Hysteresis
- TPIC44L01 and TPIC44L03 Disables the Gate Output When a Shorted-Load Fault Occurs
- TPIC44L02 Transitions the Gate Output to a Low-Duty-Cycle PWM Mode When a Shorted-Load Fault Occurs

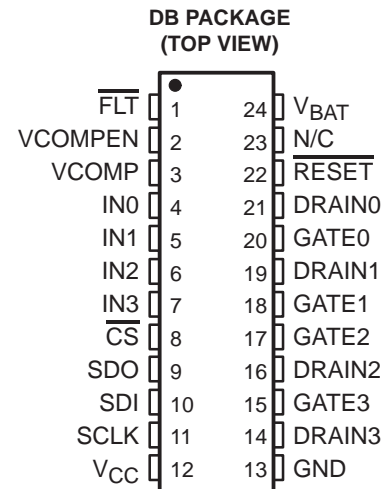
## description

The TPIC44L01, TPIC44L02, and TPIC44L03 are low-side predrivers that provide serial and parallel input interfaces to control four external FET power switches such as offered in the TI™ TPIC family of power arrays. These devices are designed primarily for low-frequency switching, inductive load applications such as solenoids and relays. Fault status for each channel is available in a serial-data format. Each driver channel has independent off-state open-load detection and on-state shorted-load/short-to-battery detection. Battery overvoltage and undervoltage detection and shutdown is provided on the TPIC44L01/L02. On the TPIC44L03 driver, only over-battery-voltage shutdown is provided. Each channel also provides inductive-voltage-transient protection for the external FET.

These devices provide control of output channels through a serial input interface or a parallel input interface. A command to enable the output from either interface enables the respective channels gate output to the external FET. The serial interface is recommended when the number of signals between the control device and the predriver must be minimized and the speed of operation is not critical. In applications where the predriver must respond very quickly or asynchronously, the parallel input interface is recommended.

For serial operation, the control device must transition  $\overline{CS}$  from high to low to activate the serial input interface. When this occurs, SDO is enabled, fault data is latched into the serial interface, and the fault flag is refreshed.

Data is clocked into the serial registers on low-to-high transitions of SCLK through SDI. Each string of data must consist of at least four-bits of data. In applications where multiple devices are cascaded together, the string of data must consist of 4 bits for each device. A high data bit turns the respective output channel on and a low data



Please be aware that an important notice concerning availability, standard warranty, and use in critical applications of Texas Instruments semiconductor products and disclaimers thereto appears at the end of this data sheet.

TI is a trademark of Texas Instruments Incorporated.

PRODUCTION DATA information is current as of publication date. Products conform to specifications per the terms of Texas Instruments standard warranty. Production processing does not necessarily include testing of all parameters.

 **TEXAS  
INSTRUMENTS**

POST OFFICE BOX 655303 • DALLAS, TEXAS 75265

Copyright © 1997, Texas Instruments Incorporated

# TPIC44L01, TPIC44L02, TPIC44L03

## 4-CHANNEL SERIAL AND PARALLEL LOW-SIDE PRE-FET DRIVER

SLIS062A – NOVEMBER 1996 – REVISED SEPTEMBER 1997

---

bit turns it off. Fault data for the device is clocked out of SDO as serial input data is clocked into the device. Fault data consists of fault flags for shorted-load and open-load flags (bits 0–3) for each of the four output channels. A high bit in the fault data indicates a fault and a low bit indicates that no fault is present for that channel. Fault register bits are set or cleared asynchronously to reflect the current state of the hardware. A fault must be present when  $\overline{CS}$  is transitioned from high to low to be captured and reported in the serial fault data. New faults cannot be captured in the serial register when  $\overline{CS}$  is low.  $\overline{CS}$  must be transitioned high after all of the serial data has been clocked into the device. A low-to-high transition of  $\overline{CS}$  transfers the last four bits of serial data to the output buffer puts SDO in a high-impedance state and clears and re-enables the fault register. The TPIC44L01/L02/L03 was designed to allow the serial input interfaces of multiple devices to be cascaded together to simplify the serial interface to the controller. Serial input data flows through the device and is transferred out SDO following the fault data in cascaded configurations.

For parallel operation, data is transferred directly from the parallel input interface IN0-IN3 to the respective GATE(0–3) output asynchronously. SCLK or  $\overline{CS}$  is not required for parallel control. A 1 on the parallel input turns the respective channel on, where a 0 turns it off. Note that either the serial input interface or the parallel input interface can enable a channel. Under parallel operation, fault data must still be collected through the serial data interface.

The predrivers monitor the drain voltage for each channel to detect shorted-load or open-load fault conditions in the on and off states respectively. These devices offer the option of using an internally generated fault-reference voltage or an externally supplied fault-reference voltage through VCOMP for fault detection. The internal fault reference is selected by connecting VCOMPEN to GND and the external reference is selected by connecting VCOMPEN to  $V_{CC}$ . The drain voltage is compared to the fault reference when the channel is turned on to detect shorted-load conditions and when the channel is off to detect open-load conditions. When a shorted fault occurs using the TPIC44L01 or the TPIC44L03, the channel is turned off and a fault flag is sent to the control device as well as to the serial fault register bits. If a fault occurs while using the TPIC44L02, the channel transitions into a low-duty-cycle, pulse-width-modulated (PWM) signal as long as the fault is present. Shorted-load fault conditions must be present for at least the shorted-load deglitch time,  $t_{(STBDG)}$ , to be flagged as a fault. A fault flag is sent to the control device as well as the serial fault register bits. More detail on fault detection operation is presented in the device operation section of this data sheet.

These devices provide protection from over-battery voltage and under-battery voltage conditions irrespective of the state of the output channels. When the battery voltage is greater than the overvoltage threshold or less than the undervoltage threshold, all channels are disabled and a fault flag is generated. Battery-voltage faults are not reported in the serial fault data. The outputs return to normal operation once the battery-voltage fault has been corrected. When an over-battery/under-battery voltage condition occurs, the device reports the battery fault, but disables fault reporting for open- and shorted-load conditions. Fault reporting for open- and shorted-load conditions are re-enabled after the battery fault condition has been corrected.

These devices provide inductive transient protection on all channels. The drain voltage is clamped to protect the FET. The clamp voltage is defined by the sum of  $V_C$  and turn-on voltage of the external FET. The predriver also provides a gate-to-source voltage ( $V_{GS}$ ) clamp to protect the gate-source terminals of the power FET from exceeding their rated voltages. An external active low  $\overline{RESET}$  is provided to clear all registers and flags in the device. GATE(0–3) outputs are disabled after  $\overline{RESET}$  has been pulled low.

These devices provide pulldown resistors on all inputs except  $\overline{CS}$  and  $\overline{RESET}$ . A pullup resistor is used on  $\overline{CS}$  and  $\overline{RESET}$ .

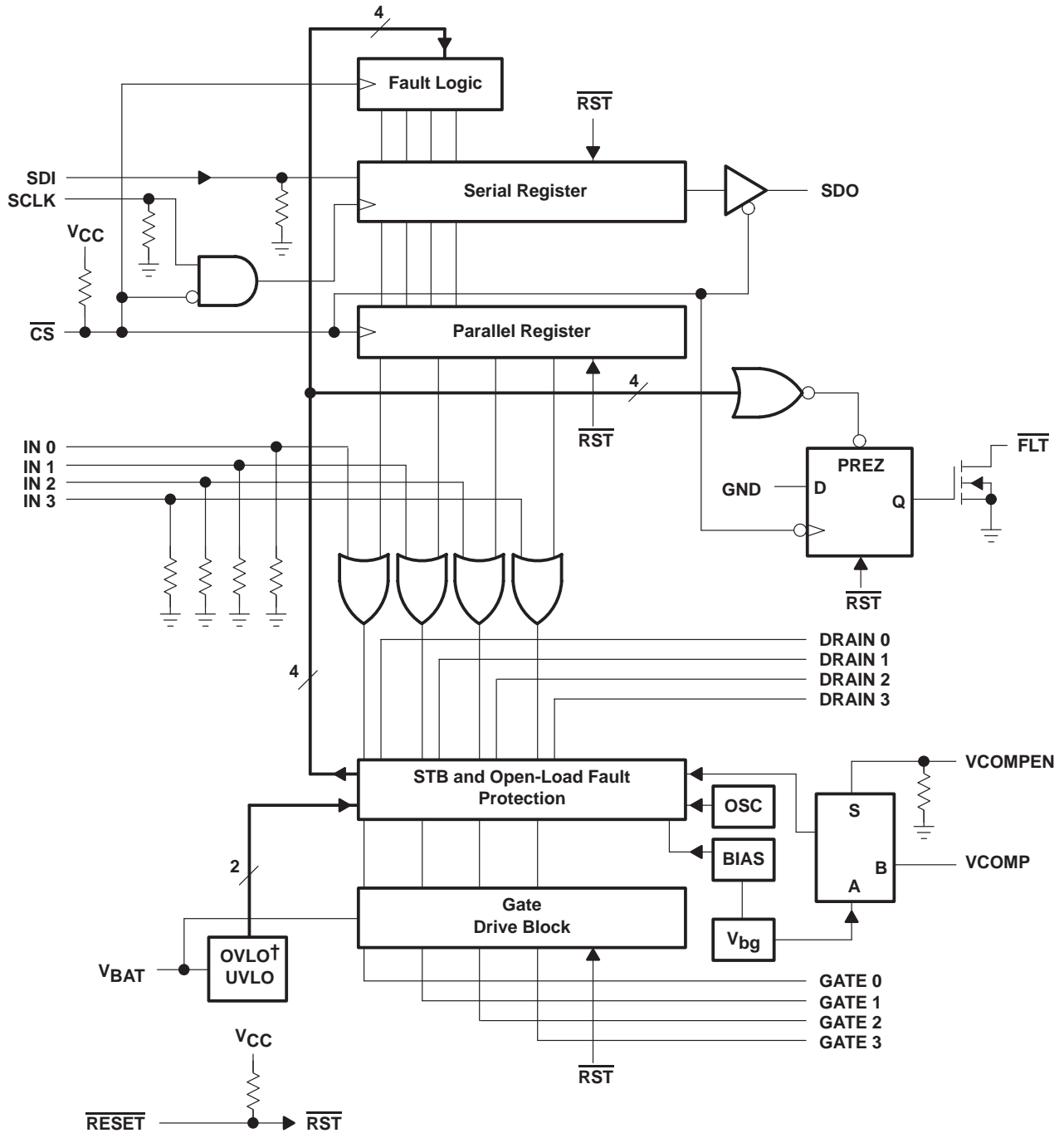


POST OFFICE BOX 655303 • DALLAS, TEXAS 75265

# TPIC44L01, TPIC44L02, TPIC44L03 4-CHANNEL SERIAL AND PARALLEL LOW-SIDE PRE-FET DRIVER

SLIS062A – NOVEMBER 1996 – REVISED SEPTEMBER 1997

## schematic diagram



† OVLO not on TPIC44L03

# TPIC44L01, TPIC44L02, TPIC44L03

## 4-CHANNEL SERIAL AND PARALLEL LOW-SIDE PRE-FET DRIVER

SLIS062A – NOVEMBER 1996 – REVISED SEPTEMBER 1997

### Terminal Functions

TERMINAL NAME	NO.	I/O	DESCRIPTION
$\overline{\text{CS}}$	8	I	Chip select. A high to low transition on $\overline{\text{CS}}$ enables SDO, latches fault data into the serial interface, and refreshes $\overline{\text{FLT}}$ . When $\overline{\text{CS}}$ is high, the fault registers can change fault status. On the falling edge of $\overline{\text{CS}}$ , fault data is latched into the serial output register and transferred using SDO and SCLK. On a low to high transition of $\overline{\text{CS}}$ , serial data is latched in to the output control register.
DRAIN0	21	I	FET drain inputs. DRAIN0 through DRAIN3 are used for both open-load and short-circuit fault detection at the drain of the external FETs. They are also used for inductive transient protection.
DRAIN1	19		
DRAIN2	16		
DRAIN3	14		
$\overline{\text{FLT}}$	1	I	Fault flag. $\overline{\text{FLT}}$ is a logic level open-drain output that provides a real-time fault flag for shorted-load/open-load/over-battery voltage/under-battery voltage faults. The device can be ORed with $\overline{\text{FLT}}$ terminals on other devices for interrupt handling. $\overline{\text{FLT}}$ requires an external pullup resistor.
GATE0	20	O	Gate drive output. GATE0 through GATE3 outputs are derived from the $V_{\text{BAT}}$ supply voltage. Internal clamps prevent voltages on these nodes from exceeding the $V_{\text{GS}}$ rating on most FETs.
GATE1	18		
GATE2	17		
GATE3	15		
GND	13	I	Ground and substrate
IN0	4	I	Parallel gate driver. IN0 through IN3 are real-time controls for the gate predrive circuitry. They are CMOS compatible with hysteresis.
IN1	5		
IN2	6		
IN3	7		
$\overline{\text{RESET}}$	22	I	Reset. A high-to-low transition of $\overline{\text{RESET}}$ clears all registers and flags. Gate outputs turn off and the $\overline{\text{FLT}}$ flag is cleared.
SCLK	11	I	Serial clock. SCLK clocks the shift register. Serial data is clocked into SDI and serial fault data is clocked out of SDO on the falling edge of the serial clock.
SDI	10	I	Serial data input. Output control data is clocked into the serial register through SDI. A 1 on SDI commands a particular gate output on and a 0 turns it off.
SDO	9	O	Serial data output. SDO is a 3-state output that transfers fault data to the controlling device. It also passes serial input data to the next stage for cascaded operation. SDO is taken to a high-impedance state when $\overline{\text{CS}}$ is in a high state.
$V_{\text{BAT}}$	24	I	Battery supply voltage
$V_{\text{CC}}$	12	I	Logic supply voltage
VCOMPEN	2	I	Fault reference voltage select. VCOMPEN selects the internally generated fault reference voltage (0) or an external fault reference (1) to be used in the shorted- and open-load fault detection circuitry.
VCOMP	3	I	Fault reference voltage. VCOMP provides an external fault reference voltage for the shorted-load and open-load fault detection circuitry.



# TPIC44L01, TPIC44L02, TPIC44L03 4-CHANNEL SERIAL AND PARALLEL LOW-SIDE PRE-FET DRIVER

SLIS062A – NOVEMBER 1996 – REVISED SEPTEMBER 1997

## absolute maximum ratings over operating free-air temperature range (unless otherwise noted)†

Supply voltage range, $V_{CC}$ (see Note 1)	–0.3 V to 7 V
Battery supply voltage range, $V_{BAT}$	–0.3 V to 60 V
Input voltage range, $V_I$ (at any input)	–0.3 V to 7 V
Output voltage range, $V_O$ (SDO and $\overline{FLT}$ )	–0.3 V to 7 V
Drain-to-source voltage, $V_{DS}$	–0.3 V to 60 V
Output voltage, $V_O$	–0.3 V to 15 V
Operating case temperature range, $T_C$	–40°C to + 125°C
Thermal resistance, junction to ambient, $R_{\theta JA}$	135°C/W
Maximum junction temperature, $T_J$	150°C
Storage temperature range, $T_{Stg}$	–40°C to + 150°C

† Stresses beyond those listed under “absolute maximum ratings” may cause permanent damage to the device. These are stress ratings only, and functional operation of the device at these or any other conditions beyond those indicated under “recommended operating conditions” is not implied. Exposure to absolute-maximum-rated conditions for extended periods may affect device reliability.

NOTE 1: All voltage values are with respect to GND.

## recommended operating conditions

	MIN	NOM	MAX	UNIT
Logic supply voltage, $V_{CC}$	4.5	5	5.5	V
Battery supply voltage, $V_{BAT}$	8		24	V
High-level input voltage, $V_{IH}$	0.85 $V_{CC}$		$V_{CC}$	V
Low-level input voltage, $V_{IL}$	0	0.15 $V_{CC}$		V
Setup time, SDI high before SCLK rising edge, $t_{SU}$ (see Figure 5)	10			ns
Hold time, SDI high after SCLK rising edge, $t_H$ (see Figure 5)	10			ns
Case temperature, $T_C$	–40		125	°C



# TPIC44L01, TPIC44L02, TPIC44L03

## 4-CHANNEL SERIAL AND PARALLEL LOW-SIDE PRE-FET DRIVER

SLIS062A – NOVEMBER 1996 – REVISED SEPTEMBER 1997

### electrical characteristics over recommended operating free-air temperature range (unless otherwise noted)

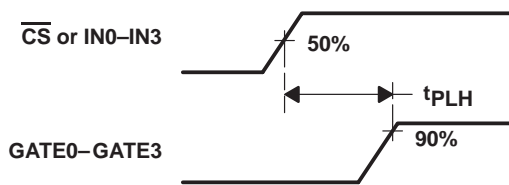
PARAMETER		TEST CONDITIONS	MIN	TYP	MAX	UNIT
I <sub>BAT</sub>	Supply current, V <sub>BAT</sub>	All outputs off, V <sub>BAT</sub> = 12 V	300	500	700	μA
I <sub>CC</sub>	Supply current, V <sub>CC</sub>	All outputs off, V <sub>BAT</sub> = 5.5 V	1	2.6	4.2	mA
V <sub>(turnon)</sub>	Turn-on voltage, logic operational, V <sub>CC</sub>	V <sub>bat</sub> = 5.5 V, Check output functionality	2.6	3.5	4.4	V
V <sub>(ovsd)</sub>	Over-battery-voltage shutdown	Gate disabled, See Figure 16	32	34	36	V
V <sub>hys(ov)</sub>	Over-battery-voltage reset hysteresis		0.5	1	1.5	V
V <sub>(uvsd)</sub>	Under-battery-voltage shutdown, (TPIC44L01/L02 only)	Gate disabled, See Figure 17	4.1	4.8	5.4	V
V <sub>hys(uv)</sub>	Under-battery-voltage reset hysteresis, (TPIC44L01/L02 only)		100	200	300	mV
V <sub>G</sub>	Gate drive voltage	8 V < V <sub>BAT</sub> < 24, I <sub>O</sub> = 100 μA	7		13.5	V
		5.5 V < V <sub>BAT</sub> < 8 V, I <sub>O</sub> = 100 μA	5		7	V
I <sub>O(H)</sub>	Maximum current output for drive terminals, pullup	V <sub>OUT</sub> = GND	0.5	1.2	2.5	mA
I <sub>O(L)</sub>	Maximum current output for drive terminals, pulldown	V <sub>OUT</sub> = 7 V	0.5	1.2	2.5	mA
V <sub>(stb)</sub>	Short-to-battery/shorted-load/open-load detection voltage	V <sub>COMPEN</sub> = L	1.1	1.25	1.4	V
V <sub>hys(stb)</sub>	Short-to-battery hysteresis		40	100	150	mV
V <sub>D(open)</sub>	Open-load off-state detection voltage threshold	V <sub>COMPEN</sub> = L	1.1	1.25	1.4	V
V <sub>hys(open)</sub>	Open-load hysteresis		40	100	150	mV
I <sub>I(open)</sub>	Open-load off-state detection current		30	60	80	μA
I <sub>I(PU)</sub>	Input pullup current ( $\overline{CS}$ )	V <sub>CC</sub> = 5 V, V <sub>IN</sub> = 0		10		μA
I <sub>I(PD)</sub>	Input pulldown current	V <sub>CC</sub> = 5 V, V <sub>IN</sub> = 5 V		10		μA
V <sub>hys</sub>	Input voltage hysteresis	V <sub>CC</sub> = 5 V	0.6	0.85	1.1	V
V <sub>O(SH)</sub>	High-level serial output voltage	I <sub>O</sub> = 1 mA	0.8 V <sub>CC</sub>			V
V <sub>O(SL)</sub>	Low-level serial output voltage	I <sub>O</sub> = 1 mA		0.1	0.4	V
I <sub>OZ(SD)</sub>	3-state current serial-data output	V <sub>CC</sub> = 0 to 5.5V	-10	1	10	μA
V <sub>O(CFLT)</sub>	Fault-interrupt output voltage	I <sub>O</sub> = 1 mA		0.1	0.5	V
V <sub>I(COMP)</sub>	Fault-external reference voltage	V <sub>COMPEN</sub> = H	1		3	V
V <sub>C</sub>	Output clamp voltage, (TPIC44L01/L02 only)	dc < 1%, t <sub>w</sub> = 100 μs	47	55	63	V
V <sub>C</sub>	Output clamp voltage, (TPIC44L03 only)	dc < 1%, t <sub>w</sub> = 100 μs	47	53.5	60	V

# TPIC44L01, TPIC44L02, TPIC44L03 4-CHANNEL SERIAL AND PARALLEL LOW-SIDE PRE-FET DRIVER

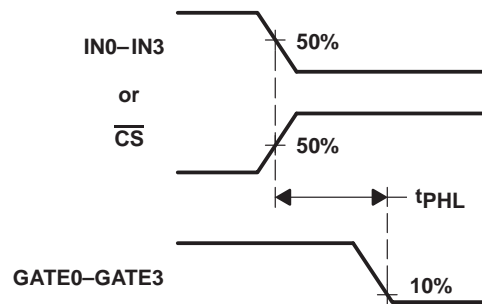
SLIS062A – NOVEMBER 1996 – REVISED SEPTEMBER 1997

**switching characteristics,  $V_{CC} = 5\text{ V}$ ,  $V_{bat} = 12\text{ V}$ ,  $T_C = 25^\circ\text{C}$**

PARAMETER		TEST CONDITIONS		MIN	TYP	MAX	UNIT
$t_{(STBFM)}$	Short-to-battery/shorted-load/open-load fault mask time	See Figures 14 and 15			60		$\mu\text{s}$
$t_{(STBDG)}$	Short-to-battery/shorted-load deglitch time	See Figure 14			8		$\mu\text{s}$
$t_{PLH}$	Propagation turn-on delay time, $\overline{CS}$ or IN0-IN3 to GATE0-GATE3	$C_{(gate)} = 400\text{ pF}$ ,	See Figure 1		4		$\mu\text{s}$
$t_{PHL}$	Propagation turn-off delay time, $\overline{CS}$ or IN0-IN3 to GATE0-GATE3	$C_{(gate)} = 400\text{ pF}$ ,	See Figure 2		3.5		$\mu\text{s}$
$t_{r1}$	Rise time GATE0–GATE3	$C_{(gate)} = 400\text{ pF}$ ,	See Figure 3		3.5		$\mu\text{s}$
$t_{f1}$	Fall time, GATE0–GATE3	$C_{(gate)} = 400\text{ pF}$ ,	See Figure 4		3		$\mu\text{s}$
$f_{(SCLK)}$	Serial clock frequency					10	MHz
$t_{r(SB)}$	Refresh time, short-to-battery	TPIC46L01 only,	See Figure 14		10		ms
$t_w$	Refresh pulse width, short-to-battery	TPIC46L01 only,	See Figure 14		68		$\mu\text{s}$
$t_{d1}$	Setup time, $\overline{CS}\downarrow$ to $\uparrow\text{SCLK}$	See Figure 5			10		ns
$t_{pd1}$	Propagation delay time, $\overline{CS}\downarrow$ to SDO valid	$R_L = 10\text{ k}\Omega$ , See Figure 6	$C_L = 200\text{ pF}$ ,		40		ns
$t_{pd2}$	Propagation delay time, $\text{SCLK}\downarrow$ to SDO valid	See Figure 6			20		ns
$t_{pd3}$	Propagation delay time, $\overline{CS}\uparrow$ to SDO 3-state	$R_L = 10\text{ k}\Omega$ , See Figure 7	$C_L = 50\text{ pF}$ ,		2		$\mu\text{s}$
$t_{r2}$	Rise time, SDO 3-state to SDO valid	$R_L = 10\text{ k}\Omega$ to GND, $C_L = 200\text{ pF}$ ,	Over-battery fault, See Figure 8		30		ns
$t_{f2}$	Fall time, SDO 3-state to SDO valid	$R_L = 10\text{ k}\Omega$ to $V_{CC}$ , $C_L = 200\text{ pF}$ ,	No faults, See Figure 9		20		ns
$t_{r3}$	Rise time, $\overline{FLT}$	$R_L = 10\text{ k}\Omega$ , See Figure 10	$C_L = 50\text{ pF}$ ,		1.2		$\mu\text{s}$
$t_{f3}$	Fall time, $\overline{FLT}$	$R_L = 10\text{ k}\Omega$ , See Figure 11	$C_L = 50\text{ pF}$ ,		15		ns



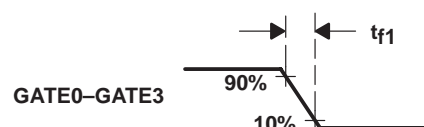
**Figure 1**



**Figure 2**



**Figure 3**



**Figure 4**

# TPIC44L01, TPIC44L02, TPIC44L03 4-CHANNEL SERIAL AND PARALLEL LOW-SIDE PRE-FET DRIVER

SLIS062A – NOVEMBER 1996 – REVISED SEPTEMBER 1997

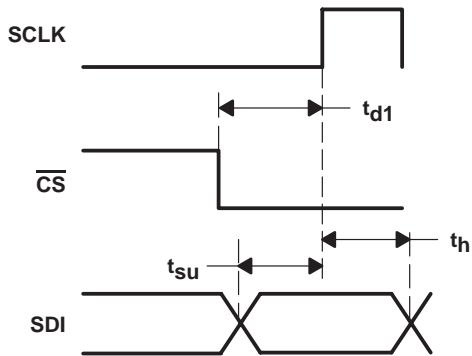


Figure 5

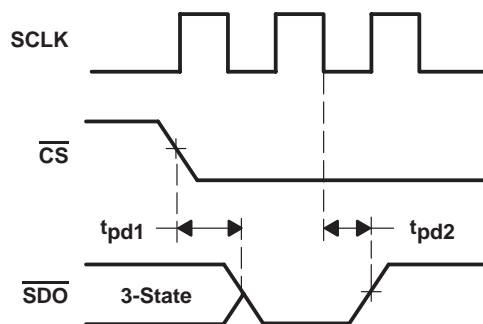


Figure 6

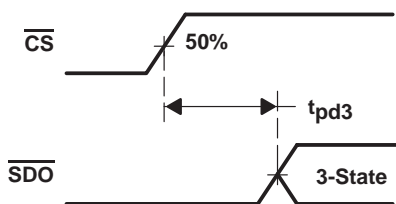


Figure 7



Figure 8

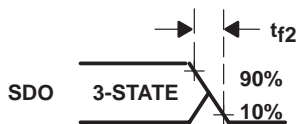


Figure 9

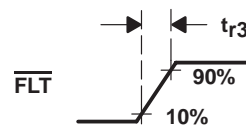


Figure 10

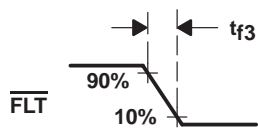


Figure 11



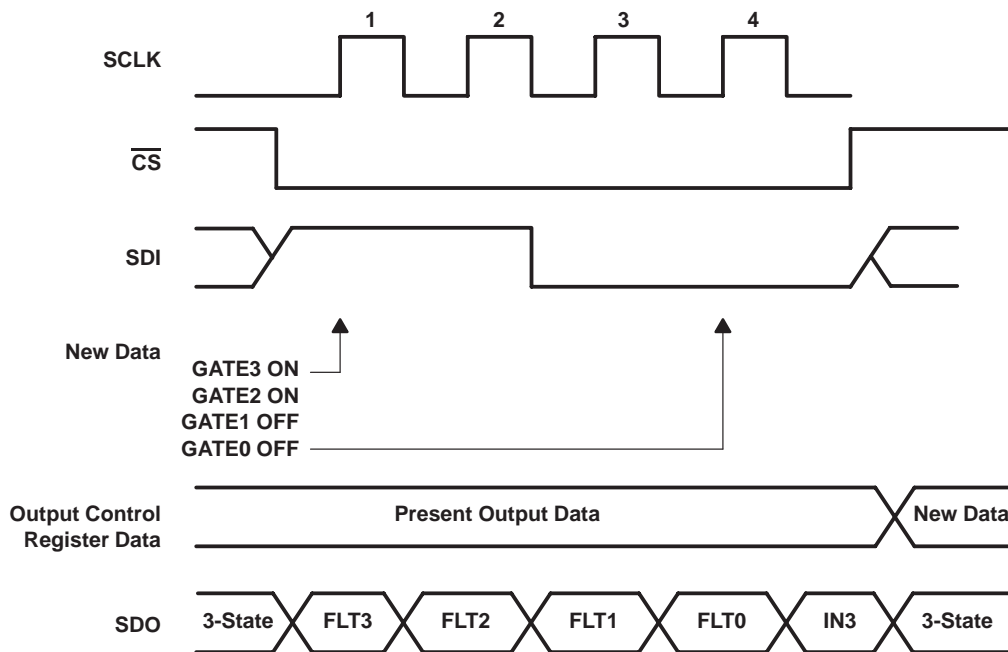
PRINCIPLES OF OPERATION

serial data operation

The TPIC44L01, TPIC44L02, and TPIC44L03 offer serial input interface to the microcontroller to transfer control data to the predriver and fault data back to the controller. The serial input interface consists of:

- SCLK – Serial clock
- $\overline{CS}$  – Chip select
- SDI – Serial data input
- SDO – Serial data output

Serial data is shifted into the least significant bit (LSB) of the SDI shift register on the rising edge of the first SCLK after  $\overline{CS}$  has transitioned from 1 to 0. Four clock cycles are required to shift the first bit from the LSB to the most significant bit (MSB) of the shift register. Four clock cycles must occur before  $\overline{CS}$  transitions high for proper control of the outputs. Less than four clock cycles result in fault data being latched into the output control buffer. Eight bits of data can be shifted into the device, but the first 4 bits shifted out are always the fault data and the last 4 bits shifted in are always the output control data. A low-to-high transition on  $\overline{CS}$  latches the contents of the serial shift register into the output control register. A logic 0 input to SDI turns the corresponding parallel output off and a logic 1 input turns the output on (see Figure 12).



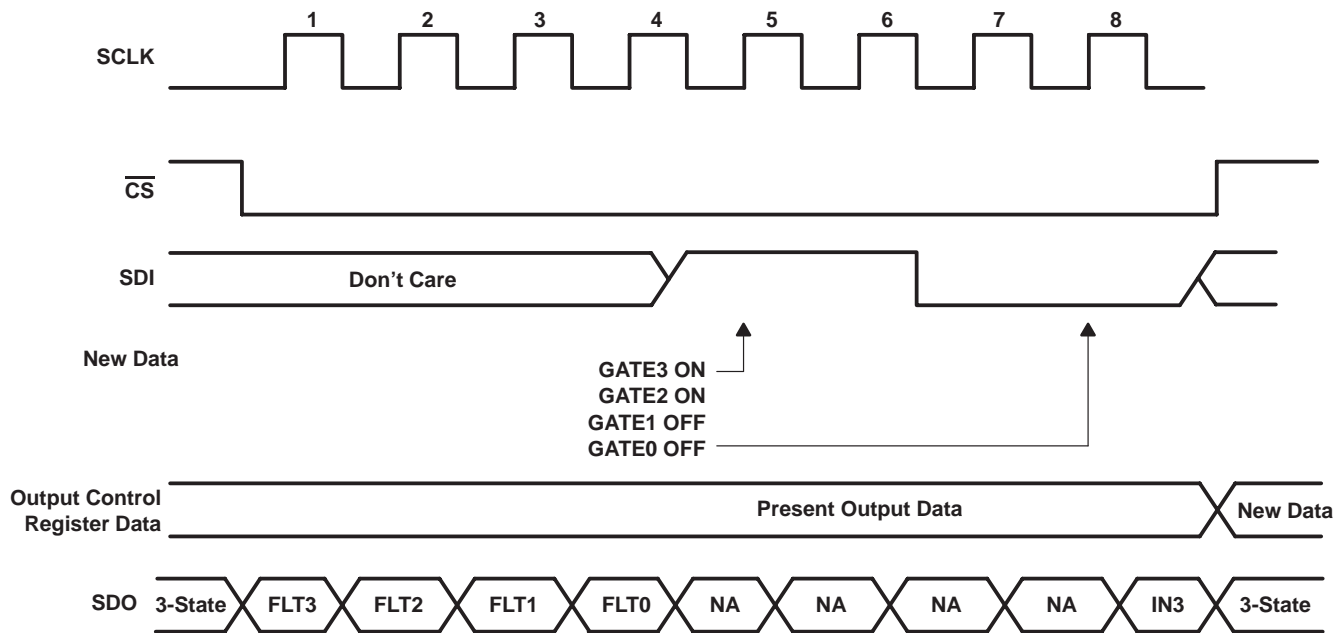
(a) 4-Bit Serial Word Example

Figure 12

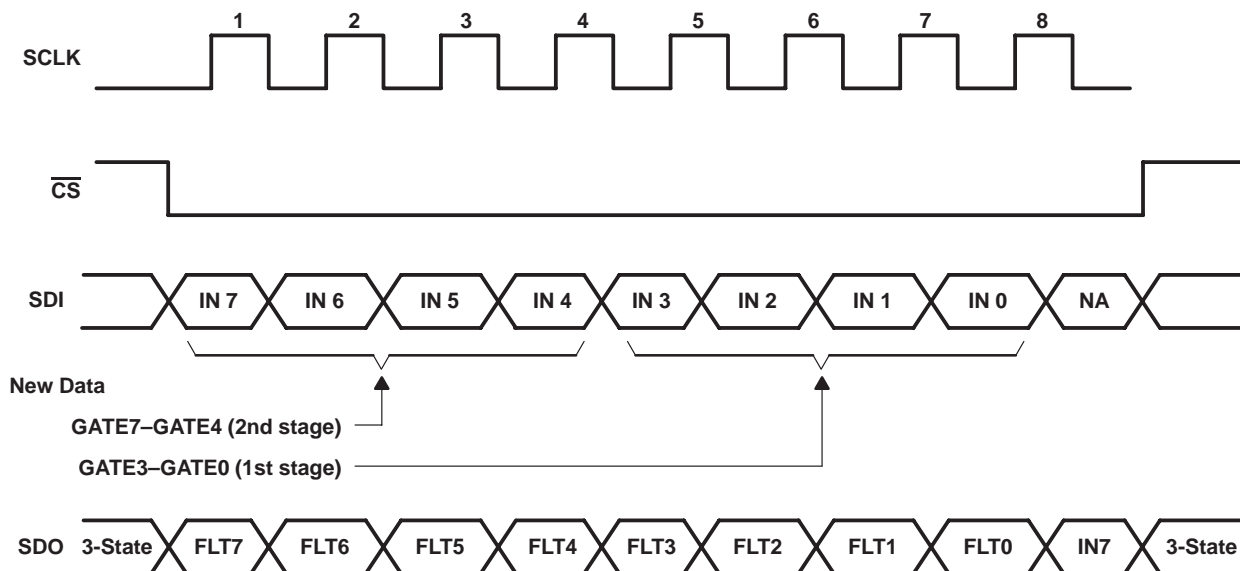
# TPIC44L01, TPIC44L02, TPIC44L03 4-CHANNEL SERIAL AND PARALLEL LOW-SIDE PRE-FET DRIVER

SLIS062A – NOVEMBER 1996 – REVISED SEPTEMBER 1997

## PRINCIPLES OF OPERATION



(b) 8-Bit Serial Word Example (Single Predriver)



(c) 8-Bit Serial Word Example (Cascade: Two Predrivers)

Figure 12 (continued)



**PRINCIPLES OF OPERATION**

**serial data operation (continued)**

Data is shifted out of SDO on the falling edge of SCLK. The MSB of fault data is available after  $\overline{CS}$  is transitioned low. The remaining 3 bits of fault data are shifted out in the following three clock cycles. Fault data is latched into the serial register when  $\overline{CS}$  is transitioned low. A fault must be present on the high to low transition of  $\overline{CS}$  to be captured by the device. The  $\overline{CS}$  input must be transitioned to a high state after the last bit of serial data has been clocked into the device. The rising edge of  $\overline{CS}$  inhibits SDI, puts SDO into a high-impedance state, latches the 4 bits of serial data into the output control register, and clears and re-enables the serial fault registers (see Figure 13). When a shorted-load condition occurs with the TPIC44L01 or TPIC44L03, then the controller must disable and re-enable the channel to clear the fault register and  $\overline{FLT}$ . The TPIC44L02 automatically retries the output and the fault clears after the fault condition has been corrected.

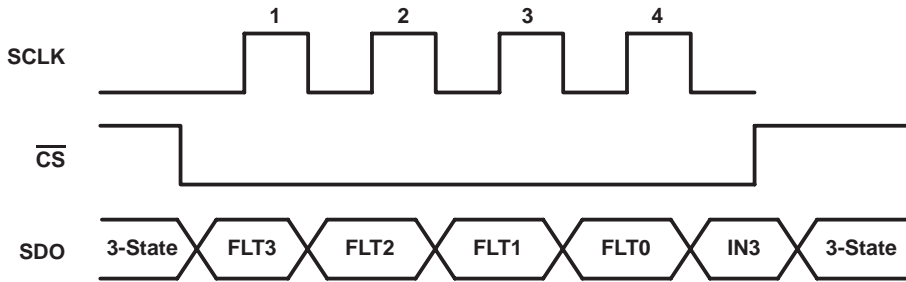


Figure 13

**parallel input data operation**

In addition to the serial interface, the TPIC44L01, TPIC44L02, and TPIC44L03 also provides a parallel interface to the microcontroller. The output turns on when either the parallel or the serial interface commands it to turn on. The parallel data terminals are real-time control inputs for the output drivers. SCLK and  $\overline{CS}$  are not required to transfer parallel input data to the output buffer. Fault data must be read over the serial data bus as described in the serial data operation section of this data sheet. The parallel input must be transitioned low and then high to clear and re-enable a gate output after it has been disabled due to a shorted-load fault condition.

# TPIC44L01, TPIC44L02, TPIC44L03 4-CHANNEL SERIAL AND PARALLEL LOW-SIDE PRE-FET DRIVER

SLIS062A – NOVEMBER 1996 – REVISED SEPTEMBER 1997

---

## PRINCIPLES OF OPERATION

### chipset performance under fault conditions

The TPIC44L01, TPIC44L02, TPIC44L03, and power FET arrays are designed for normal operation over a battery-voltage range of 8 V to 24 V with load-fault detection from 4.8 V to 34 V. The TPIC44L01, TPIC44L02, and TPIC44L03 offer on-board fault detection to handle a variety of faults that may occur within a system. The circuit's primary function is to prevent damage to the load and the power FETs in the event that a fault occurs. Note that unused DRAIN0-DRAIN3 inputs must be connected to  $V_{BAT}$  through a pullup resistor to prevent false reporting of open-load fault conditions. The circuitry detects the fault, shuts off the output to the FET, and reports the fault to the microcontroller. The primary faults under consideration are:

1. Shorted-load
2. Open-load
3. Over-battery voltage shutdown
4. Under-battery voltage shutdown (TPIC44L01 and TPIC44L02 only)

#### NOTE:

An undervoltage fault may be detected when  $V_{CC}$  and  $V_{BAT}$  are applied to the device. The controller should initialize the fault register after power up to clear any false fault reports.

### shorted-load fault condition

The TPIC44L01, TPIC44L02, and TPIC44L03 monitor the drain voltage of each channel to detect shorted-load conditions. The onboard deglitch timer starts running when the gate output to the power FET transitions from the off state to the on state. The timer provides a 60- $\mu$ s deglitch time,  $t_{(STBFM)}$ , to allow the drain voltage to stabilize after the power FET has been turned on. The deglitch time is only enabled for the first 60- $\mu$ s after the FET has been turned on. After the deglitch delay time, the drain voltage is checked to verify that it is less than the fault reference voltage. When it is greater than the reference voltage for at least the short-to-battery deglitch time,  $t_{(STBDG)}$ ,  $\overline{FLT}$  flags the microcontroller that a fault condition exists and the gate output is automatically shut off (TPIC44L01 and TPIC44L03) until the error condition has been corrected.

An overheating condition on the FET occurs when the controller continually tries to re-enable the output under shorted-load fault conditions. When a shorted-load fault is detected using the TPIC44L02, the gate output is transitioned into a low-duty-cycle, PWM signal to protect the FET from overheating. The PWM rate is defined as  $t_{(SB)}$  and the pulse width is defined as  $t_w$ . The gate output remains in this state until the fault has been corrected or until the controller disables the gate output.

The microcontroller can read the serial port on the predriver to isolate which channel reported the fault condition. Fault bits 0-3 distinguish faults for each of the output channels. When a shorted-load condition occurs with the TPIC44L01 or TPIC44L03, the controller must disable and re-enable the channel to clear the fault register and  $\overline{FLT}$ . The TPIC44L02 automatically retries the output and the fault clears after the fault condition has been corrected. Figure 14 illustrates operation after a gate output has been turned on. The gate to the power FET is turned on and the deglitch timer starts running. Under normal operation T1 turns on and the drain operates below the reference point set at U1. The output of U1 is low and a fault condition is not flagged.



POST OFFICE BOX 655303 • DALLAS, TEXAS 75265

# TPIC44L01, TPIC44L02, TPIC44L03 4-CHANNEL SERIAL AND PARALLEL LOW-SIDE PRE-FET DRIVER

SLIS062A – NOVEMBER 1996 – REVISED SEPTEMBER 1997

## PRINCIPLES OF OPERATION

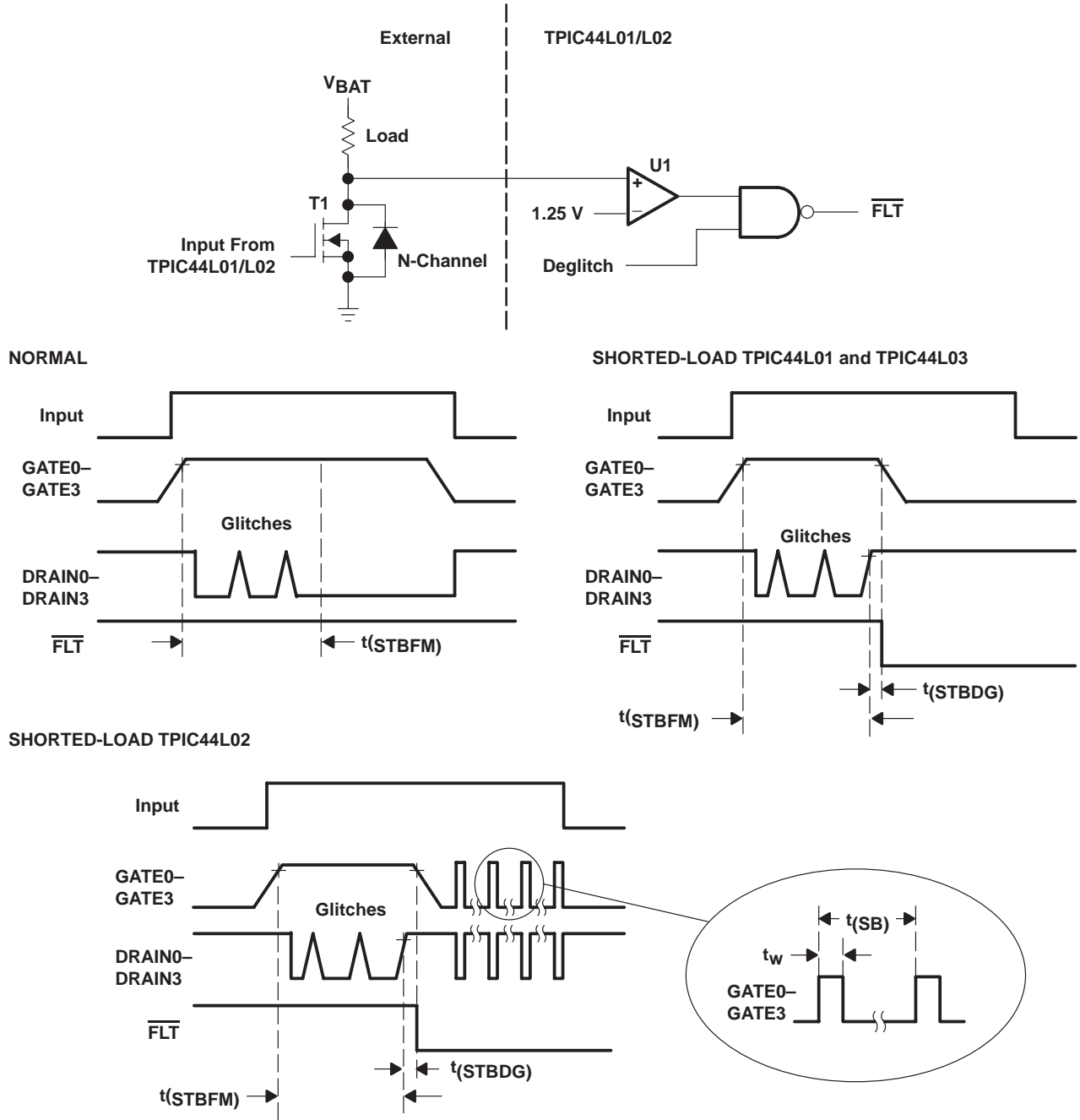


Figure 14

# TPIC44L01, TPIC44L02, TPIC44L03

## 4-CHANNEL SERIAL AND PARALLEL LOW-SIDE PRE-FET DRIVER

SLIS062A – NOVEMBER 1996 – REVISED SEPTEMBER 1997

### PRINCIPLES OF OPERATION

#### open load

The TPIC44L01, TPIC44L02, and TPIC44L03 monitor the drain of each power FET for open circuit conditions that may exist. The 60- $\mu$ A current source is provided to monitor open load fault conditions. Open-load faults are only detected when the power FET is turned off. When load impedance is open or substantially high, the 60- $\mu$ A current source has adequate drive to pull the drain of T1 below the fault reference threshold on the detection circuit. Unused DRAIN0–DRAIN3 inputs must be connected to  $V_{BAT}$  through a pull-up resistor to prevent false reporting of open-load fault conditions. The on-board deglitch timer starts running when the TPIC44L01, TPIC44L02, and TPIC44L03 gate output to the power FET transitions to the off state. The timer provides a 60- $\mu$ s deglitch time,  $t_{(STBFM)}$  to allow the drain voltage to stabilize after the power FET has been turned off. The deglitch time is only enabled for the first 60- $\mu$ s after the FET has been turned off. After the deglitch delay time, the drain is checked to verify that it is greater than the fault reference voltage. When it is less than the reference voltage, a fault is flagged to the microcontroller through  $\overline{FLT}$  that an open-load fault condition exists. The microcontroller can then read the serial port on the TPIC44L01, TPIC44L02, and TPIC44L03 to isolate which channel reported the fault condition. Fault bits 0–3 distinguish faults for each of the output channels. Figure 15 illustrates the operation of the open-load detection circuit. This feature provides useful information to the microcontroller to isolate system failures and warn the operator that a problem exists. Examples of such applications would be a warning that a light bulb filament may be open, solenoid coils may be open, etc.

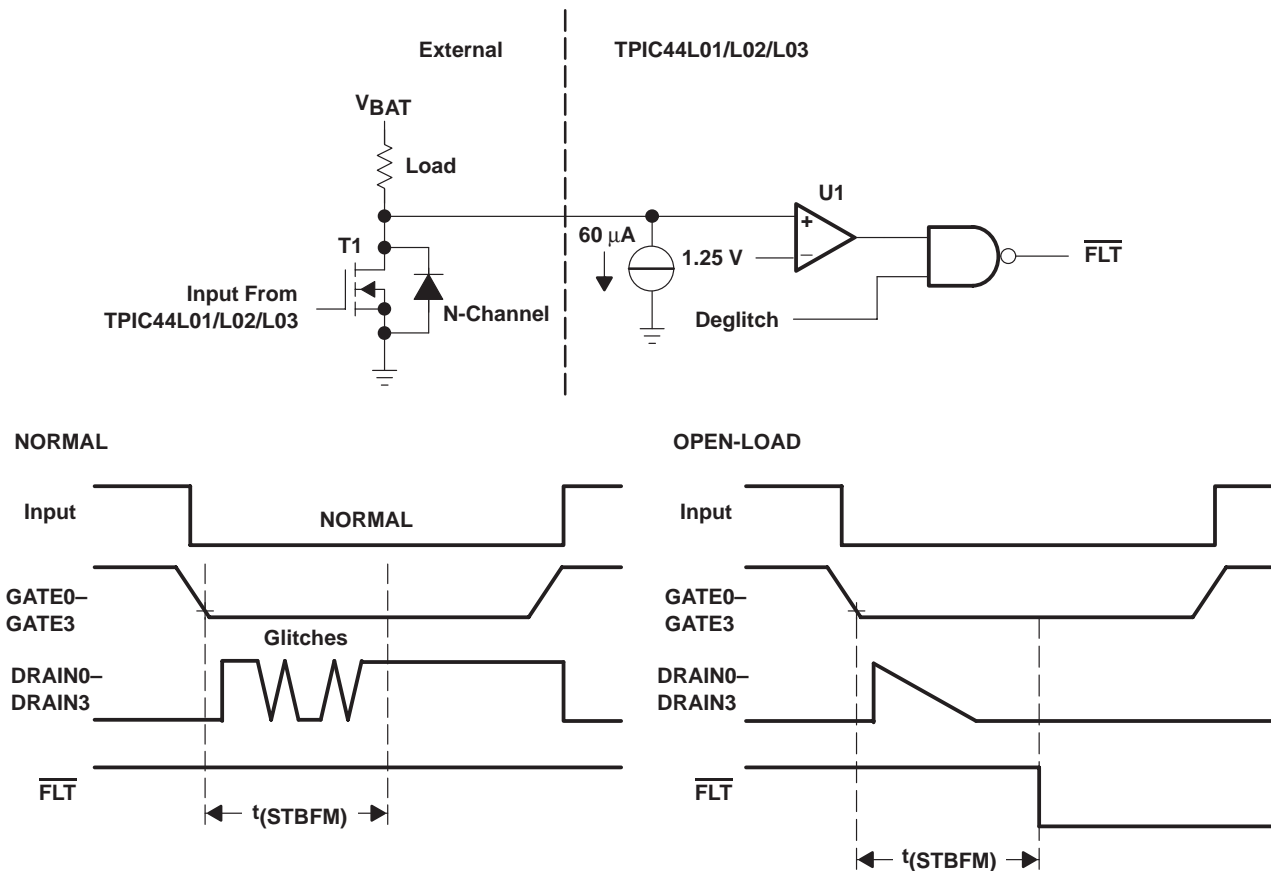


Figure 15

PRINCIPLES OF OPERATION

over-battery-voltage shutdown

The TPIC44L01, TPIC44L02, and TPIC44L03 monitor the battery voltage to prevent the power FETs turning on in the event that the battery voltage is too high. This condition may occur due to voltage transients resulting from a loose battery connection. The TPIC44L01, TPIC44L02, and TPIC44L03 turns the power FET off when the battery voltage is above 34 volts to prevent possible damage to the load and the FET. GATE(0–3) output goes back to normal operation after the overvoltage condition has been corrected. An over-battery-voltage fault is flagged to the controller through FLT. The over-battery-voltage fault is not reported in the serial fault word. When an overvoltage condition occurs, the device reports the battery fault, but disables fault reporting for open and shorted-load conditions. Fault reporting for open and shorted-load conditions are re-enabled after the battery fault condition has been corrected. When the fault condition is removed before the CS signal transitions low, the fault condition is not captured in the serial fault register. The fault flag resets on a high-to-low transition of CS provided no other faults are present in the device. Figure 16 illustrates the operation of the over-battery-voltage detection circuit.

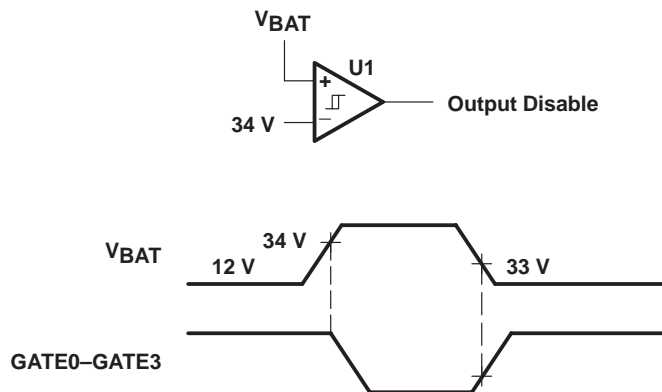


Figure 16

# TPIC44L01, TPIC44L02, TPIC44L03 4-CHANNEL SERIAL AND PARALLEL LOW-SIDE PRE-FET DRIVER

SLIS062A – NOVEMBER 1996 – REVISED SEPTEMBER 1997

## PRINCIPLES OF OPERATION

### under-battery-voltage shutdown (TPIC44L01 and TPIC44L02 only)

The TPIC44L01 and TPIC44L02 monitor the battery voltage to prevent the power FETs from being turned on in the event that the battery voltage is too low. When the battery voltage is below 4.8 volts, then GATE0–GATE3 may not provide sufficient gate voltage to the power FETs to minimize the on-resistance that could result in a thermal stress on the FET. The output goes back to normal operation after the undervoltage condition has been corrected. An under-battery-voltage fault is flagged to the controller through  $\overline{\text{FLT}}$ . The under-battery voltage fault is not reported in the serial fault word. When an under-battery-voltage condition occurs, the device reports the battery fault but disables fault reporting for open- and shorted-load conditions. When the fault condition is removed before the  $\overline{\text{CS}}$  signal transitions low, the fault condition is not captured in the serial fault register. The fault flag resets on a high-to-low transition of  $\overline{\text{CS}}$  provided no other faults are present in the device. Figure 17 illustrates the operation of the under-battery voltage-detection circuit.

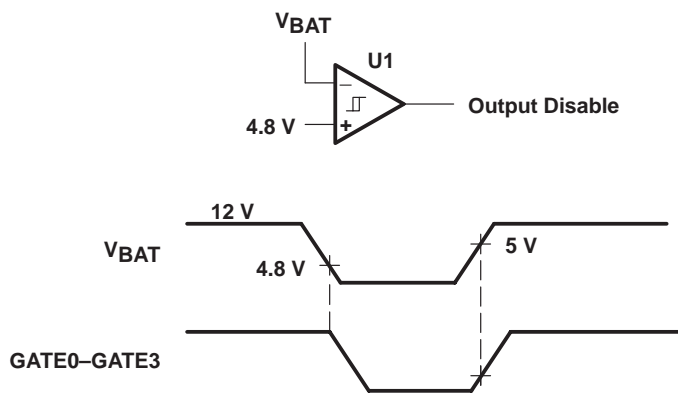


Figure 17



PRINCIPLES OF OPERATION

inductive voltage transients

A typical application for the predriver/power FET circuit is to switch inductive loads. When an inductive load is switched off, a large voltage spike can occur. These spikes can exceed the maximum  $V_{DS}$  rating for the external FET and damage the device when the proper protection is not in place. The FET can be protected from these transients through a variety of methods using external components. The TPIC44L01, TPIC44L02, and TPIC44L03 offer that protection in the form of a zener diode stack connected between the DRAIN input and GATE output (see Figure 18). Zener diode Z1 turns the FET on to dissipate the transient energy. GATE diode Z2 is provided to prevent the gate voltage from exceeding 13 volts during normal operation and transient protection.

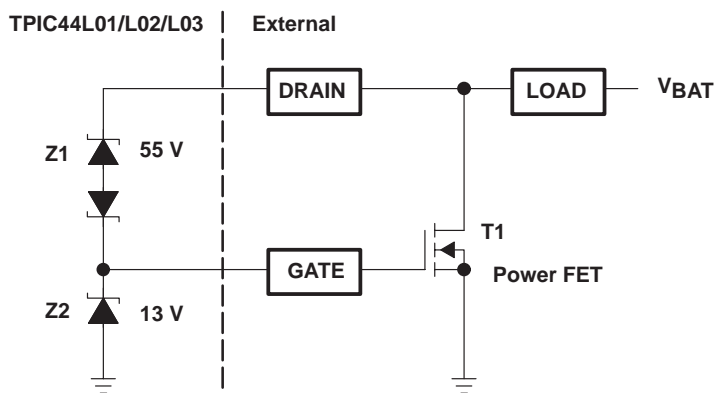


Figure 18

# TPIC44L01, TPIC44L02, TPIC44L03 4-CHANNEL SERIAL AND PARALLEL LOW-SIDE PRE-FET DRIVER

SLIS062A – NOVEMBER 1996 – REVISED SEPTEMBER 1997

## PRINCIPLES OF OPERATION

### external fault reference input

The TPIC44L01, TPIC44L02, and TPIC44L03 compare each channel drain voltage to a fault reference to detect shorted-load and open-load conditions. The user has the option of using the internally generated 1.25-V fault reference or providing an external reference voltage through VCOMP. The internal reference is selected by connecting VCOMPEN to GND and VCOMP is selected by connecting VCOMPEN to V<sub>CC</sub> (see Figure 19). Proper layout techniques should be used in the grounding network for the VCOMP circuit on the TPIC44L01, TPIC44L02, and TPIC44L03. The ground for the predriver and VCOMP network should be connected to a Kelvin ground if available; otherwise, they should make single-point contact back to the power ground of the FET array. Improper grounding techniques can result in inaccuracies in detecting faults.

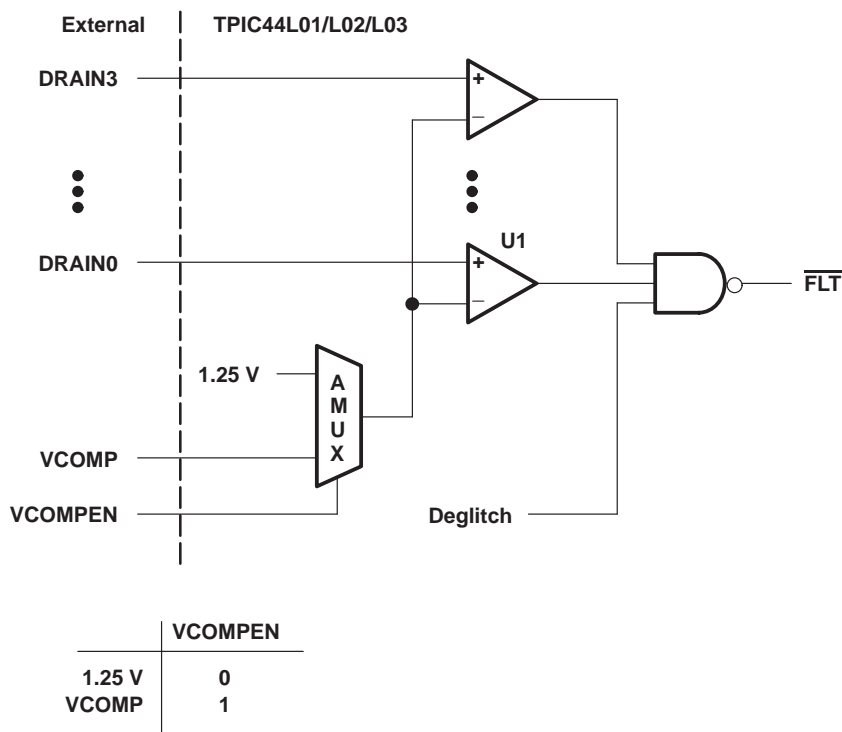


Figure 19

# TPIC44L01, TPIC44L02, TPIC44L03 4-CHANNEL SERIAL AND PARALLEL LOW-SIDE PRE-FET DRIVER

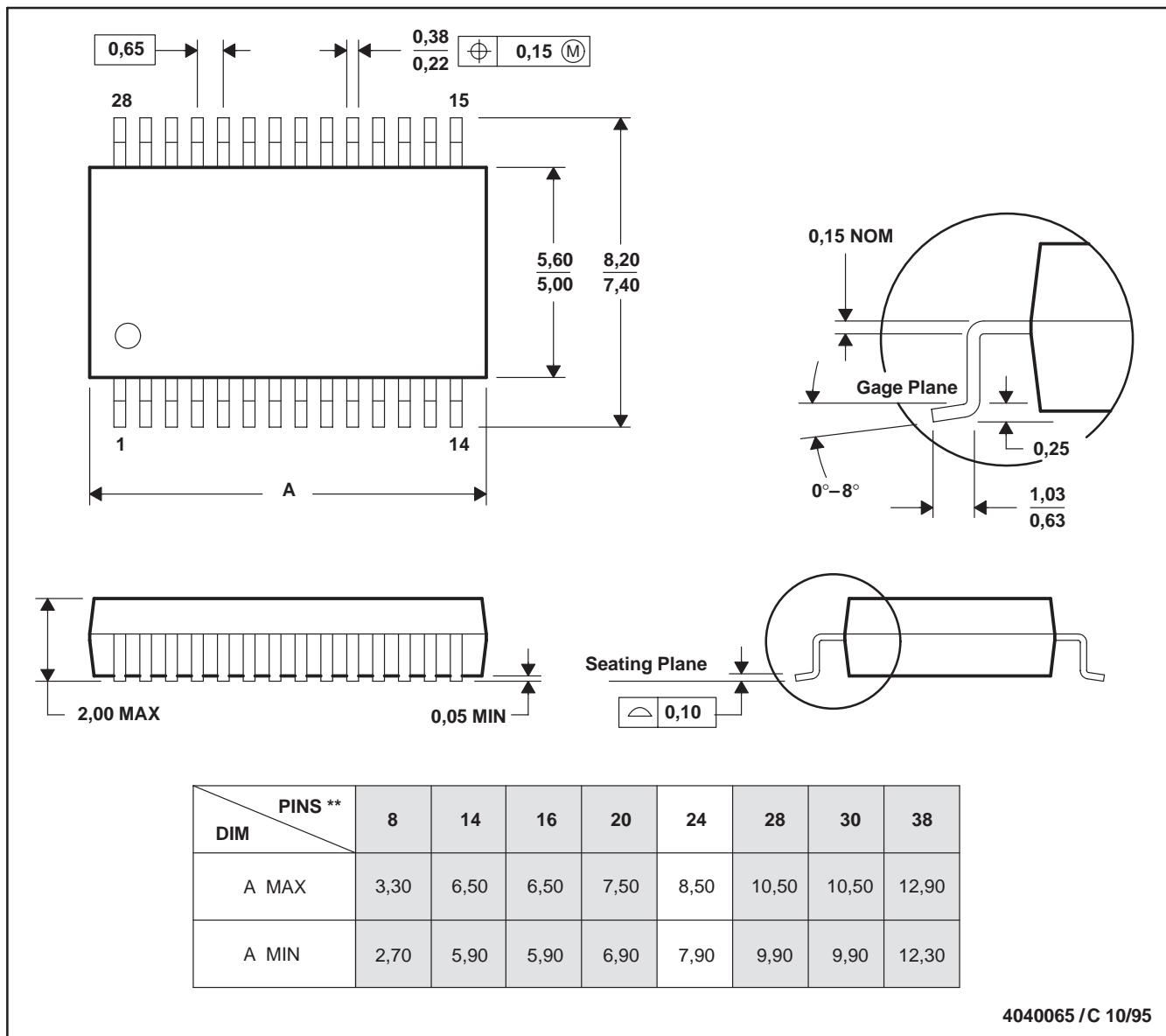
SLIS062A – NOVEMBER 1996 – REVISED SEPTEMBER 1997

## MECHANICAL DATA

**DB (R-PDSO-G\*\*)**

**PLASTIC SMALL-OUTLINE PACKAGE**

28 TERMINAL SHOWN



- NOTES:
- A. All linear dimensions are in millimeters.
  - B. This drawing is subject to change without notice.
  - C. Body dimensions do not include mold flash or protrusion not to exceed 0,15.
  - D. Falls within JEDEC MO-150

## IMPORTANT NOTICE

Texas Instruments and its subsidiaries (TI) reserve the right to make changes to their products or to discontinue any product or service without notice, and advise customers to obtain the latest version of relevant information to verify, before placing orders, that information being relied on is current and complete. All products are sold subject to the terms and conditions of sale supplied at the time of order acknowledgement, including those pertaining to warranty, patent infringement, and limitation of liability.

TI warrants performance of its semiconductor products to the specifications applicable at the time of sale in accordance with TI's standard warranty. Testing and other quality control techniques are utilized to the extent TI deems necessary to support this warranty. Specific testing of all parameters of each device is not necessarily performed, except those mandated by government requirements.

CERTAIN APPLICATIONS USING SEMICONDUCTOR PRODUCTS MAY INVOLVE POTENTIAL RISKS OF DEATH, PERSONAL INJURY, OR SEVERE PROPERTY OR ENVIRONMENTAL DAMAGE ("CRITICAL APPLICATIONS"). TI SEMICONDUCTOR PRODUCTS ARE NOT DESIGNED, AUTHORIZED, OR WARRANTED TO BE SUITABLE FOR USE IN LIFE-SUPPORT DEVICES OR SYSTEMS OR OTHER CRITICAL APPLICATIONS. INCLUSION OF TI PRODUCTS IN SUCH APPLICATIONS IS UNDERSTOOD TO BE FULLY AT THE CUSTOMER'S RISK.

In order to minimize risks associated with the customer's applications, adequate design and operating safeguards must be provided by the customer to minimize inherent or procedural hazards.

TI assumes no liability for applications assistance or customer product design. TI does not warrant or represent that any license, either express or implied, is granted under any patent right, copyright, mask work right, or other intellectual property right of TI covering or relating to any combination, machine, or process in which such semiconductor products or services might be or are used. TI's publication of information regarding any third party's products or services does not constitute TI's approval, warranty or endorsement thereof.