

MC3453, MC3553 QUAD LINE DRIVERS WITH COMMON ENABLE

SLLS119A – FEBRUARY 1986 – REVISED FEBRUARY 1993

- Similar to a Dual Version of SN55/75110A Line Driver
- Improved Stability Over Supply Voltage and Temperature Ranges
- Constant-Current Outputs
- High Output Impedance
- High Common-Mode Output Voltage Range
–3 V to 10 V
- Glitch-Free Power-Up/Power-Down Operation
- TTL-Input Compatibility
- Common-Enable Circuit
- Designed to Be Interchangeable With Motorola MC3453 and Military-Temperature-Range Version of MC3553

description

The MC3453 and MC3553 feature four line drivers with a common-enable input. When the ENABLE input is high, a constant output current is switched between each pair of output terminals in response to the logic level at that channel input. When the ENABLE is low, all channel outputs are nonconductive (transistors biased to cutoff). This minimizes loading in party-line systems where a large number of drivers share the same line.

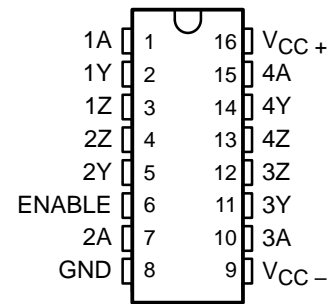
The driver outputs have a common-mode voltage range of –3 V to 10 V, allowing common-mode voltages on the line without affecting driver performance.

All outputs should be maintained within the recommended common-mode output voltage range to ensure that the channels do not interact with each other. To minimize power dissipation, all unused outputs should be grounded.

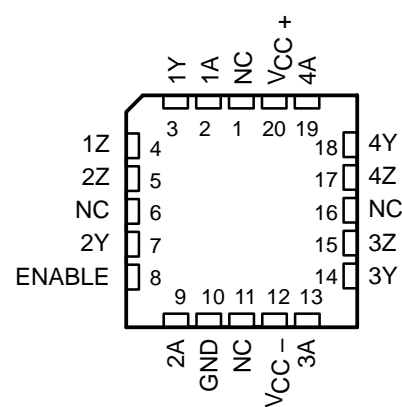
All inputs are diode clamped and are designed to satisfy TTL-system requirements. The inputs are tested at 2 V for high-logic-level input conditions and 0.8 V for low-logic-level input conditions. These tests ensure 400 mV of noise margin when interfaced with Series 54/74 TTL.

The MC3453 is characterized for operation from 0°C to 70°C. The MC3553 is characterized for operation over the full military temperature range of –55°C to 125°C.

D, J, OR N . . . PACKAGE
(TOP VIEW)



FK PACKAGE
(TOP VIEW)



NC—No internal connection

FUNCTION TABLE

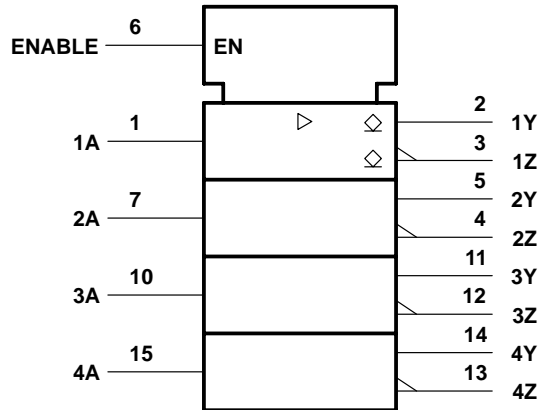
LOGIC INPUT	ENABLE INPUT	OUTPUT CURRENT	
		Z	Y
H	H	On	Off
L	H	Off	On
H	L	Off	Off
L	L	Off	Off

L = low logic level, H = high logic level

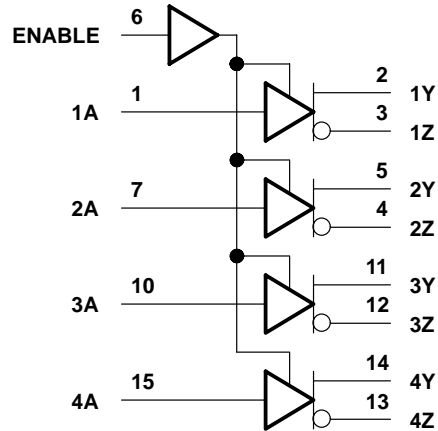
MC3453, MC3553 QUAD LINE DRIVERS WITH COMMON ENABLE

SLLS119A – FEBRUARY 1986 – REVISED FEBRUARY 1993

logic symbol†

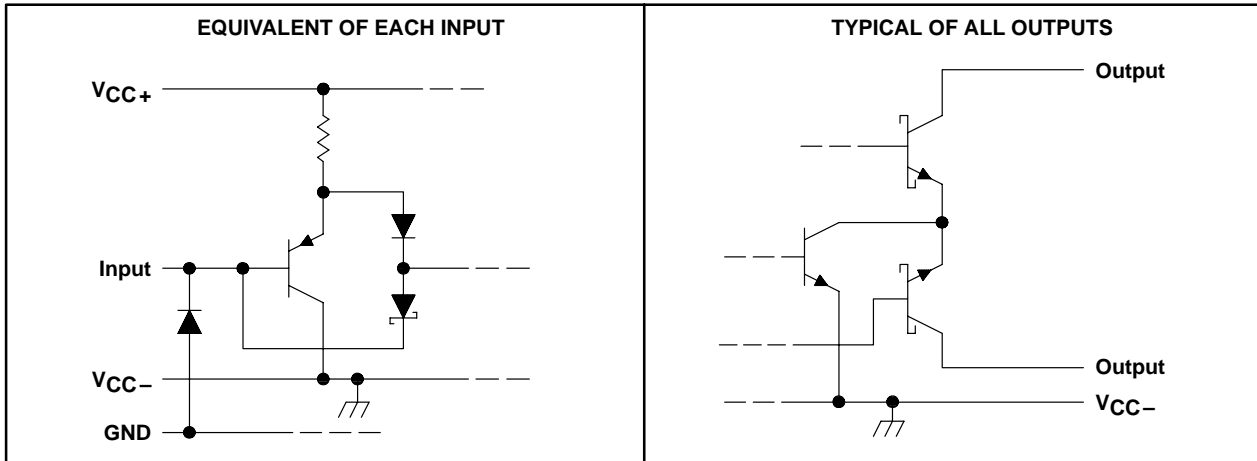


logic diagram (positive logic)



† This symbol is in accordance with ANSI/IEEE Std 91-1984 and IEC Publication 617-12.

schematics of inputs and outputs



absolute maximum ratings over operating free-air temperature range (unless otherwise noted)

Supply voltage, V_{CC+} (see Note 1)	7 V
Supply voltage, V_{CC-}	-7 V
Input voltage (any input)	5.5 V
Output voltage range (any output)	-5 V to 12 V
Continuous total dissipation	See Dissipation Rating Table
Operating free-air temperature range: MC3453	0°C to 70°C
MC3553	-55°C to 125°C
Storage temperature range	-65°C to 150°C
Case temperature for 60 seconds: FK package	260°C
Lead temperature 1,6 mm (1/16 inch) from case for 10 seconds: D or N package	260°C
Lead temperature 1,6 mm (1/16 inch) from case for 60 seconds: J package	300°C

NOTE 1: All voltage values are with respect to network ground terminal.

MC3453, MC3553 QUAD LINE DRIVERS WITH COMMON ENABLE

SLLS119A – FEBRUARY 1986 – REVISED FEBRUARY 1993

DISSIPATION RATING TABLE

PACKAGE	$T_A \leq 25^\circ\text{C}$ POWER RATING	OPERATING FACTOR ABOVE $T_A = 25^\circ\text{C}$	$T_A = 70^\circ\text{C}$ POWER RATING	$T_A = 125^\circ\text{C}$ POWER RATING
D	950 mW	7.6 mW/°C	608 mW	—
FK	1375 mW	11.0 mW/°C	880 mW	275 mW
J	1375 mW	11.0 mW/°C	880 mW	275 mW
N	1150 mW	9.2 mW/°C	736 mW	—

recommended operating conditions

		MIN	TYP	MAX	UNIT
Supply voltage, V_{CC+}	$T_A \geq 25^\circ\text{C}$	4.5	5	5.5	V
	$T_A < 25^\circ\text{C}$	4.75	5	5.5	
Supply voltage, V_{CC-}	$T_A \geq 25^\circ\text{C}$	-4.5	-5	-5.5	V
	$T_A < 25^\circ\text{C}$	-4.75	-5	-5.5	
High-level input voltage, V_{IH}		2		5.5	V
Low-level input voltage, V_{IL}		0		0.8	V
Common-mode output voltage range	V_{OCR+}	0		10	V
	V_{OCR-}	0		-3	V
Operating free-air temperature, T_A	MC3453	0		70	°C
	MC3553	-55		125	

electrical characteristics over recommended operating free-air temperature range, $V_{CC\pm} = \text{MAX}$ (unless otherwise noted)

PARAMETER		TEST CONDITIONS†	MIN	TYP‡	MAX	UNIT
V_{IK}	Input clamp voltage	$I_I = -12 \text{ mA}$		-0.9	-1.5	V
$I_{O(\text{on})}$	On-state output current	$V_{CC+} = \text{MAX}, V_{CC-} = \text{MAX}$		11	15	mA
		$V_{CC+} = \text{MIN}, V_{CC-} = \text{MIN}$	6.5	11		
$I_{O(\text{off})}$	Off-state output current	$V_{CC+} = \text{MIN}, V_{CC-} = \text{MIN}, V_O = 10 \text{ V}$			100	μA
I_{IH}	High-level input current	$V_I = 2.4 \text{ V}$			40	μA
		$V_I = V_{CC+} \text{ max}$			1	mA
I_{IL}	Low-level input current	$V_I = 0.4 \text{ V}$			-1.6	mA
I_{CC+}	Supply current from V_{CC+}	A inputs at 0.4 V	ENABLE at 2 V	33	50	mA
			ENABLE at 0.4 V	33	50	
I_{CC-}	Supply current from V_{CC-}	A inputs at 0.4 V	ENABLE at 2 V	-68	-90	mA
			ENABLE at 0.4 V	-31	-40	

† For conditions shown as MIN or MAX, use the appropriate value specified under recommended operating conditions.

‡ All typical values are at $V_{CC+} = 5 \text{ V}$, $V_{CC-} = -5 \text{ V}$, and $T_A = 25^\circ\text{C}$.

switching characteristics, $V_{CC+} = 5 \text{ V}$, $V_{CC-} = -5 \text{ V}$, $R_L = 50 \Omega$, $C_L = 40 \text{ pF}$, $T_A = 25^\circ\text{C}$

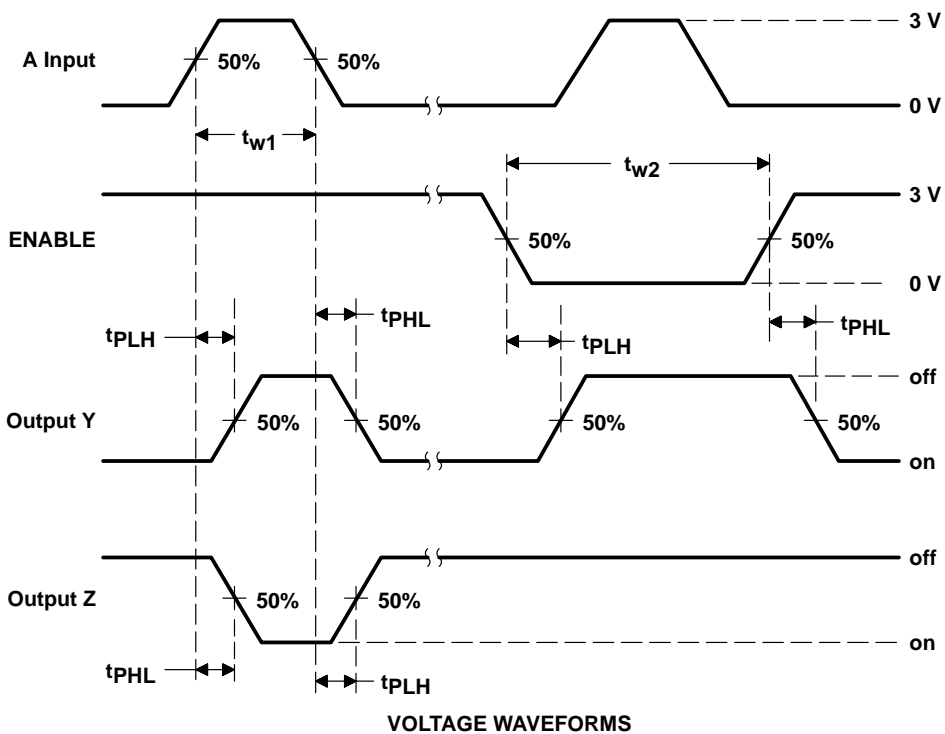
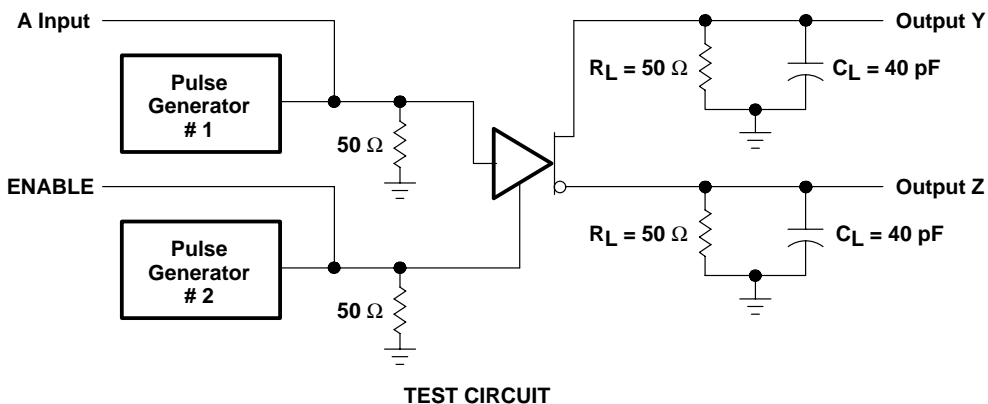
PARAMETER		FROM (INPUT)	TO (OUTPUT)	TEST CONDITIONS	MIN	TYP	MAX	UNIT
t_{PLH}	Propagation delay time, low-to-high level output	A	Y or Z	See Figure 1		9	15	ns
t_{PHL}	Propagation delay time, high-to-low level output	A	Y or Z			7	15	ns
t_{PLH}	Propagation delay time, low-to-high level output	ENABLE	Y or Z			14	25	ns
t_{PHL}	Propagation delay time, high-to-low level output	ENABLE	Y or Z			15	25	ns



MC3453, MC3553 QUAD LINE DRIVERS WITH COMMON ENABLE

SLLS119A – FEBRUARY 1986 – REVISED FEBRUARY 1993

PARAMETER MEASUREMENT INFORMATION



- NOTES: A. The pulse generators have the following characteristics: $Z_O = 50 \Omega$, $t_r = t_f = 10 \pm 5 \text{ ns}$, $t_{W1} = 200 \text{ ns}$, $\text{PRR} \leq 1 \text{ MHz}$, $t_{W2} = 1 \mu\text{s}$, $\text{PRR} \leq 500 \text{ kHz}$.
 B. C_L includes probe and jig capacitance.

Figure 1. Test Circuit and Voltage Waveforms

IMPORTANT NOTICE

Texas Instruments (TI) reserves the right to make changes to its products or to discontinue any semiconductor product or service without notice, and advises its customers to obtain the latest version of relevant information to verify, before placing orders, that the information being relied on is current.

TI warrants performance of its semiconductor products and related software to the specifications applicable at the time of sale in accordance with TI's standard warranty. Testing and other quality control techniques are utilized to the extent TI deems necessary to support this warranty. Specific testing of all parameters of each device is not necessarily performed, except those mandated by government requirements.

Certain applications using semiconductor products may involve potential risks of death, personal injury, or severe property or environmental damage ("Critical Applications").

TI SEMICONDUCTOR PRODUCTS ARE NOT DESIGNED, INTENDED, AUTHORIZED, OR WARRANTED TO BE SUITABLE FOR USE IN LIFE-SUPPORT APPLICATIONS, DEVICES OR SYSTEMS OR OTHER CRITICAL APPLICATIONS.

Inclusion of TI products in such applications is understood to be fully at the risk of the customer. Use of TI products in such applications requires the written approval of an appropriate TI officer. Questions concerning potential risk applications should be directed to TI through a local SC sales office.

In order to minimize risks associated with the customer's applications, adequate design and operating safeguards should be provided by the customer to minimize inherent or procedural hazards.

TI assumes no liability for applications assistance, customer product design, software performance, or infringement of patents or services described herein. Nor does TI warrant or represent that any license, either express or implied, is granted under any patent right, copyright, mask work right, or other intellectual property right of TI covering or relating to any combination, machine, or process in which such semiconductor products or services might be or are used.