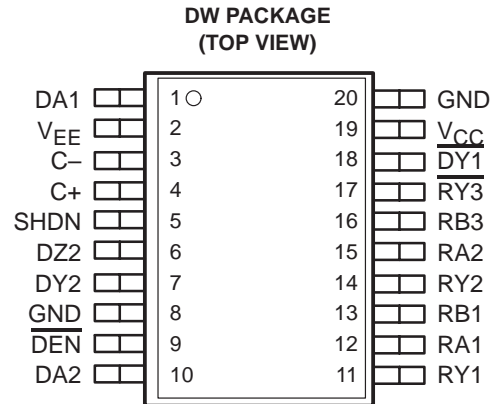


- **Single-Chip Interface Solution for the 9-terminal GeoPort™ Host (DTE)**
- **Designed to Operate up to 4 Mbit/s Full Duplex**
- **Single 5-V Supply Operation**
- **6-kV ESD Protection on All Terminals**
- **Backward compatible With AppleTalk™ and LocalTalk™**
- **Combines Multiple Components into a Single-chip Solution**
- **Complements the SN75LBC777 9-Terminal GeoPort Peripheral (DCE) Interface Device**
- **LinBiCMOS™ Process Technology**



description

The SN75LBC776 is a low-power LinBiCMOS device that incorporates the drivers and receivers for a 9-pin GeoPort host interface. GeoPort combines hybrid EIA/TIA-422-B and EIA/TIA-423-B drivers and receivers to transmit data up to four megabits per second (Mbit/s) full duplex. GeoPort is a serial communications standard that is intended to replace the RS-232, Appletalk, and LocalTalk printer ports all in one connector in addition to providing real-time data transfer capability. It provides point-to-point connections between GeoPort-compatible devices with data transmission rates up to 4 Mbit/s full duplex and a hot-plug feature. Applications include connection to telephony, integrated services digital network (ISDN), digital sound and imaging, fax-data modems, and other serial and parallel connections. The GeoPort is backwardly compatible to both LocalTalk and AppleTalk.

While the SN75LBC776 is powered-off ($V_{CC} = 0$) the outputs are in a high-impedance state. When the shutdown (SHDN) terminal is high, the charge pump is powered down and the outputs are in a high-impedance state. The driver enable (\overline{DEN}) terminal sends the outputs of the differential driver into a high-impedance state with a high input signal. All drivers and receivers have fail-safe mechanisms to ensure a high output state when the inputs are left open.

A switched-capacitor voltage converter generates the negative voltage required from a single 5-V supply using four 0.1- μ F capacitors, two capacitors between the C+ and C- terminals and two capacitors between V_{EE} and ground.

The SN75LBC776 is characterized for operation over the 0°C to 70°C temperature range.



Please be aware that an important notice concerning availability, standard warranty, and use in critical applications of Texas Instruments semiconductor products and disclaimers thereto appears at the end of this data sheet.

GeoPort, LocalTalk, and AppleTalk are trademarks of Apple Computer, Incorporated.
LinBiCMOS is a trademark of Texas Instruments Incorporated.

PRODUCTION DATA information is current as of publication date. Products conform to specifications per the terms of Texas Instruments standard warranty. Production processing does not necessarily include testing of all parameters.



POST OFFICE BOX 655303 • DALLAS, TEXAS 75265

Copyright © 1996, Texas Instruments Incorporated

SN75LBC776 SINGLE-CHIP GeoPort™ TRANSCEIVER

SLLS221A – NOVEMBER 1995 – REVISED JANUARY 1996

DRIVER FUNCTION TABLE†

INPUT DA1	INPUT DA2	ENABLE SHDN	ENABLE DEN	OUTPUT DY1	OUTPUT DY2	OUTPUT DZ2
H	X	L	X	L	X	X
L	X	L	X	H	X	X
X	H	L	L	X	H	L
X	L	L	L	X	L	H
OPEN	OPEN	L	L	L	H	L
X	X	H	X	Z	Z	Z
X	X	X	H	X	Z	Z
X	X	OPEN	OPEN	Z	Z	Z

† H = high level L = low level X = irrelevant ? = indeterminate Z = high impedance (off)

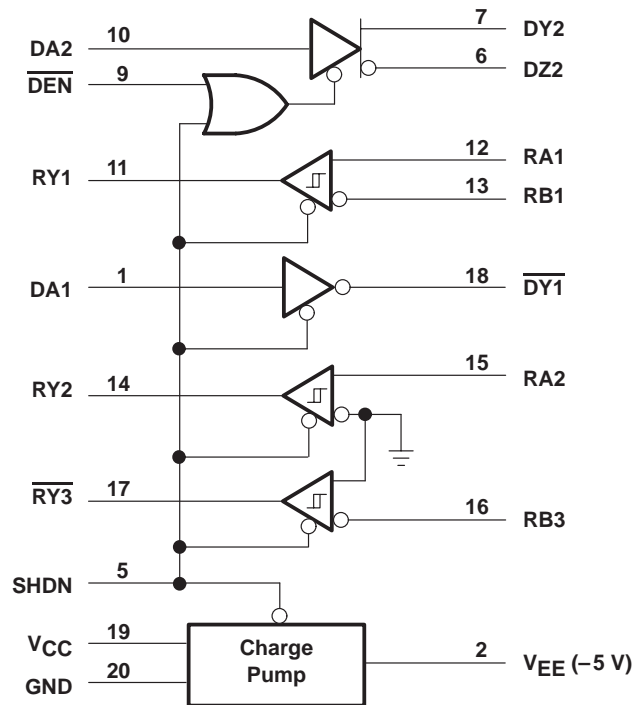
RECEIVER FUNCTION TABLE†

INPUT RA1 RB1	INPUT RA2 & RB3	ENABLE SHDN	OUTPUT RY1	OUTPUT RY2	OUTPUT RY3
H L	H	L	H	H	L
L H	L	L	L	L	H
OPEN	OPEN	L	H	H	H
SHORT‡	SHORT‡	L	?	?	?
X X	X	H	Z	Z	Z
X X	X	OPEN	Z	Z	Z

† H = high level L = low level X = irrelevant ? = indeterminate Z = high impedance (off)

‡ $-0.2\text{ V} < V_{ID} < 0.2\text{ V}$

function logic diagram (positive logic)



absolute maximum ratings over operating free-air temperature range (unless otherwise noted)†

Positive supply voltage range, V_{CC} (see Note 1)	–0.5 to 7 V
Negative supply voltage range, V_{EE} (see Note 1)	–7 to 0.5 V
Receiver input voltage range (RA, RB)	–15 V to 15 V
Receiver differential input voltage range, V_{ID}	–12 to 12 V
Receiver output voltage range (RY)	–0.5 V to 5.5 V
Driver output voltage range (Power Off) ($\overline{DY1}$, DY2, DZ2)	–15 V to 15 V
Driver output voltage range (Power On) ($\overline{DY1}$, DY2, DZ2)	–11 V to 11 V
Driver input voltage range (DA, SHND, \overline{DEN})	–0.5 V to $V_{CC} + 0.4$ V
Continuous total power dissipation	See Dissipation Rating Table
Electrostatic discharge (see Note 2): (Bus terminals), Class 3, A	6 kV
(Bus terminals), Class 3, B	500 V
(All terminals), Class 3, A	6 kV
(All terminals), Class 3, B	500 V
Operating free-air temperature range, T_A	0°C to 70°C
Storage temperature range, T_{stg}	–65°C to 150°C
Lead temperature 1,6 mm (1/16 inch) from case for 10 seconds	260°C

† Stresses beyond those listed under “absolute maximum ratings” may cause permanent damage to the device. These are stress ratings only, and functional operation of the device at these or any other conditions beyond those indicated under “recommended operating conditions” is not implied. Exposure to absolute-maximum-rated conditions for extended periods may affect device reliability.

- NOTES: 1. All voltage values are with respect to network ground terminal unless otherwise noted.
2. This parameter is measured in accordance with MIL-STD-883C, Method 3015.7.

DISSIPATION RATING TABLE

PACKAGE	$T_A \leq 25^\circ\text{C}$ POWER RATING	OPERATING FACTOR ABOVE $T_A = 25^\circ\text{C}$	$T_A = 70^\circ\text{C}$ POWER RATING
DW	1125 mW	9.0 mW/°C	720 mW

SN75LBC776 SINGLE-CHIP GeoPort™ TRANSCEIVER

SLLS221A – NOVEMBER 1995 – REVISED JANUARY 1996

recommended operating conditions

		MIN	NOM	MAX	UNIT
Supply voltage, V_{CC}		4.75	5	5.25	V
High-level input voltage, V_{IH}	DA, SHDN, \overline{DEN}	2		5.25	V
Low-level input voltage, V_{IL}	DA, SHDN, \overline{DEN}			0.8	V
Receiver common-mode input voltage, V_{IC}		-7		7	V
Receiver differential input voltage, V_{ID}		-12		12	V
Voltage-converter filter capacitance		0.2			μ F
Voltage-converter filter-capacitor equivalent series resistance (ESR)				0.2	Ω
Operating free-air temperature, T_A		0		70	$^{\circ}$ C

driver electrical characteristics over operating free-air temperature range (unless otherwise noted)

PARAMETER		TEST CONDITIONS		MIN	TYP	MAX	UNIT
V_{OH}	High-level output voltage	Single ended, See Figure 1	$R_L = 12\text{ k}\Omega$	3.6	4.53		V
			$R_L = 120\ \Omega$	2	3.63		V
V_{OL}	Low-level output voltage		$R_L = 12\text{ k}\Omega$		-4.53	-3.6	V
			$R_L = 120\ \Omega$		-2.7	-1.8	V
$ V_{OD} $	Magnitude of differential output voltage $ V(DY) - V(DZ) $	$R_L = 120\ \Omega$,	See Figure 2	4			V
$\Delta V_{OD} $	Change in differential voltage magnitude					250	mV
V_{OC}	Common-mode output voltage	See Figure 3		-1		3	V
$ \Delta V_{OC(SS)} $	Magnitude of change, common-mode steady state output voltage					200	mV
$ \Delta V_{OC(PP)} $	Magnitude of change, common-mode peak-to-peak output voltage				700		mV
I_{CC}	Supply current	SHDN = $\overline{DEN} = 0\text{ V}$,	No load		7	15	mA
		SHDN = $\overline{DEN} = 5\text{ V}$,	No load			100	μ A
I_{OZ}	High-impedance output current	$V_O = -10\text{ V to } 10\text{ V}$, $V_{CC} = 0\text{ or } 5\text{ V}$				± 100	μ A
I_{OS}	Short-circuit output current (see Note 3)	$V_O = -5\text{ V to } 5\text{ V}$			± 170	± 450	mA

NOTE 3: Not more than one output should be shorted at one time.



driver switching characteristics over operating free-air temperature range (unless otherwise noted)

PARAMETER		TEST CONDITIONS	MIN	TYP	MAX	UNIT	
t _{PHL}	Propagation delay time, high-to-low level output	Single ended, See Figure 4		42	75	ns	
t _{PLH}	Propagation delay time, low-to-high level output			41	75	ns	
t _{PZL}	Driver output enable time to low-level output		SHDN		25	100	μs
t _{PZH}	Driver output enable time to high-level output				25	100	μs
t _{PLZ}	Driver output disable time from low-level output		SHDN		28	100	ns
t _{PHZ}	Driver output disable time from high-level output				37	100	ns
t _r	Rise time			10	25	75	ns
t _f	Fall time			10	23	75	ns
t _{PHL}	Propagation delay time, high-to-low level output		Differential, See Figure 5		40	75	ns
t _{PLH}	Propagation delay time, low-to-high level output				42	75	ns
t _{PZL}	Driver output enable time to low-level output	SHDN			25	100	μs
		$\overline{\text{DEN}}$			29	150	ns
t _{PZH}	Driver output enable time to high-level output	SHDN			25	100	μs
		$\overline{\text{DEN}}$			35	150	ns
t _{PLZ}	Driver output disable time from low-level output	SHDN			28	100	ns
		$\overline{\text{DEN}}$			34	100	ns
t _{PHZ}	Driver output disable time from high-level output	SHDN			37	100	ns
		$\overline{\text{DEN}}$			34	100	ns
t _r	Rise time			10	27	75	ns
t _f	Fall time			10	26	75	ns
t _{SK(p)}	Pulse skew, t _{PLH} – t _{PHL}					22	ns

receiver electrical characteristics over operating free-air temperature range (unless otherwise noted)

PARAMETER		TEST CONDITIONS	MIN	TYP	MAX	UNIT
V _{IT+}	Positive-going input threshold voltage	See Figure 6			200	mV
V _{IT-}	Negative-going input threshold voltage			-200		
V _{hys}	Differential input voltage hysteresis (V _{IT+} – V _{IT-})				50	mV
V _{OH}	High-level output voltage (see Note 4)	V _{IC} = 0, I _{OH} = -2 mA, See Figure 6	2	4.9		V
V _{OL}	Low-level output voltage	V _{IC} = 0, I _{OL} = 2 mA, See Figure 6		0.2	0.8	V
I _{OS}	Short-circuit output current	V _O = 0	-85	-45		mA
		V _O = V _{CC}		47	+85	
R _I	Input resistance	V _{CC} = 0 or 5.25 V, V _I = -12 V to 12 V	6	30		kΩ

NOTE 4: When the inputs are left unconnected, receivers one and two interpret these as high-level inputs and receiver three interprets these as low-level inputs so that all outputs are at a high level.

SN75LBC776 SINGLE-CHIP GeoPort™ TRANSCEIVER

SLLS221A – NOVEMBER 1995 – REVISED JANUARY 1996

receiver switching characteristics over operating free-air temperature range (unless otherwise noted)

PARAMETER		TEST CONDITIONS	MIN	TYP	MAX	UNIT
t _{PHL}	Propagation delay time, high-to-low-level output	R _L = 2 kΩ, See Figure 6 C _L = 15 pF,		31	75	ns
t _{PLH}	Propagation delay time, low-to-high level output			30	75	ns
t _r	Rise time			15	30	ns
t _f	Fall time			15	30	ns
t _{SK(P)}	Pulse skew t _{PLH} –t _{PHL}				20	ns
t _{PZL}	Receiver output enable time to low level output	Differential, See Figure 7 C _L =50 pF,		35	100	ns
t _{PZH}	Receiver output enable time to high level output			32	100	ns
t _{PLZ}	Receiver output disable time from low level output			21	100	ns
t _{PHZ}	Receiver output disable time from high level output			21	100	ns
t _{PZL}	Receiver output enable time to low level output	Single ended, See Figure 7 C _L =50 pF,		12	25	μs
t _{PZH}	Receiver output enable time to high level output			12	25	μs
t _{PLZ}	Receiver output disable time from low level output			25	100	ns
t _{PHZ}	Receiver output disable time from high level output			125	400	ns

PARAMETER MEASUREMENT INFORMATION

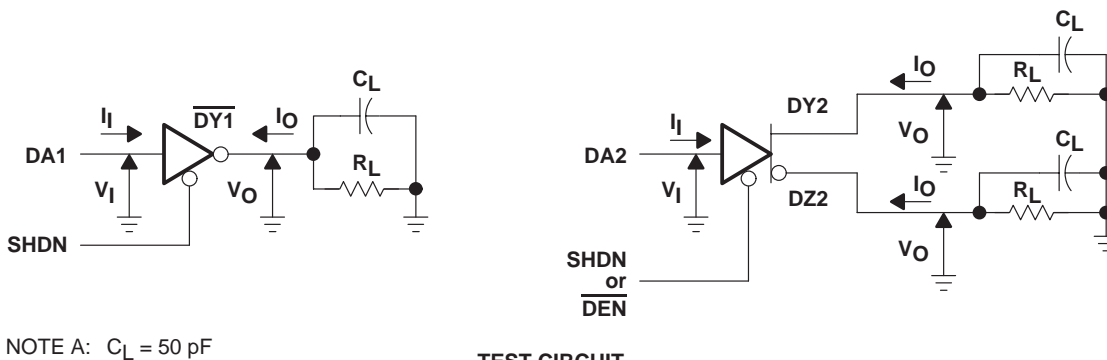


Figure 1. Single-Ended Driver DC Parameter Test

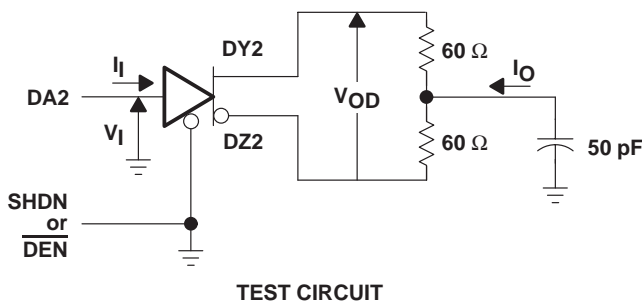
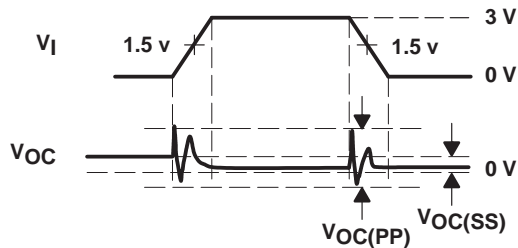
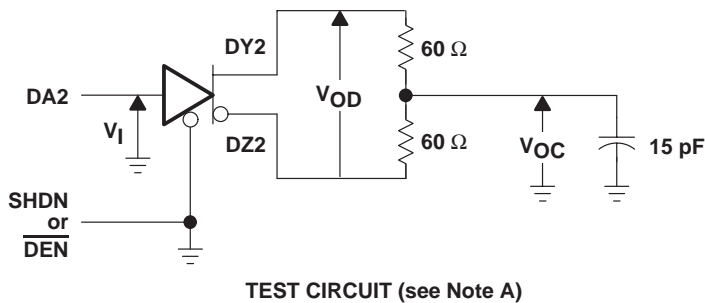


Figure 2. Differential Driver DC Parameter Test



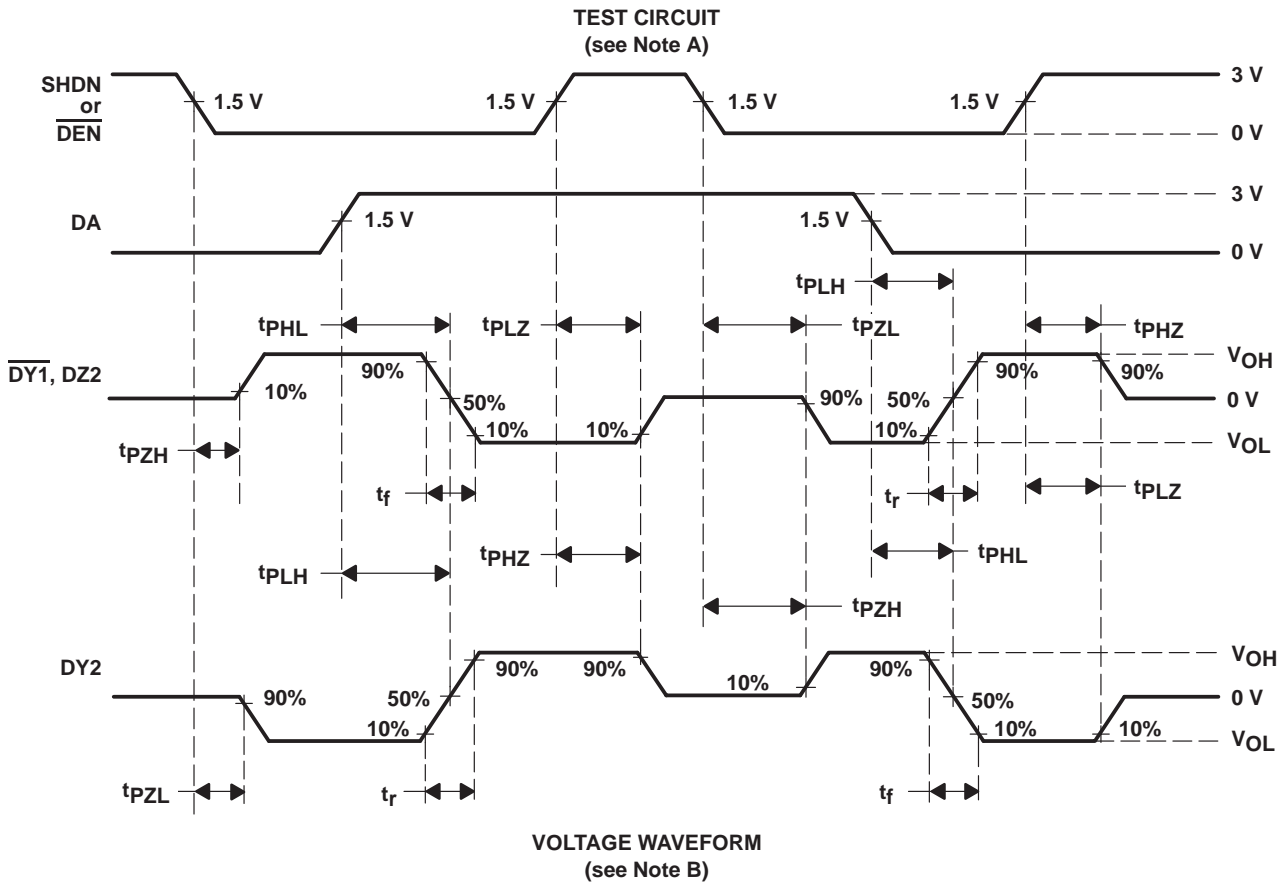
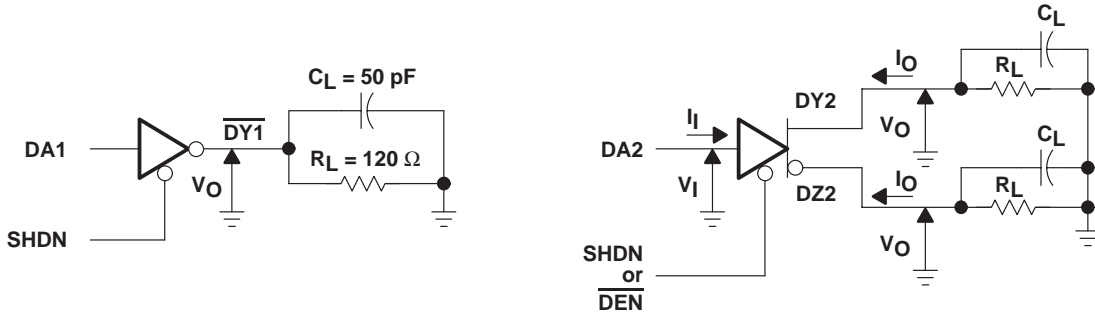
NOTE A: Measured 3dB bandwidth = 300 MHz

Figure 3. Differential-Driver Common-Mode Output Voltage Tests

SN75LBC776 SINGLE-CHIP GeoPort™ TRANSCEIVER

SLLS221A – NOVEMBER 1995 – REVISED JANUARY 1996

PARAMETER MEASUREMENT INFORMATION



- NOTES: A. $C_L = 50 \text{ pF}$, $R_L = 120 \Omega$
 B. The input waveform t_r , $t_f \leq 10 \text{ ns}$.

Figure 4. Single-Ended Driver Propagation and Transition Times

PARAMETER MEASUREMENT INFORMATION

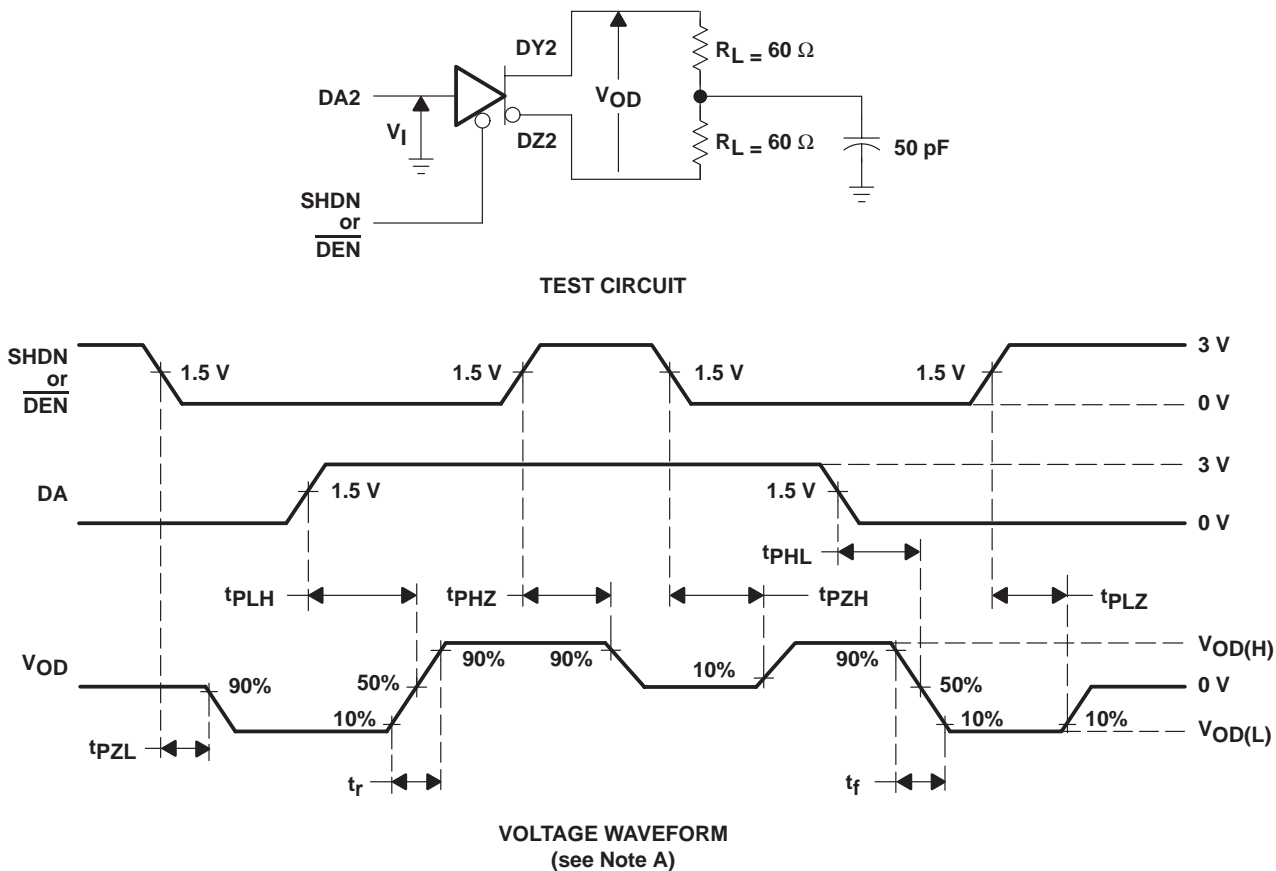


Figure 5. Differential Driver Propagation and Transition Times

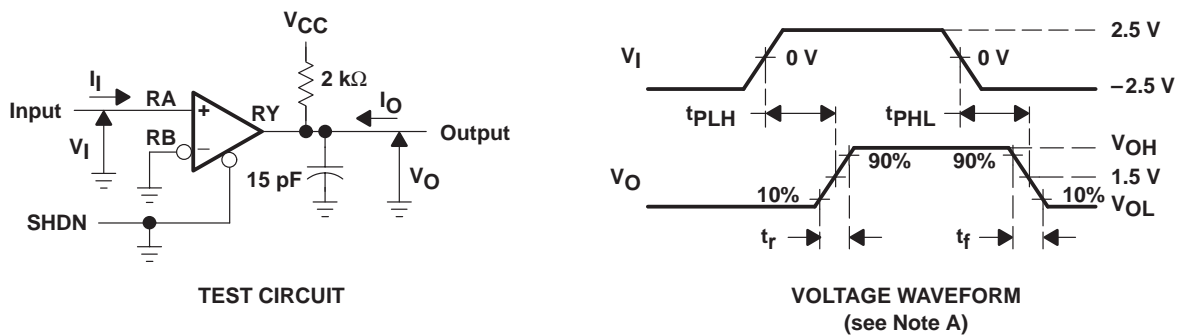


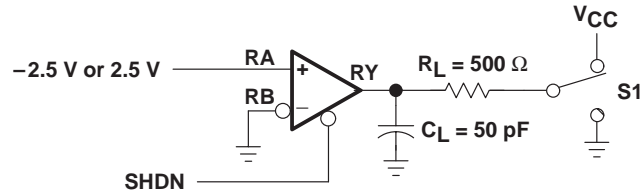
Figure 6. Receiver Propagation and Transition Times

NOTE A: The input waveform t_r , $t_f \leq 10$ ns.

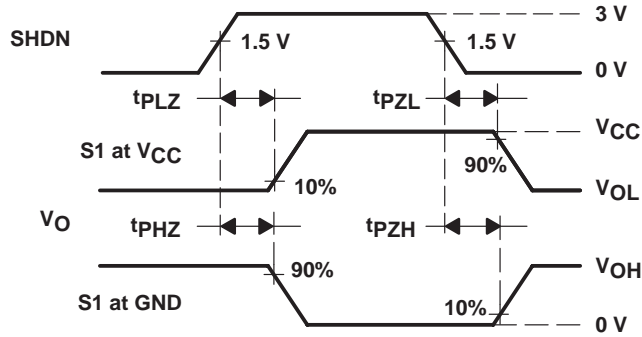
SN75LBC776 SINGLE-CHIP GeoPort™ TRANSCEIVER

SLLS221A – NOVEMBER 1995 – REVISED JANUARY 1996

PARAMETER MEASUREMENT INFORMATION



TEST CIRCUIT

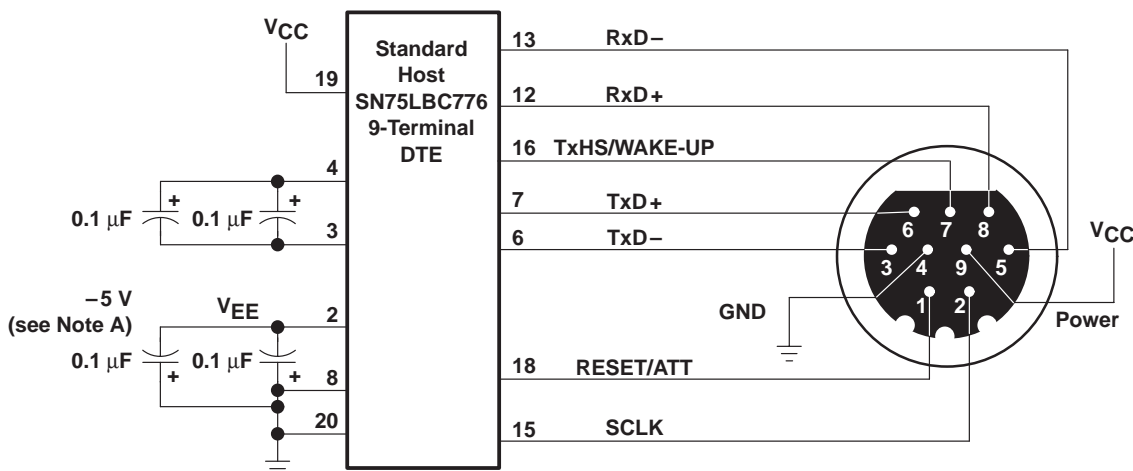
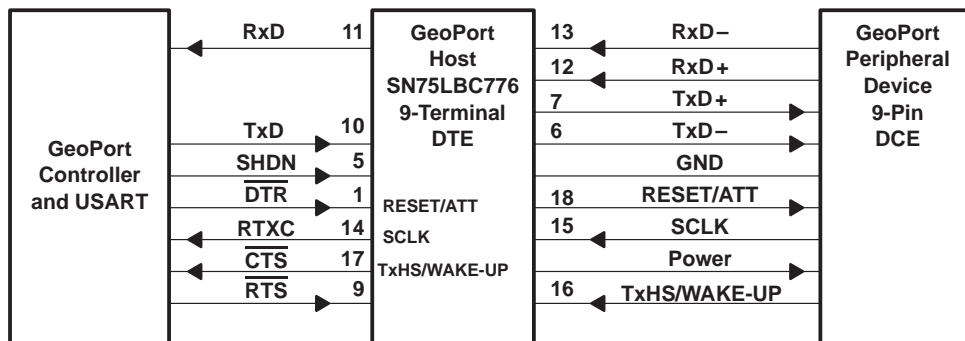


VOLTAGE WAVEFORM
(see Note A)

NOTE A: The input waveform t_r , $t_f \leq 10$ ns.

Figure 7. Receiver Enable and Disable Test Circuit and Waveforms

APPLICATION INFORMATION



NOTE A: The AVX 0603YC104MATXA or equivalent is one of the possible capacitors that can be used as the charge pump capacitor.

Figure 8. GeoPort 9-Terminal DTE Connection Application

SN75LBC776 SINGLE-CHIP GeoPort™ TRANSCEIVER

SLLS221A – NOVEMBER 1995 – REVISED JANUARY 1996

APPLICATION INFORMATION

generator characteristics

PARAMETER	TEST CONDITIONS	EIA/TIA-232/V.28		EIA/TIA-423/V.10		562		UNIT
		MIN	MAX	MIN	MAX	MIN	MAX	
V _O	Output voltage magnitude	Open circuit		25	4	6	13.2	V
		3 kΩ ≤ R _L ≤ 7 kΩ		5	15	NA	3.7	V
		R _L = 450 Ω		NA	3.6	NA	NA	V
V _O (RING)	Output voltage ringing	NA		10%		5%		
I _{OS}	Short-circuit output current	V _O = 0		100	150		60	mA
I _O (OFF)	Power-off output current	V _{CC} = 0, V _O < 2 V		300	NA		300	Ω
		V _{CC} = 0, V _O < 6 V		NA	±100		NA	μA
SR	Output voltage slew rate			30	NA		4 30	V/μs
t _t	Transition time	±3.3 V to ±3.3 V		NA	NA		0.22 2.1	μs
		±3 V to ±3 V			0.04		NA	ui†
		10% to 90%		NA			0.3	NA

† ui is the unit interval and is the inverse of the signaling rate (bit transmit time).

receiver characteristics

PARAMETER	TEST CONDITIONS	EIA/TIA-232/V.28		EIA/TIA-423/V.10		562		UNIT
		MIN	MAX	MIN	MAX	MIN	MAX	
V _I	Input voltage magnitude			25	10		25	V
V _{IT}	Input voltage threshold	V _I < 15 V		-3	3		-3 3	V
		V _I < 10 V		NA	-0.2 0.2		NA	
R _I	Input resistance	3 V < V _I < 15 V		3	7		3 7	kΩ
		V _I < 10 V		NA	4		NA	kΩ

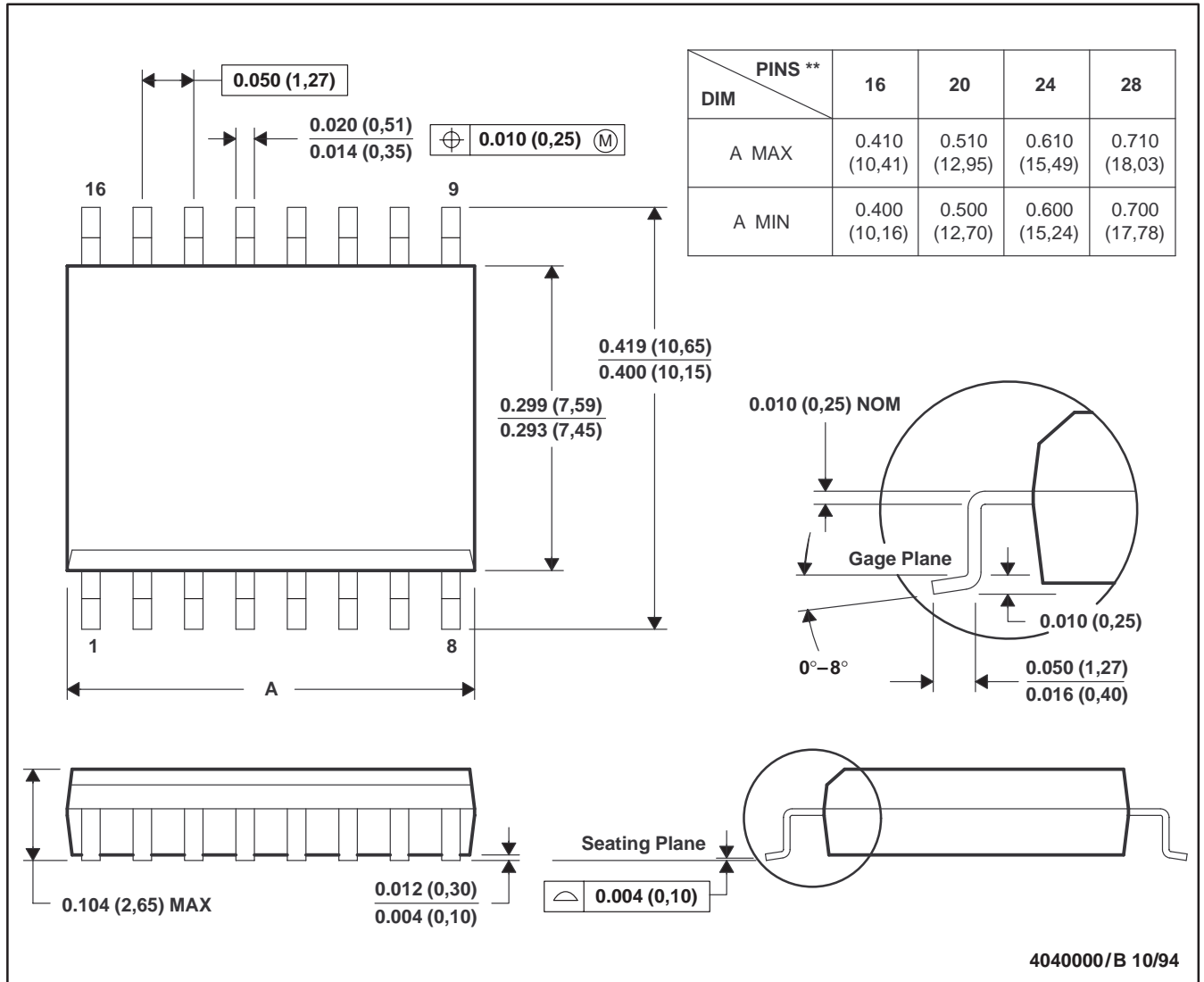


MECHANICAL INFORMATION

DW (R-PDSO-G**)

PLASTIC SMALL-OUTLINE PACKAGE

16 PIN SHOWN



- NOTES: A. All linear dimensions are in inches (millimeters).
 B. This drawing is subject to change without notice.
 C. Body dimensions do not include mold flash or protrusion not to exceed 0.006 (0,15).
 D. Falls within JEDEC MS-013

IMPORTANT NOTICE

Texas Instruments and its subsidiaries (TI) reserve the right to make changes to their products or to discontinue any product or service without notice, and advise customers to obtain the latest version of relevant information to verify, before placing orders, that information being relied on is current and complete. All products are sold subject to the terms and conditions of sale supplied at the time of order acknowledgement, including those pertaining to warranty, patent infringement, and limitation of liability.

TI warrants performance of its semiconductor products to the specifications applicable at the time of sale in accordance with TI's standard warranty. Testing and other quality control techniques are utilized to the extent TI deems necessary to support this warranty. Specific testing of all parameters of each device is not necessarily performed, except those mandated by government requirements.

CERTAIN APPLICATIONS USING SEMICONDUCTOR PRODUCTS MAY INVOLVE POTENTIAL RISKS OF DEATH, PERSONAL INJURY, OR SEVERE PROPERTY OR ENVIRONMENTAL DAMAGE ("CRITICAL APPLICATIONS"). TI SEMICONDUCTOR PRODUCTS ARE NOT DESIGNED, AUTHORIZED, OR WARRANTED TO BE SUITABLE FOR USE IN LIFE-SUPPORT DEVICES OR SYSTEMS OR OTHER CRITICAL APPLICATIONS. INCLUSION OF TI PRODUCTS IN SUCH APPLICATIONS IS UNDERSTOOD TO BE FULLY AT THE CUSTOMER'S RISK.

In order to minimize risks associated with the customer's applications, adequate design and operating safeguards must be provided by the customer to minimize inherent or procedural hazards.

TI assumes no liability for applications assistance or customer product design. TI does not warrant or represent that any license, either express or implied, is granted under any patent right, copyright, mask work right, or other intellectual property right of TI covering or relating to any combination, machine, or process in which such semiconductor products or services might be or are used. TI's publication of information regarding any third party's products or services does not constitute TI's approval, warranty or endorsement thereof.