

LT1013, LT1013A, LT1013D, LT1013Y DUAL PRECISION OPERATIONAL AMPLIFIERS

SLOS018B – MAY 1988 – REVISED OCTOBER 1996

- **Single-Supply Operation:**
Input Voltage Range Extends to Ground
Output Swings to Ground While Sinking Current
- **Input Offset Voltage**
150 μV Max at 25°C for LT1013A
- **Offset Voltage Temperature Coefficient**
2.5 $\mu\text{V}/^\circ\text{C}$ Max for LT1013A
- **Input Offset Current**
0.8 nA Max at 25°C for LT1013A
- **High Gain . . .** 1.5 $\text{V}/\mu\text{V}$ Min ($R_L = 2 \text{ k}\Omega$),
0.8 $\text{V}/\mu\text{V}$ Min ($R_L = 600 \text{ k}\Omega$) for LT1013A
- **Low Supply Current . . .** 0.5 mA Max at
 $T_A = 25^\circ\text{C}$ for LT1013A
- **Low Peak-to-Peak Noise Voltage**
0.55 μV Typ
- **Low Current Noise . . .** 0.07 $\text{pA}/\sqrt{\text{Hz}}$ Typ

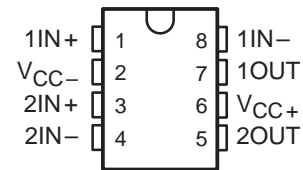
description

The LT1013 is a dual precision operational amplifier featuring low offset voltage temperature coefficient, high gain, low supply current, and low noise.

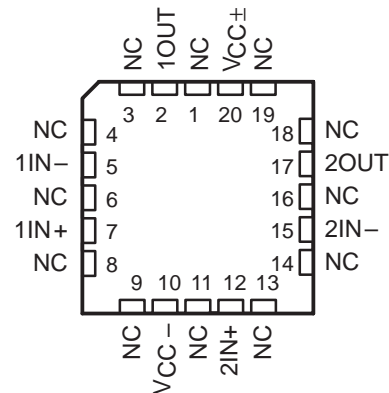
The LT1013 can be operated from a single 5-V power supply; the common-mode input voltage range includes ground, and the output can also swing to within a few millivolts of ground. Crossover distortion is eliminated. The LT1013 can be operated with both dual $\pm 15\text{-V}$ and single 5-V supplies.

The LT1013C and LT1013AC, and LT1013D are characterized for operation from 0°C to 70°C. The LT1013I and LT1013AI, and LT1013DI are characterized for operation from -40°C to 105°C. The LT1013M and LT1013AM, and LT1013DM are characterized for operation over the full military temperature range of -55°C to 125°C.

**D PACKAGE
(TOP VIEW)**

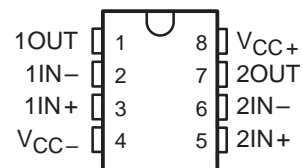


**FK PACKAGE
(TOP VIEW)**



NC – No internal connection

**JG OR P PACKAGE
(TOP VIEW)**



Please be aware that an important notice concerning availability, standard warranty, and use in critical applications of Texas Instruments semiconductor products and disclaimers thereto appears at the end of this data sheet.

PRODUCTION DATA information is current as of publication date. Products conform to specifications per the terms of Texas Instruments standard warranty. Production processing does not necessarily include testing of all parameters.

**TEXAS
INSTRUMENTS**

POST OFFICE BOX 655303 • DALLAS, TEXAS 75265

Copyright © 1996, Texas Instruments Incorporated
On products compliant to MIL-PRF-38535, all parameters are tested unless otherwise noted. On all other products, production processing does not necessarily include testing of all parameters.

LT1013, LT1013A, LT1013D, LT1013Y DUAL PRECISION OPERATIONAL AMPLIFIERS

SLOS018B – MAY 1988 – REVISED OCTOBER 1996

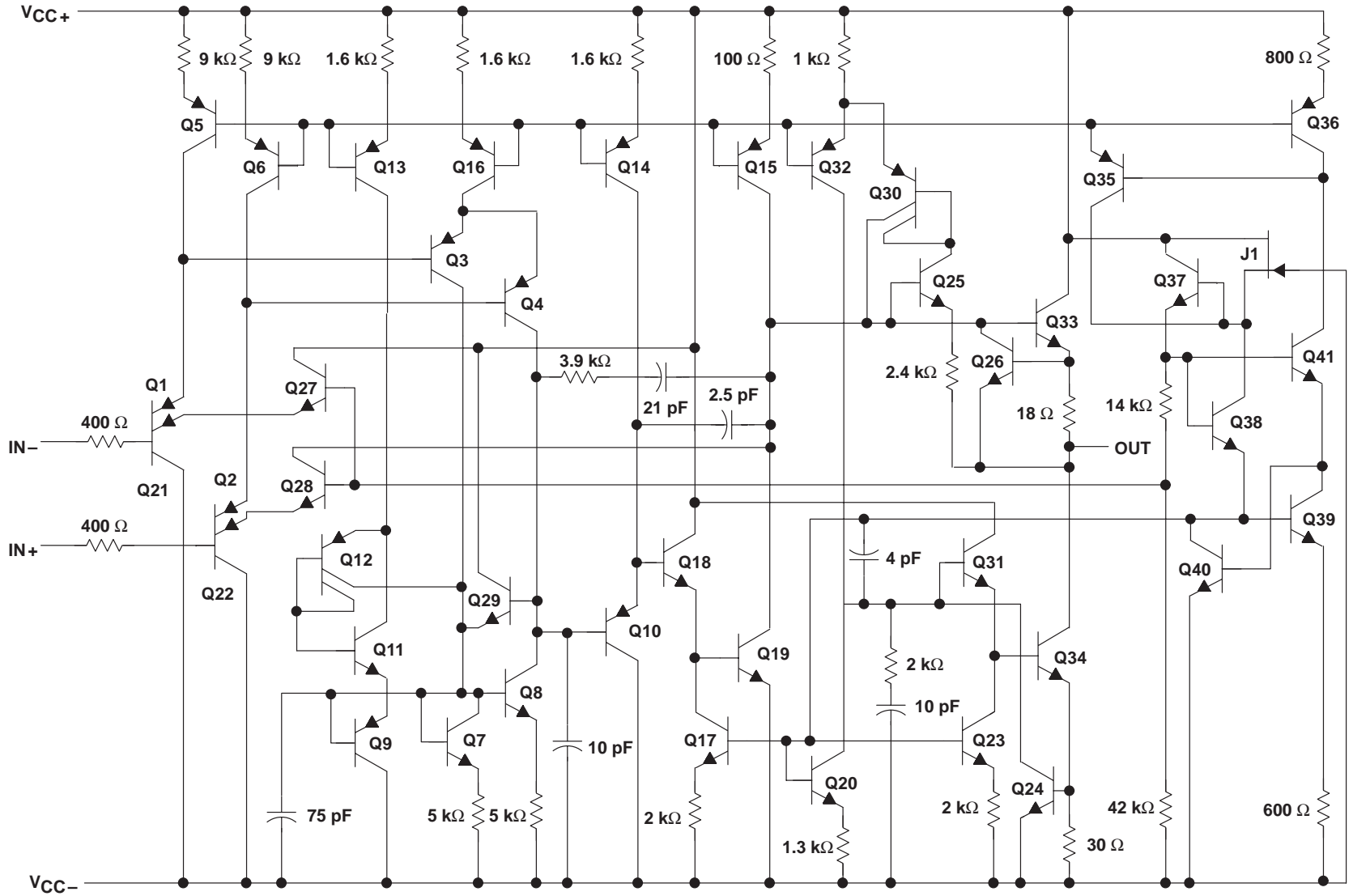
AVAILABLE OPTIONS

T _A	V _{I0} max AT 25°C	PACKAGED DEVICES				CHIP FORM (Y)
		SMALL OUTLINE (D)	CHIP CARRIER (FK)	CERAMIC DIP (JG)	PLASTIC DIP (P)	
0°C to 70°C	150 μV	—	—	—	LT1013ACP	LT1013Y
	300 μV	—	—	—	LT1013CP	
	800 μV	LT1013DD	—	—	LT1013DP	
-40°C to 105°C	150 μV	—	—	—	LT1013AIP	—
	300 μV	—	—	—	LT1013IP	
	800 μV	LT1013DID	—	—	LT1013DIP	
-55°C to 125°C	150 μV	—	LT1013AMFK	—	LT1013AMP	—
	300 μV	—	LT1013MFK	LT1013MJG	LT1013MP	
	800 μV	LT1013DMD	—	LT1013DMJG	LT1013DMP	

The D package is available taped and reeled. Add the suffix R to the device type (e.g., LT1013DDR).



schematic (each amplifier)



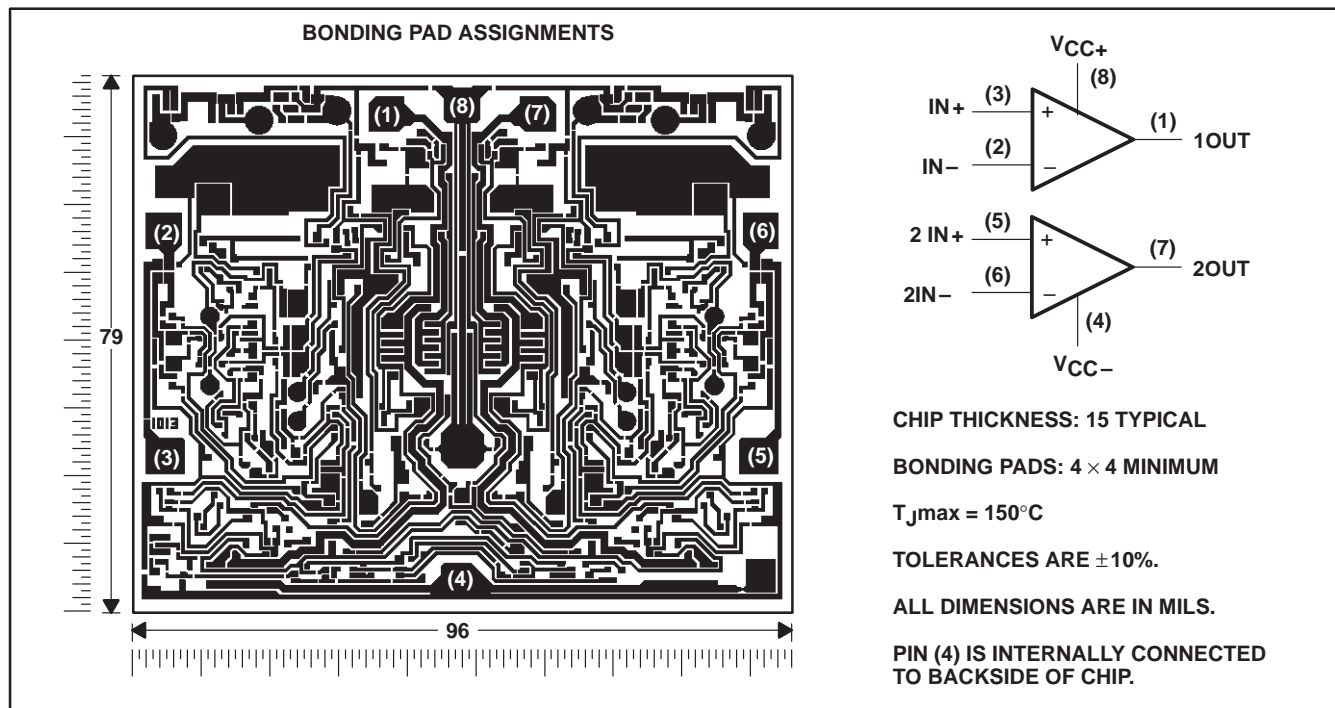
Component values are nominal.

LT1013, LT1013A, LT1013D, LT1013Y DUAL PRECISION OPERATIONAL AMPLIFIERS

SLOS018B – MAY 1988 – REVISED OCTOBER 1996

LT1013Y chip information

This chip, when properly assembled, displays characteristics similar to the LT1013. Thermal compression or ultrasonic bonding may be used on the doped-aluminum bonding pads. Chips may be mounted with conductive epoxy or a gold-silicon preform.



absolute maximum ratings over operating free-air temperature range (unless otherwise noted)

Supply voltage, V_{CC+} (see Note 1)	22 V
Supply voltage, V_{CC-} (see Note 1)	-22 V
Differential input voltage (see Note 2)	± 30 V
Input voltage range, V_I (any input, see Note 1)	$V_{CC-} - 5$ V to V_{CC+}
Duration of short-circuit current at (or below) 25°C (see Note 3)	unlimited
Operating free-air temperature range, T_A : LT1013C, LT1013AC, LT1013D	-0 °C to 70°C
LT1013I, LT1013AI, LT1013DI	-40°C to 105°C
LT1013M, LT1013AM, LT1013DM	-55 °C to 125°C
Storage temperature range	-65 °C to 150°C
Lead temperature 1.6 mm (1/16 inch) from case for 10 seconds: D or P package	260°C
Case temperature for 60 seconds: FK package	260°C
Lead temperature 1.6 mm (1/16 inch) from case for 10 seconds: JG package	300°C

- NOTES: 1. All voltage values, except differential voltages, are with respect to the midpoint between V_{CC+} and V_{CC-} .
 2. Differential voltages are at $IN+$ with respect to $IN-$.
 3. The output may be shorted to either supply.

electrical characteristics at specified free-air temperature, $V_{CC\pm} = \pm 15\text{ V}$, $V_{IC} = 0$ (unless otherwise noted)

PARAMETER	TEST CONDITIONS	T_A †	LT1013C			LT1013AC			LT1013DC			UNIT
			MIN	TYP‡	MAX	MIN	TYP‡	MAX	MIN	TYP‡	MAX	
V_{IO} Input offset voltage	$R_S = 50\ \Omega$	25°C	60	300	40	150	200	800				μV
		Full range	400			240			1000			
α_{VIO} Temperature coefficient of input offset voltage		Full range	0.4	2.5	0.3	2	0.7	5				$\mu\text{V}/^\circ\text{C}$
Long-term drift of input offset voltage		25°C	0.5			0.4			0.5			$\mu\text{V}/\text{mo}$
I_{IO} Input offset current		25°C	0.2	1.5	0.15	0.8	0.2	1.5				nA
		Full range	2.8			1.5			2.8			
I_{IB} Input bias current		25°C	-15	-30	-12	-20	-15	-30				nA
		Full range	-38			-25			-38			
V_{ICR} Common-mode input voltage range		25°C	-15 to 13.5	-15.3 to 13.8	-15 to 13.5	-15.3 to 13.8	-15 to 13.5	-15.3 to 13.8				V
		Full range	-15 to 13		-15 to 13		-15 to 13					
V_{OM} Maximum peak output voltage swing	$R_L = 2\ \text{k}\Omega$	25°C	± 12.5	± 14	± 13	± 14	± 12.5	± 14				V
		Full range	± 12		± 12.5		± 12					
A_{VD} Large-signal differential voltage amplification	$V_O = \pm 10\ \text{V}$, $R_L = 600\ \Omega$	25°C	0.5	0.2	0.8	2.5	0.5	2				$\text{V}/\mu\text{V}$
	$V_O = \pm 10\ \text{V}$, $R_L = 2\ \text{k}\Omega$	25°C	1.2	7	1.5	8	1.2	7				
		Full range	0.7		1		0.7					
CMRR Common-mode rejection ratio	$V_{IC} = -15\ \text{V}$ to $13.5\ \text{V}$	25°C	97	114	100	117	97	114				dB
	$V_{IC} = -14.9\ \text{V}$ to $13\ \text{V}$	Full range	94		98		94					
K_{SVR} Supply-voltage rejection ratio ($\Delta V_{CC}/\Delta V_{IO}$)	$V_{CC+} = \pm 2\ \text{V}$ to $\pm 18\ \text{V}$	25°C	100	117	103	120	100	117				dB
		Full range	97		101		97					
Channel separation	$V_O = \pm 10\ \text{V}$, $R_L = 2\ \text{k}\Omega$	25°C	120	137	123	140	120	137				dB
r_{id} Differential input resistance		25°C	70	300	100	400	70	300				$\text{M}\Omega$
r_{ic} Common-mode input resistance		25°C	4		5		4					$\text{G}\Omega$
I_{CC} Supply current per amplifier		25°C	0.35	0.55	0.35	0.5	0.35	0.55				mA
		Full range	0.7			0.55			0.6			

† Full range is 0°C to 70°C.

‡ All typical values are at $T_A = 25^\circ\text{C}$.

electrical characteristics at specified free-air temperature, $V_{CC+} = 5\text{ V}$, $V_{CC-} = 0$, $V_O = 1.4\text{ V}$, $V_{IC} = 0$ (unless otherwise noted)

PARAMETER	TEST CONDITIONS	T_A †	LT1013C			LT1013AC			LT1013DC			UNIT
			MIN	TYP	MAX	MIN	TYP	MAX	MIN	TYP	MAX	
V_{IO} Input offset voltage	$R_S = 50\ \Omega$	25°C		90	450		60	250		250	950	μV
		Full range			570			350			1200	
I_{IO} Input offset current		25°C		0.3	2		0.2	1.3		0.3	2	nA
		Full range			6			3.5			6	
I_{IB} Input bias current		25°C		-18	-50		-15	-35		-18	-50	nA
		Full range			-90			-55			-90	
V_{ICR} Common-mode input voltage range		25°C	0 to 3.5	-0.3 to 3.8		0 to 3.5	-0.3 to 3.8		0 to 3.5	0.3 to 3.8		V
		Full range	0 to 3			0 to 3			0 to 3			
V_{OM} Maximum-peak output voltage swing	Output low, No load	25°C		15	25		15	25		15	25	mV
	Output low, $R_L = 600\ \Omega$ to GND	25°C		5	10		5	10		5	10	
		Full range				13			13			
	Output low, $I_{sink} = 1\text{ mA}$	25°C		220	350		220	350		220	350	V
	Output high, No load	25°C		4	4.4		4	4.4		4	4.4	
	Output high, $R_L = 600\ \Omega$ to GND	25°C		3.4	4		3.4	4		3.4	4	
Full range				3.2			3.3			3.2		
A_{VD} Large-signal differential voltage amplification	$V_O = 5\text{ mV}$ to 4 V , $R_L = 500\ \Omega$	25°C		1			1			1	$\text{V}/\mu\text{V}$	
I_{CC} Supply current per amplifier		25°C		0.32	0.5		0.31	0.45		0.32	0.5	mA
		Full range			0.55			0.5			0.55	

† Full range is -0°C to 70°C .

operating characteristics, $V_{CC\pm} = \pm 15\text{ V}$, $V_{IC} = 0$, $T_A = 25^\circ\text{C}$

PARAMETER	TEST CONDITIONS	MIN	TYP	MAX	UNIT
SR Slew rate		0.2	0.4		$\text{V}/\mu\text{s}$
V_n Equivalent input noise voltage	$f = 10\text{ Hz}$		24		$\text{nV}/\sqrt{\text{Hz}}$
	$f = 1\text{ kHz}$		22		
$V_{N(PP)}$ Peak-to-peak equivalent input noise voltage	$f = 0.1\text{ Hz}$ to 10 Hz		0.55		μV
I_n Equivalent input noise current	$f = 10\text{ Hz}$		0.07		$\text{pA}/\sqrt{\text{Hz}}$

electrical characteristics at specified free-air temperature, $V_{CC\pm} = \pm 15\text{ V}$, $V_{IC} = 0$ (unless otherwise noted)

PARAMETER	TEST CONDITIONS	T_A †	LT1013I			LT1013AI			LT1013DI			UNIT
			MIN	TYP‡	MAX	MIN	TYP‡	MAX	MIN	TYP‡	MAX	
V_{IO} Input offset voltage	$R_S = 50\ \Omega$	25°C	60	300		40	150		200	800	μV	
		Full range		550		300		1000				
αV_{IO} Temperature coefficient of input offset voltage		Full range	0.4	2.5		0.3	2		0.7	5	$\mu\text{V}/^\circ\text{C}$	
Long-term drift of input offset voltage		25°C	0.5			0.4			0.5		$\mu\text{V}/\text{mo}$	
I_{IO} Input offset current		25°C	0.2	1.5		0.15	0.8		0.2	1.5	nA	
		Full range		2.8		1.5		2.8				
I_{IB} Input bias current		25°C	-15	-30		-12	-20		-15	-30	nA	
		Full range		-38		-25		-38				
V_{ICR} Common-mode input voltage range		25°C	-15 to 13.5	-15.3 to 13.8		-15 to 13.5	-15.3 to 13.8		-15 to 13.5	-15.3 to 13.8	V	
		Full range	-15 to 13			-15 to 13		-15 to 13				
V_{OM} Maximum peak output voltage swing	$R_L = 2\ \text{k}\Omega$	25°C	± 12.5	± 14		± 13	± 14		± 12.5	± 14	V	
		Full range	± 12			± 12.5		± 12				
A_{VD} Large-signal differential voltage amplification	$V_O = \pm 10\ \text{V}$, $R_L = 600\ \Omega$	25°C	0.5	0.2		0.8	2.5		0.5	2	$\text{V}/\mu\text{V}$	
	$V_O = \pm 10\ \text{V}$, $R_L = 2\ \text{k}\Omega$	25°C	1.2	7		1.5	8		1.2	7		
	Full range	0.7			1		0.7					
CMRR Common-mode rejection ratio	$V_{IC} = -15\ \text{V}$ to $13.5\ \text{V}$	25°C	97	114		100	117		97	114	dB	
	$V_{IC} = -14.9\ \text{V}$ to $13\ \text{V}$	Full range	94			97		94				
k_{SVR} Supply-voltage rejection ratio ($\Delta V_{CC}/\Delta V_{IO}$)	$V_{CC\pm} = \pm 2\ \text{V}$ to $\pm 18\ \text{V}$	25°C	100	117		103	120		100	117	dB	
		Full range	97			101		97				
Channel separation	$V_O = \pm 10\ \text{V}$, $R_L = 2\ \text{k}\Omega$	25°C	120	137		123	140		120	137	dB	
r_{id} Differential input resistance		25°C	70	300		100	400		70	300	$\text{M}\Omega$	
r_{ic} Common-mode input resistance		25°C		4			5			4	$\text{G}\Omega$	
I_{CC} Supply current per amplifier		25°C	0.35	0.55		0.35	0.5		0.35	0.55	mA	
		Full range		0.7			0.55			0.6		

† Full range is -40°C to 105°C .

‡ All typical values are at $T_A = 25^\circ\text{C}$.

electrical characteristics at specified free-air temperature, $V_{CC+} = 5\text{ V}$, $V_{CC-} = 0$, $V_O = 1.4\text{ V}$, $V_{IC} = 0$ (unless otherwise noted)

PARAMETER	TEST CONDITIONS	T _A †	LT1013I			LT1013AI			LT1013DI			UNIT
			MIN	TYP	MAX	MIN	TYP	MAX	MIN	TYP	MAX	
V _{IO}	Input offset voltage	R _S = 50 Ω	25°C	90	450	60	250	250	950	μV		
			Full range	570			350				1200	
I _{IO}	Input offset current		25°C	0.3	2	0.2	1.3	0.3	2	nA		
			Full range	6			3.5				6	
I _{IB}	Input bias current		25°C	-18	-50	-15	-35	-18	-50	nA		
			Full range	-90			-55				-90	
V _{ICR}	Common-mode input voltage range		25°C	0 to 3.5	-0.3 to 3.8	0 to 3.5	-0.3 to 3.8	0 to 3.5	0.3 to 3.8	V		
			Full range	0 to 3		0 to 3		0 to 3				
V _{OM}	Maximum-peak output voltage swing	Output low, No load	25°C	15	25	15	25	15	25	mV		
			25°C	5	10	5	10	5	10			
		Full range	13			13			13			
		Output low, I _{sink} = 1 mA	25°C	220	350	220	350	220	350	V		
		Output high, No load	25°C	4	4.4	4	4.4	4	4.4			
		Output high, R _L = 600 Ω to GND	25°C	3.4	4	3.4	4	3.4	4			
Full range	3.2			3.3			3.2					
A _{VD}	Large-signal differential voltage amplification	V _O = 5 mV to 4 V, R _L = 500 Ω	25°C	1			1			V/μV		
I _{CC}	Supply current per amplifier		25°C	0.32	0.5	0.31	0.45	0.32	0.5	mA		
			Full range	0.55			0.5				0.55	

† Full range is -40°C to 105°C.

operating characteristics, $V_{CC\pm} = \pm 15\text{ V}$, $V_{IC} = 0$, T_A = 25°C

PARAMETER	TEST CONDITIONS	MIN	TYP	MAX	UNIT
SR	Slew rate	0.2	0.4		V/μs
V _n	Equivalent input noise voltage	f = 10 Hz	24		nV/√Hz
		f = 1 kHz	22		
V _{N(PP)}	Peak-to-peak equivalent input noise voltage	f = 0.1 Hz to 10 Hz			μV
I _n	Equivalent input noise current	f = 10 Hz			pA/√Hz

electrical characteristics at specified free-air temperature, $V_{CC\pm} = \pm 15\text{ V}$, $V_{IC} = 0$ (unless otherwise noted)

PARAMETER	TEST CONDITIONS	T_A †	LT1013M			LT1013AM			LT1013DM			UNIT
			MIN	TYP‡	MAX	MIN	TYP‡	MAX	MIN	TYP‡	MAX	
V_{IO} Input offset voltage	$R_S = 50\ \Omega$	25°C	60	300		40	150		200	800	μV	
		Full range			550		300			1000		
αV_{IO} Temperature coefficient of input offset voltage		Full range	0.5	2.5*		0.4	2*		0.5	2.5*	$\mu\text{V}/^\circ\text{C}$	
Long-term drift of input offset voltage		25°C	0.5			0.4			0.5		$\mu\text{V}/\text{mo}$	
I_{IO} Input offset current		25°C	0.2	1.5		0.15	0.8		0.2	1.5	nA	
		Full range			5		2.5			5		
I_{IB} Input bias current		25°C	-15	-30		-12	-20		-15	-30	nA	
		Full range			-45		-30			-45		
V_{ICR} Common-mode input voltage range		25°C	-15 to 13.5	-15.3 to 13.8		-15 to 13.5	-15.3 to 13.8		-15 to 13.5	-15.3 to 13.8	V	
		Full range	-14.9 to 13			-14.9 to 13			-14.9 to 13			
V_{OM} Maximum peak output voltage swing	$R_L = 2\ \text{k}\Omega$	25°C	± 12.5	± 14		± 13	± 14		± 12.5	± 14	V	
		Full range	± 11.5			± 12			± 11.5			
A_{VD} Large-signal differential voltage amplification	$V_O = \pm 10\ \text{V}$, $R_L = 600\ \Omega$	25°C	0.5	2		0.8	2.5		0.5	2	$\text{V}/\mu\text{V}$	
		25°C	1.2	7		1.5	8		1.2	7		
		Full range	0.25			0.5			0.25			
CMRR Common-mode rejection ratio	$V_{IC} = -15\ \text{V}$ to $13.5\ \text{V}$	25°C	97	117		100	117		97	114	dB	
		Full range	94			97			94			
k_{SVR} Supply-voltage rejection ratio ($\Delta V_{CC}/\Delta V_{IO}$)	$V_{CC\pm} = \pm 2\ \text{V}$ to $\pm 18\ \text{V}$	25°C	100	117		103	120		100	117	dB	
		Full range	97			100			97			
Channel separation	$V_O = \pm 10\ \text{V}$, $R_L = 2\ \text{k}\Omega$	25°C	120	137		123	140		120	137	dB	
r_{id} Differential input resistance		25°C	70	300		100	400		70	300	$\text{M}\Omega$	
r_{ic} Common-mode input resistance		25°C		4			5			4	$\text{G}\Omega$	
I_{CC} Supply current per amplifier		25°C	0.35	0.55		0.35	0.5		0.35	0.55	mA	
		Full range			0.7		0.6			0.7		

* On products compliant to MIL-PRF-38535, Class B, this parameter is not production tested.

† Full range is -55°C to 125°C .

‡ All typical values are at $T_A = 25^\circ\text{C}$.

electrical characteristics at specified free-air temperature, $V_{CC+} = 5\text{ V}$, $V_{CC-} = 0$, $V_O = 1.4\text{ V}$, $V_{IC} = 0$ (unless otherwise noted)

PARAMETER	TEST CONDITIONS	T_A †	LT1013M			LT1013AM			LT1013DM			UNIT
			MIN	TYP	MAX	MIN	TYP	MAX	MIN	TYP	MAX	
V_{IO} Input offset voltage	$R_S = 50\ \Omega$	25°C		90	450		60	250		250	950	μV
		Full range		400	1500		250	900		800	2000	
	$R_S = 50\ \Omega$, $V_{IC} = 0.1\text{ V}$	125°C		200	750		120	450		560	1200	
I_{IO} Input offset current		25°C		0.3	2		0.2	1.3		0.3	2	nA
		Full range			10			6			10	
I_{IB} Input bias current		25°C		-18	-50		-15	-35		-18	-50	nA
		Full range			-120			-80			-120	
V_{ICR} Common-mode input voltage range		25°C	0 to 3.5	-0.3 to 3.8		0 to 3.5	-0.3 to 3.8		0 to 3.5	-0.3 to 3.8	V	
		Full range	0 to 3			0 to 3			0 to 3			
V_{OM} Maximum-peak output voltage swing	Output low, No load	25°C		15	25		15	25		15	25	mV
	Output low, $R_L = 600\ \Omega$ to GND	25°C		5	10		5	10		5	10	
		Full range			18			15			18	
	Output low, $I_{sink} = 1\text{ mA}$	25°C		220	350		220	350		220	350	$\text{V}/\mu\text{V}$
	Output high, No load	25°C		4	4.4		4	4.4		4	4.4	
	Output high, $R_L = 600\ \Omega$ to GND	25°C		3.4	4		3.4	4		3.4	4	
Full range				3.1			3.2			3.1		
A_{VD} Large-signal differential voltage amplification	$V_O = 5\text{ mV}$ to 4 V , $R_L = 500\ \Omega$	25°C		1			1			1	mA	
I_{CC} Supply current per amplifier		25°C		0.32	0.5		0.31	0.45		0.32		0.5
		Full range			0.65			0.55			0.65	

† Full range is -55°C to 125°C.

operating characteristics, $V_{CC\pm} = \pm 15\text{ V}$, $V_{IC} = 0$, $T_A = 25^\circ\text{C}$

PARAMETER	TEST CONDITIONS	MIN	TYP	MAX	UNIT
SR Slew rate		0.2	0.4		$\text{V}/\mu\text{s}$
V_n Equivalent input noise voltage	$f = 10\text{ Hz}$		24		$\text{nV}/\sqrt{\text{Hz}}$
	$f = 1\text{ kHz}$		22		
$V_{N(PP)}$ Peak-to-peak equivalent input noise voltage	$f = 0.1\text{ Hz}$ to 10 Hz		0.55		μV
I_n Equivalent input noise current	$f = 10\text{ Hz}$		0.07		$\text{pA}/\sqrt{\text{Hz}}$

LT1013, LT1013A, LT1013D, LT1013Y DUAL PRECISION OPERATIONAL AMPLIFIERS

SLOS018B – MAY 1988 – REVISED OCTOBER 1996

electrical characteristics at $V_{CC+} = 5\text{ V}$, $V_{CC-} = 0$, $V_O = 1.4\text{ V}$, $V_{IC} = 0$, $T_A = 25^\circ\text{C}$ (unless otherwise noted)

PARAMETER	TEST CONDITIONS	LT1013Y			UNIT
		MIN	TYP	MAX	
V_{IO} Input offset voltage	$R_S = 50\ \Omega$		250	950	μV
I_{IO} Input offset current			0.3	2	nA
I_{IB} Input bias current			-18	-50	nA
V_{ICR} Common-mode input voltage range		0 to 3.5	0.3 to 3.8		V
V_{OM} Maximum peak output voltage swing	Output low, No load		15	25	mV
	Output low, $R_L = 600\ \Omega$ to GND		5	10	
	Output low, $I_{\text{sink}} = 1\text{ mA}$		220	350	
	Output high, No load		4	4.4	V
	Output high, $R_L = 600\ \Omega$ to GND		3.4	4	
A_{VD} Large-signal differential voltage amplification	$V_O = 5\text{ mV to }4\text{ V}$, $R_L = 500\ \Omega$		1		$\text{V}/\mu\text{V}$
I_{CC} Supply current per amplifier			0.32	0.5	mA

electrical characteristics at $V_{CC+} = \pm 15\text{ V}$, $V_{IC} = 0$, $T_A = 25^\circ\text{C}$ (unless otherwise noted)

PARAMETER	TEST CONDITIONS	LT1013Y			UNIT
		MIN	TYP	MAX	
V_{IO} Input offset voltage	$R_S = 50\ \Omega$		200	800	μV
Long-term drift of input offset voltage			0.5		$\mu\text{V}/\text{mo}$
I_{IO} Input offset current			0.2	1.5	nA
I_{IB} Input bias current			-15	-30	nA
V_{ICR} Common-mode input voltage range		-15 to 13.5	-15.3 to 13.8		V
V_{OM} Maximum peak output voltage swing	$R_L = 2\text{ k}\Omega$	± 12.5	± 14		V
A_{VD} Large-signal differential voltage amplification	$V_O = \pm 10\text{ V}$, $R_L = 600\ \Omega$ $R_L = 2\ \Omega$		0.5	2	$\text{V}/\mu\text{V}$
			1.2	7	dB
CMRR Common-mode rejection ratio	$V_{IC} = -15\text{ V to }13.5\text{ V}$	97	114		
k_{SVR} Supply-voltage rejection ratio ($\Delta V_{CC} / \Delta V_{IO}$)	$V_{CC\pm} = \pm 2\text{ V to } \pm 18\text{ V}$	100	117		dB
Channel separation	$V_O = \pm 10\text{ V}$, $R_L = 2\ \Omega$	120	137		dB
r_{id} Differential input resistance		70	300		$\text{M}\Omega$
r_{ic} Common-mode input resistance			4		$\text{G}\Omega$
I_{CC} Supply current per amplifier			0.35	0.55	mA

operating characteristics, $V_{CC\pm} = \pm 15\text{ V}$, $V_{IC} = 0$, $T_A = 25^\circ\text{C}$

PARAMETER	TEST CONDITIONS	LT1013Y			UNIT
		MIN	TYP	MAX	
SR Slew rate		0.2	0.4		$\text{V}/\mu\text{s}$
V_n Equivalent input noise voltage	$f = 10\text{ Hz}$		24		$\text{nV}/\sqrt{\text{Hz}}$
	$f = 1\text{ kHz}$		22		
$V_{N(PP)}$ Peak-to-peak equivalent input noise voltage	$f = 0.1\text{ Hz to }10\text{ Hz}$		0.55		μV
I_n Equivalent input noise current	$f = 10\text{ Hz}$		0.07		$\text{pA}/\sqrt{\text{Hz}}$



LT1013, LT1013A, LT1013D, LT1013Y DUAL PRECISION OPERATIONAL AMPLIFIERS

SLOS018B – MAY 1988 – REVISED OCTOBER 1996

TYPICAL CHARACTERISTICS

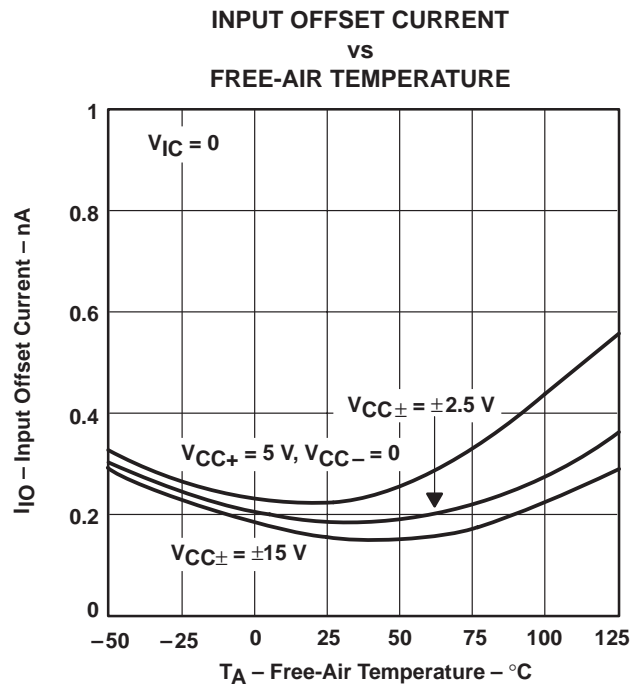
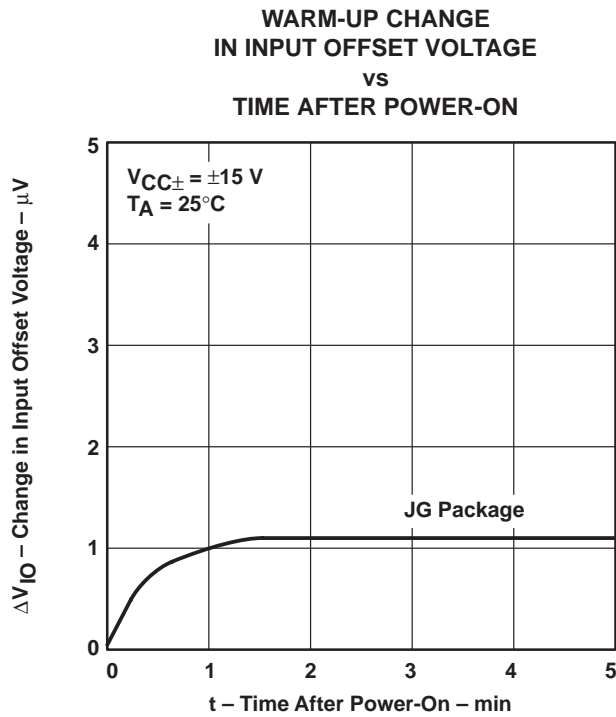
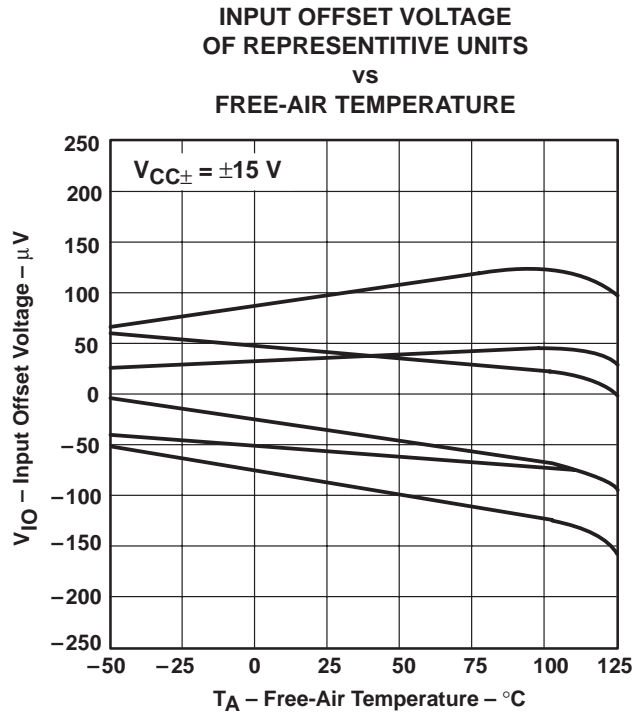
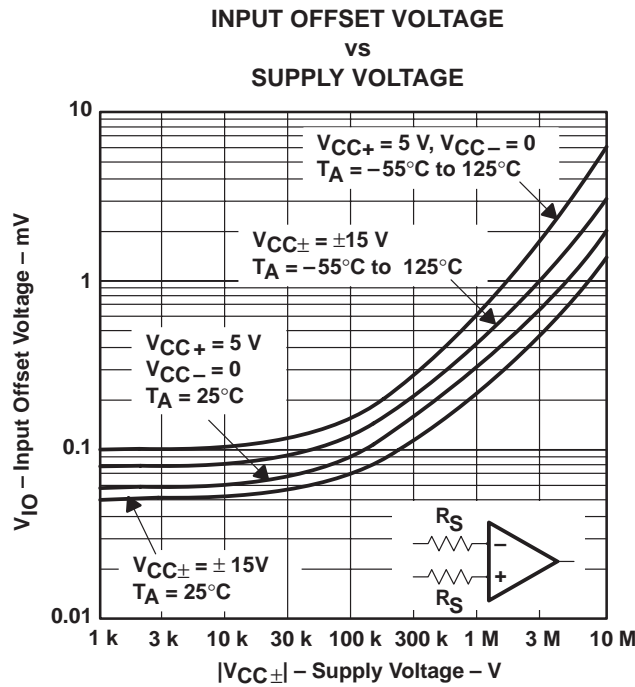
Table of Graphs

			FIGURE
V_{IO}	Input offset voltage	vs Source resistance	1
		vs Temperature	2
ΔV_{IO}	Change in input offset voltage	vs Time	3
I_{IO}	Input offset current	vs Temperature	4
I_{IB}	Input bias current	vs Temperature	5
V_{IC}	Common-mode input voltage	vs Input bias current	6
A_{VD}	Differential voltage amplification	vs Load resistance	7, 8
		vs Frequency	9, 10
	Channel separation	vs Frequency	11
	Output saturation voltage	vs Temperature	12
CMRR	Common-mode rejection ratio	vs Frequency	13
k_{SVR}	Supply voltage rejection ratio	vs Frequency	14
I_{CC}	Supply current	vs Temperature	15
I_{OS}	Short-circuit output current	vs Time	16
V_n	Equivalent input noise voltage	vs Frequency	17
I_n	Equivalent input noise current	vs Frequency	17
$V_{n(PP)}$	Peak-to-peak input noise voltage	vs Time	18
	Pulse response	Small signal Large signal	19, 21 20, 22, 23
	Phase shift	vs Frequency	9



POST OFFICE BOX 655303 • DALLAS, TEXAS 75265

TYPICAL CHARACTERISTICS†

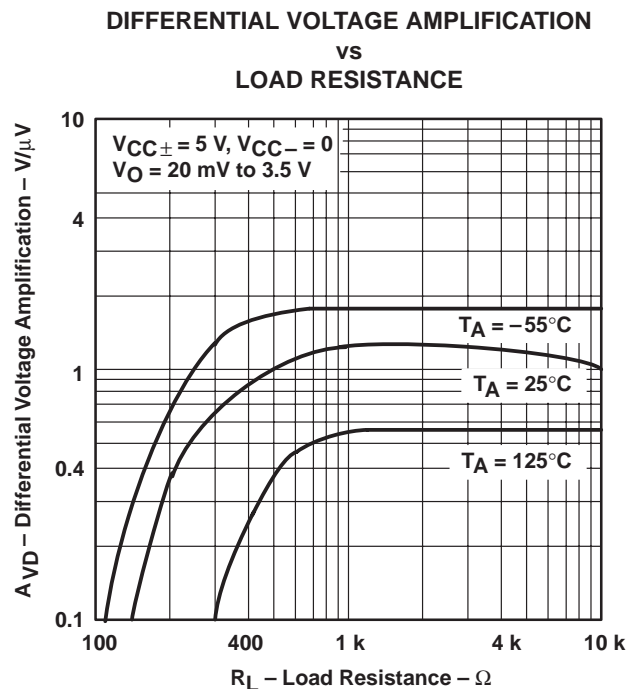
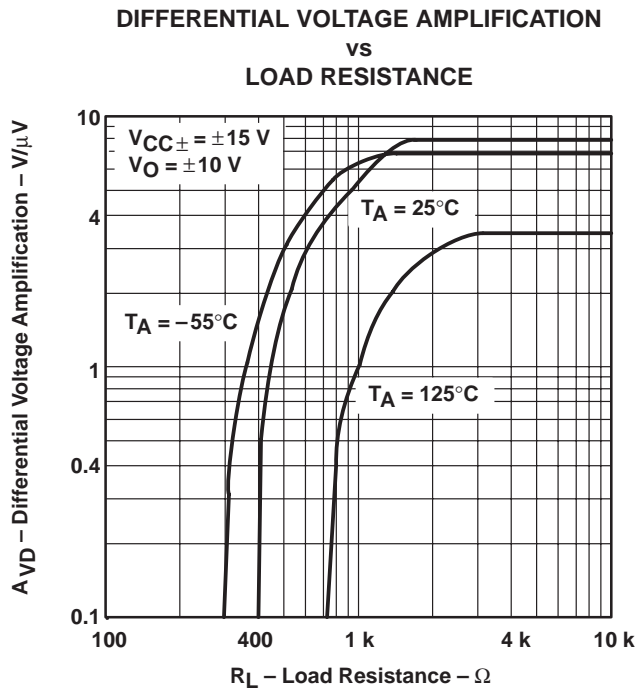
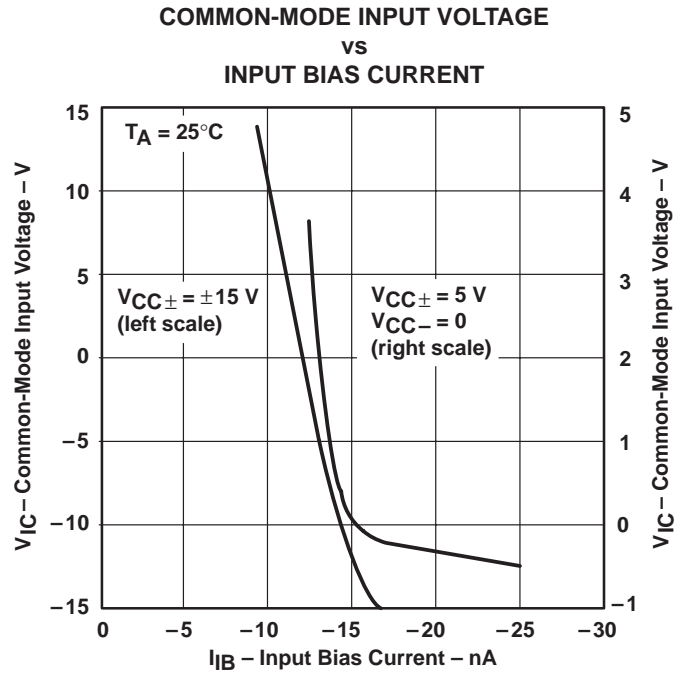
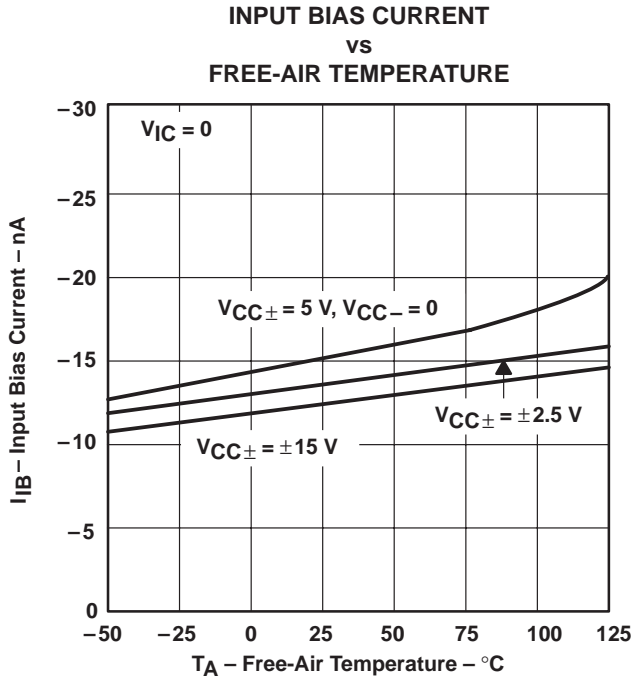


† Data at high and low temperatures are applicable only within the rated operating free-air temperature ranges of the various devices.

LT1013, LT1013A, LT1013D, LT1013Y DUAL PRECISION OPERATIONAL AMPLIFIERS

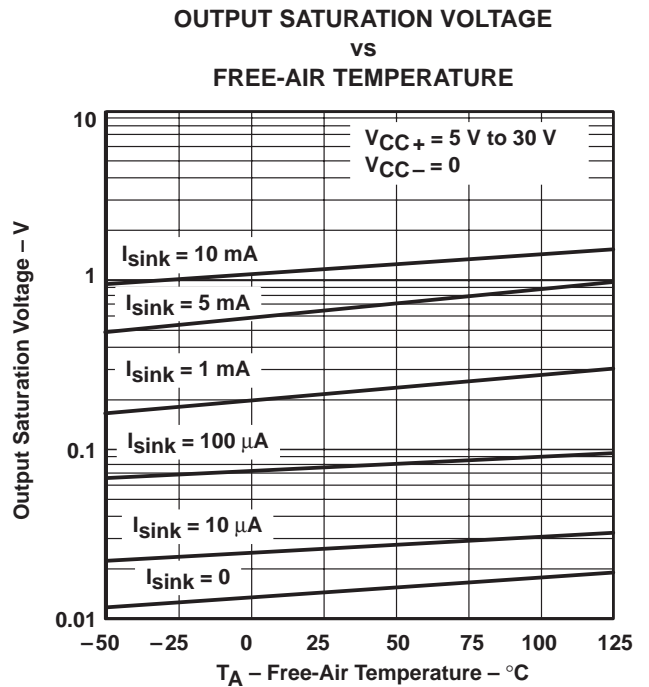
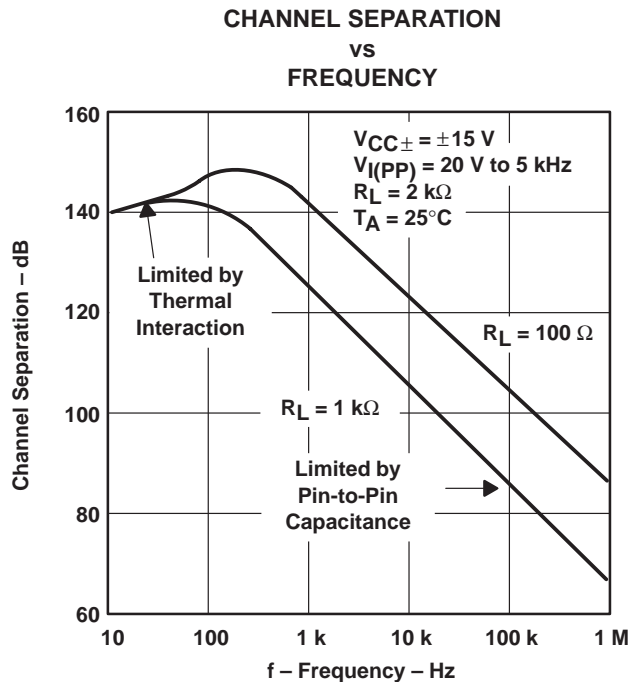
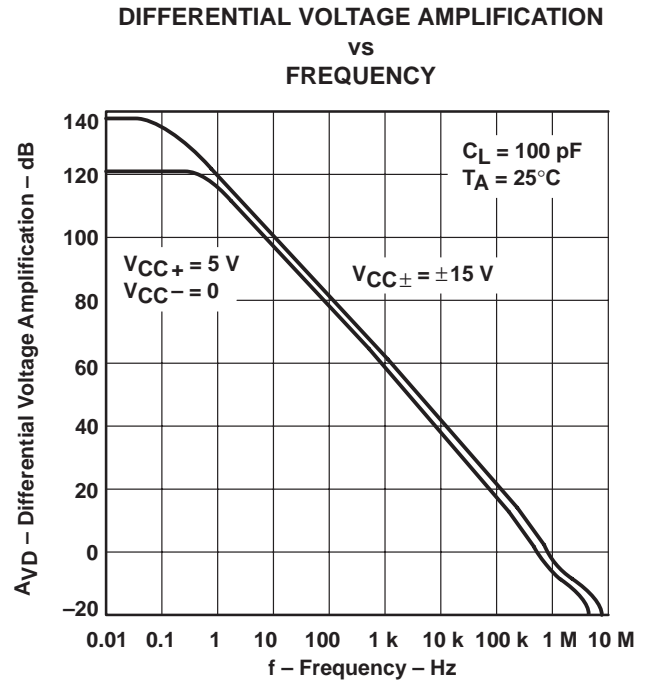
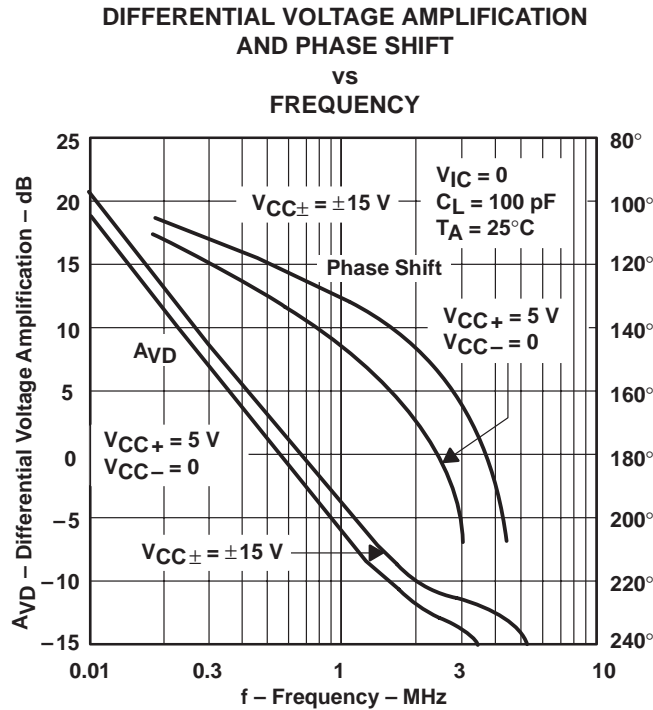
SLOS018B – MAY 1988 – REVISED OCTOBER 1996

TYPICAL CHARACTERISTICS†



† Data at high and low temperatures are applicable only within the rated operating free-air temperature ranges of the various devices.

TYPICAL CHARACTERISTICS†

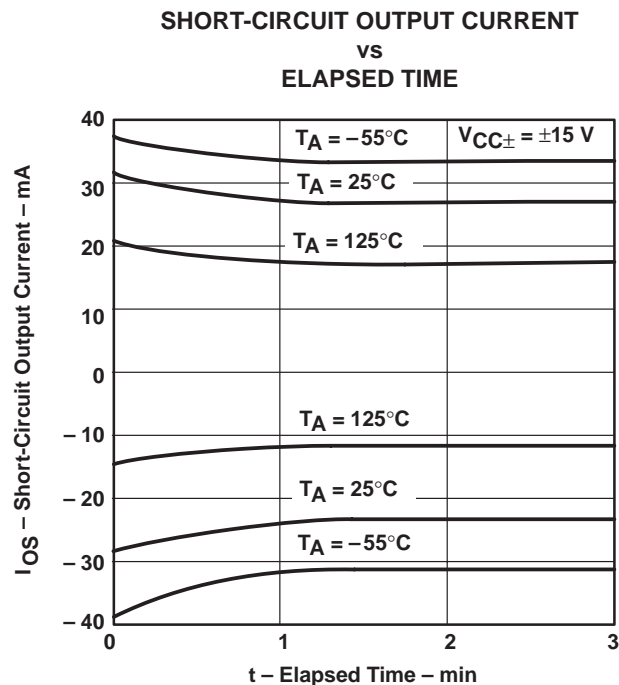
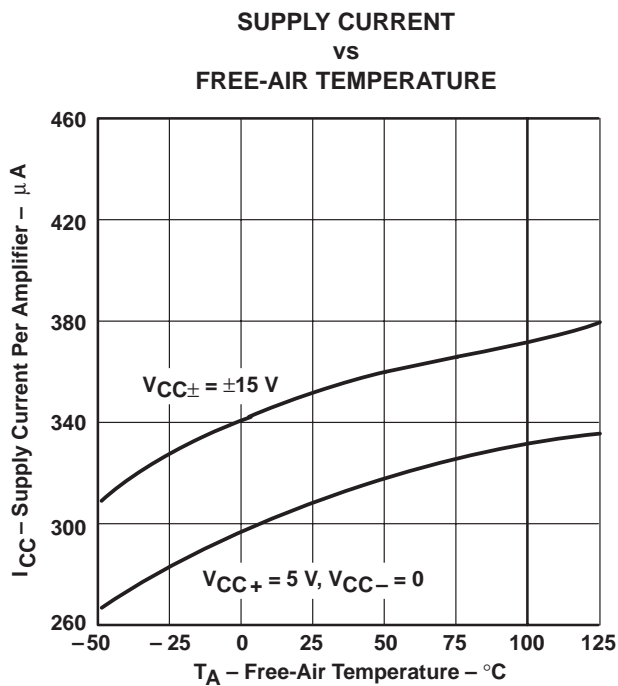
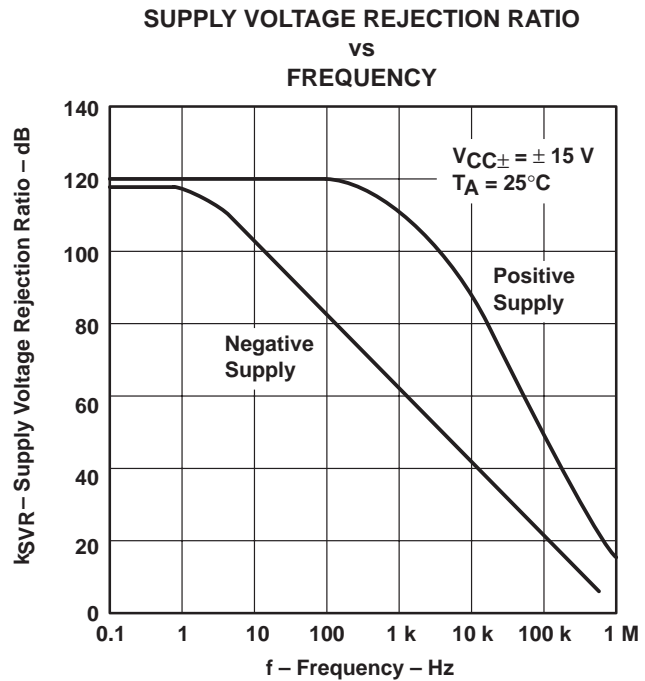
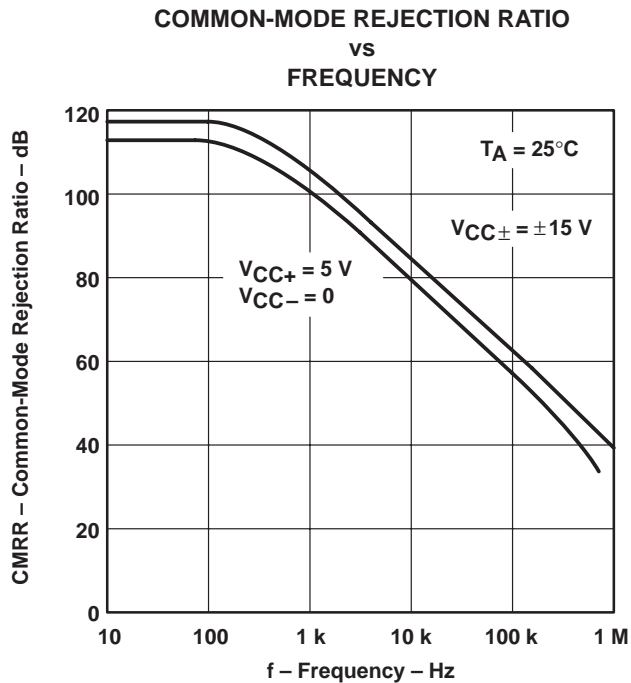


† Data at high and low temperatures are applicable only within the rated operating free-air temperature ranges of the various devices.

LT1013, LT1013A, LT1013D, LT1013Y DUAL PRECISION OPERATIONAL AMPLIFIERS

SLOS018B – MAY 1988 – REVISED OCTOBER 1996

TYPICAL CHARACTERISTICS†



† Data at high and low temperatures are applicable only within the rated operating free-air temperature ranges of the various devices.

TYPICAL CHARACTERISTICS

EQUIVALENT INPUT NOISE VOLTAGE
 AND EQUIVALENT INPUT NOISE CURRENT
 vs
 FREQUENCY

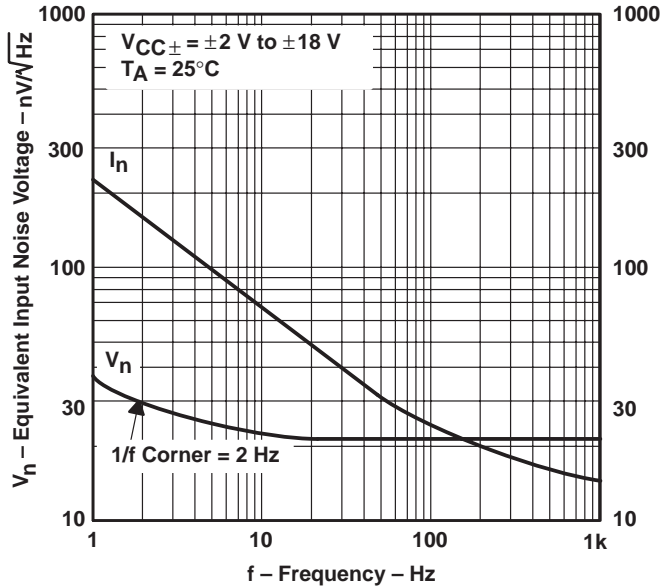


Figure 17

PEAK-TO-PEAK INPUT NOISE VOLTAGE
 OVER A
 10-SECOND PERIOD

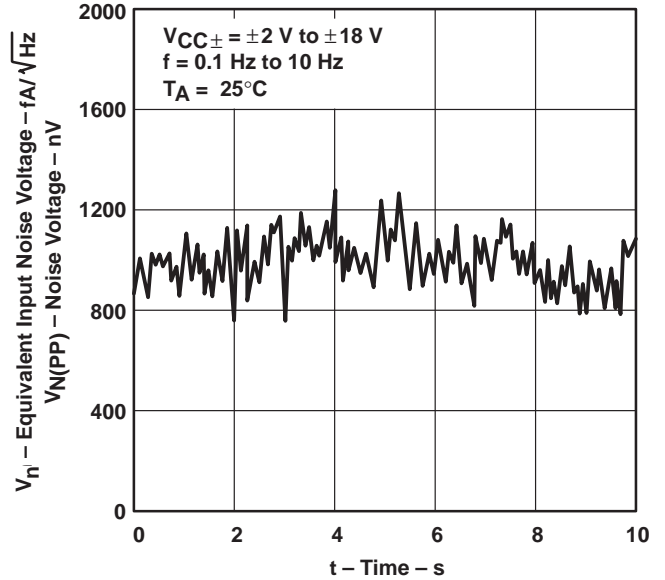


Figure 18

VOLTAGE-FOLLOWER
 SMALL-SIGNAL
 PULSE RESPONSE

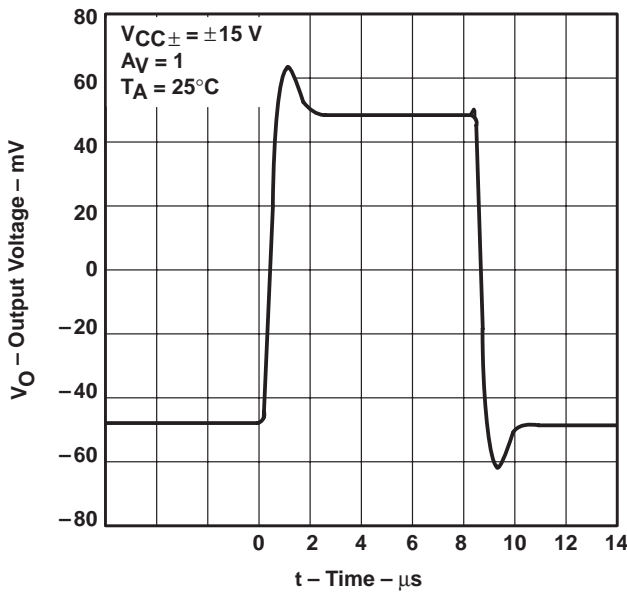


Figure 19

VOLTAGE-FOLLOWER
 LARGE-SIGNAL
 PULSE-RESPONSE

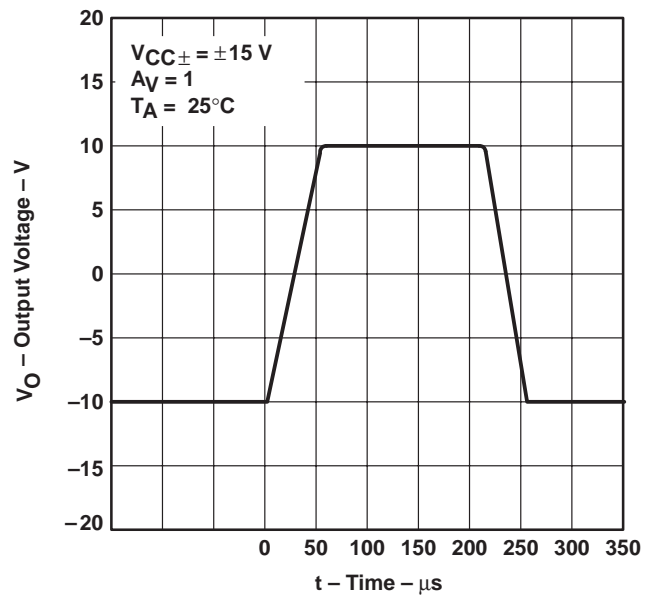


Figure 20

LT1013, LT1013A, LT1013D, LT1013Y DUAL PRECISION OPERATIONAL AMPLIFIERS

SLOS018B – MAY 1988 – REVISED OCTOBER 1996

TYPICAL CHARACTERISTICS

VOLTAGE-FOLLOWER
SMALL-SIGNAL
PULSE RESPONSE

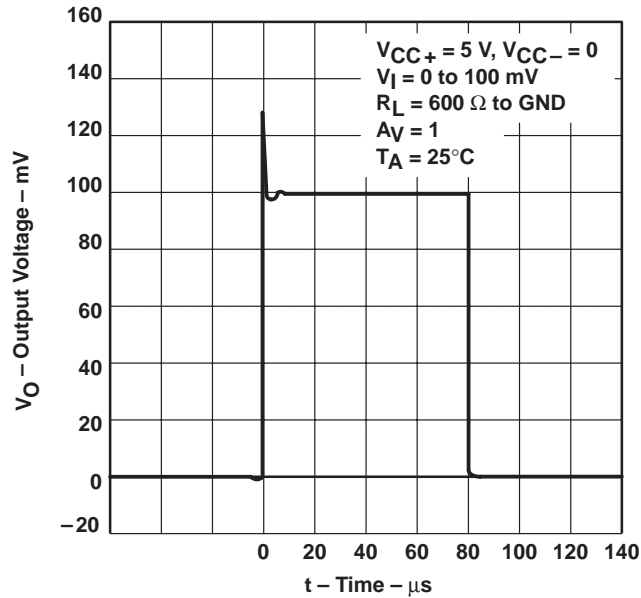


Figure 21

VOLTAGE-FOLLOWER
LARGE-SIGNAL
PULSE RESPONSE

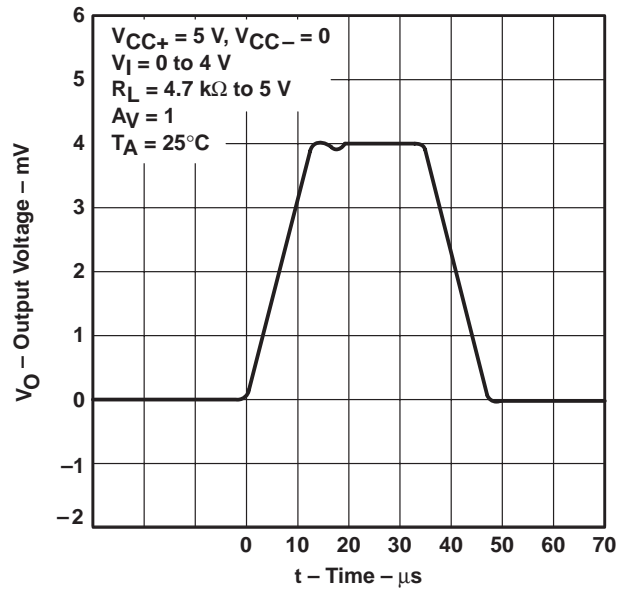


Figure 22

VOLTAGE-FOLLOWER
LARGE-SIGNAL
PULSE RESPONSE

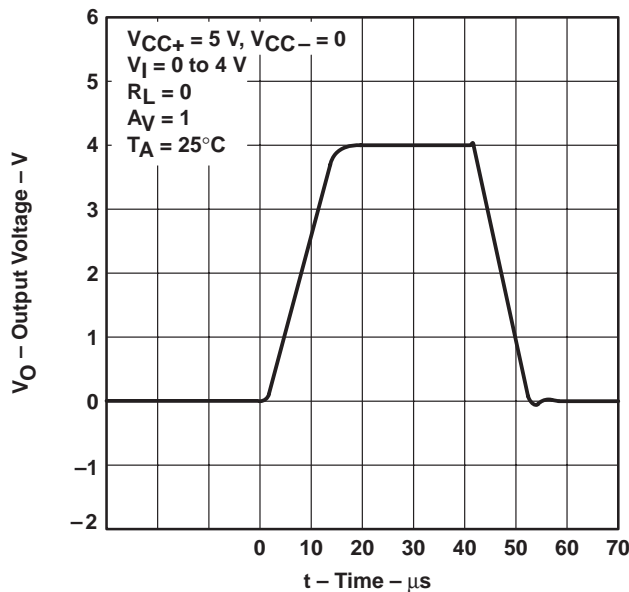


Figure 23

APPLICATION INFORMATION

single-supply operation

The LT1013 is fully specified for single-supply operation ($V_{CC-} = 0$). The common-mode input voltage range includes ground, and the output swings to within a few millivolts of ground.

Furthermore, the LT1013 has specific circuitry that addresses the difficulties of single-supply operation, both at the input and at the output. At the input, the driving signal can fall below 0 V, either inadvertently or on a transient basis. If the input is more than a few hundred millivolts below ground, the LT1013 is designed to deal with the following two problems that can occur:

1. On many other operational amplifiers, when the input is more than a diode drop below ground, unlimited current will flow from the substrate (V_{CC-} terminal) to the input, which can destroy the unit. On the LT1013, the 400- Ω resistors in series with the input (see schematic) protect the device even when the input is 5 V below ground.
2. When the input is more than 400 mV below ground (at $T_A = 25^\circ\text{C}$), the input stage of similar type operational amplifiers saturates and phase reversal occurs at the output. This can cause lock up in servo systems. Because of a unique phase-reversal protection circuitry (Q21, Q22, Q27, and Q28), the LT1013 outputs do not reverse, even when the inputs are at -1.5 V (see Figure 24).

This phase-reversal protection circuitry does not function when the other operational amplifier on the LT1013 is driven hard into negative saturation at the output. Phase-reversal protection does not work on amplifier 1 when 2's output is in negative saturation or on amplifier 2 when 1's output is in negative saturation.

At the output, other single-supply designs either cannot swing to within 600 mV of ground or cannot sink more than a few microamperes while swinging to ground. The all-NPN output stage of the LT1013 maintains its low output resistance and high gain characteristics until the output is saturated. In dual-supply operations, the output stage is free of crossover distortion.

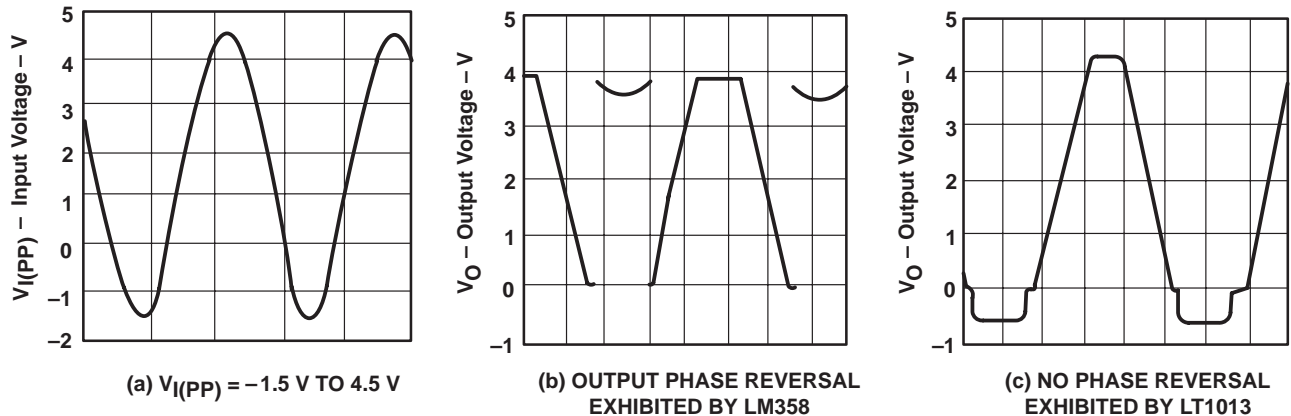


Figure 24. Voltage-Follower Response With Input Exceeding the Negative Common-Mode Input Voltage Range

LT1013, LT1013A, LT1013D, LT1013Y DUAL PRECISION OPERATIONAL AMPLIFIERS

SLOS018B – MAY 1988 – REVISED OCTOBER 1996

APPLICATION INFORMATION

comparator applications

The single-supply operation of the LT1013 lends itself for use as a precision comparator with TTL-compatible output. In systems using both operational amplifiers and comparators, the LT1013 can perform multiple duties. Refer to Figures 25 and 26.

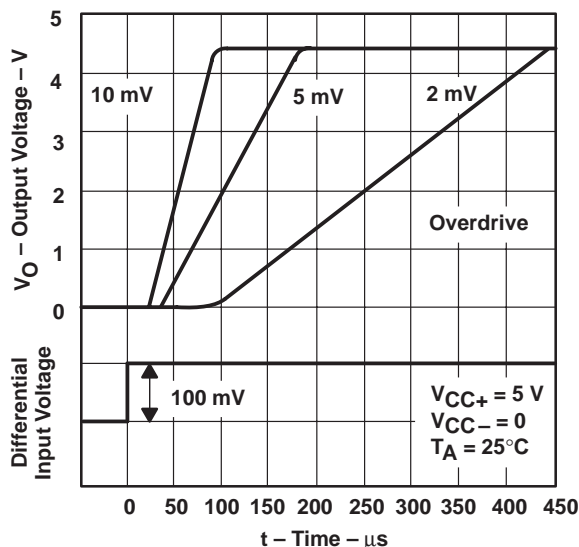


Figure 25. Low-to-High-Level Output Response for Various Input Overdrives

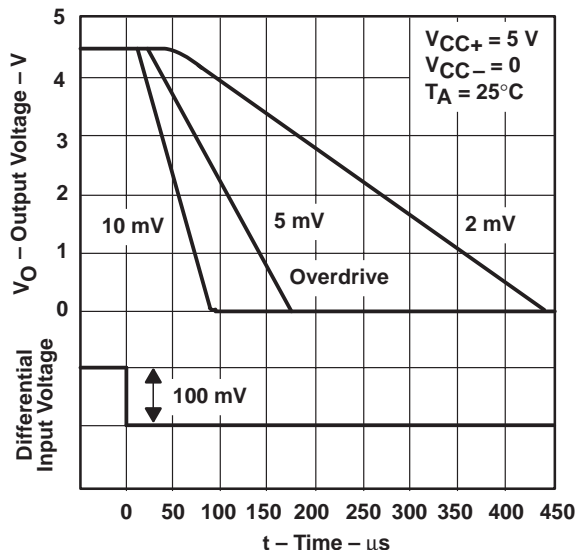


Figure 26. High-to-Low-Level Output Response for Various Input Overdrives

low-supply operation

The minimum supply voltage for proper operation of the LT1013 is 3.4 V (three Ni-Cad batteries). Typical supply current at this voltage is 290 μ A; therefore, power dissipation is only 1 mW per amplifier.

offset voltage and noise testing

The test circuit for measuring input offset voltage and its temperature coefficient is shown in Figure 30. This circuit with supply voltages increased to ± 20 V is also used as the burn-in configuration.

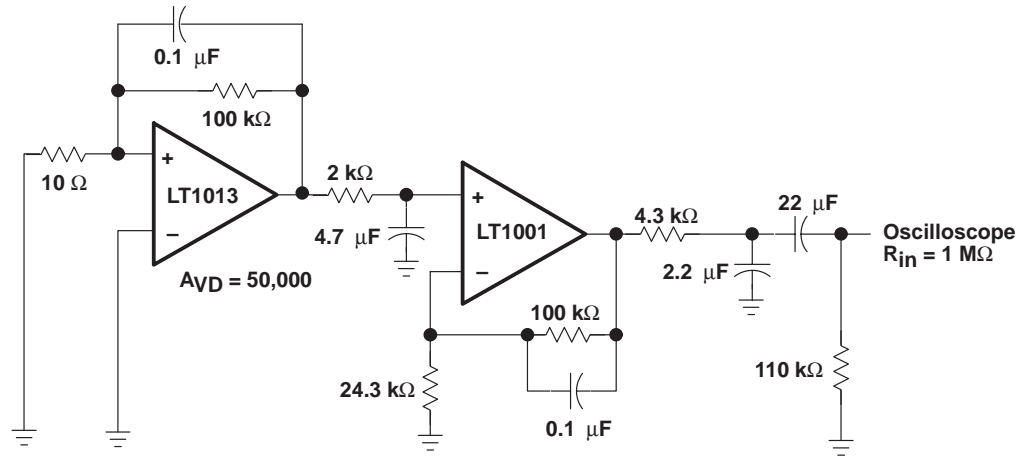
The peak-to-peak equivalent input noise voltage of the LT1013 is measured using the test circuit shown in Figure 27. The frequency response of the noise tester indicates that the 0.1-Hz corner is defined by only one zero. The test time to measure 0.1-Hz to 10-Hz noise should not exceed 10 seconds, as this time limit acts as an additional zero to eliminate noise contribution from the frequency band below 0.1 Hz.

An input noise voltage test is recommended when measuring the noise of a large number of units. A 10-Hz input noise voltage measurement correlates well with a 0.1-Hz peak-to-peak noise reading because both results are determined by the white noise and the location of the 1/f corner frequency.

Current noise is measured by the circuit and formula shown in Figure 28. The noise of the source resistors is subtracted.

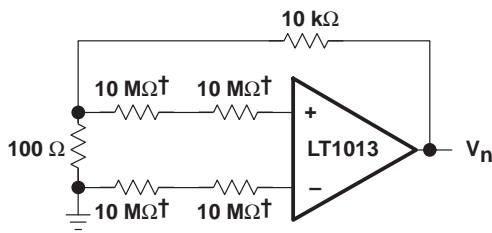
APPLICATION INFORMATION

offset voltage and noise testing (continued)



NOTE A: All capacitor values are for nonpolarized capacitors only.

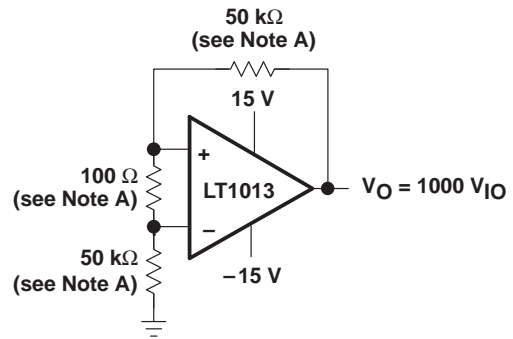
Figure 27. 0.1-Hz to 10-Hz Peak-to-Peak Noise Test Circuit



$$I_n = \frac{[V_{no2} - (820 \text{ nV})^2]^{1/2}}{40 \text{ M}\Omega 100}$$

† Metal-film resistor

Figure 28. Noise-Current Test Circuit and Formula



NOTE A: Resistors must have low thermoelectric potential.

Figure 29. Test Circuit for V_{IO} and αV_{IO}

LT1013, LT1013A, LT1013D, LT1013Y DUAL PRECISION OPERATIONAL AMPLIFIERS

SLOS018B – MAY 1988 – REVISED OCTOBER 1996

APPLICATION INFORMATION

typical applications

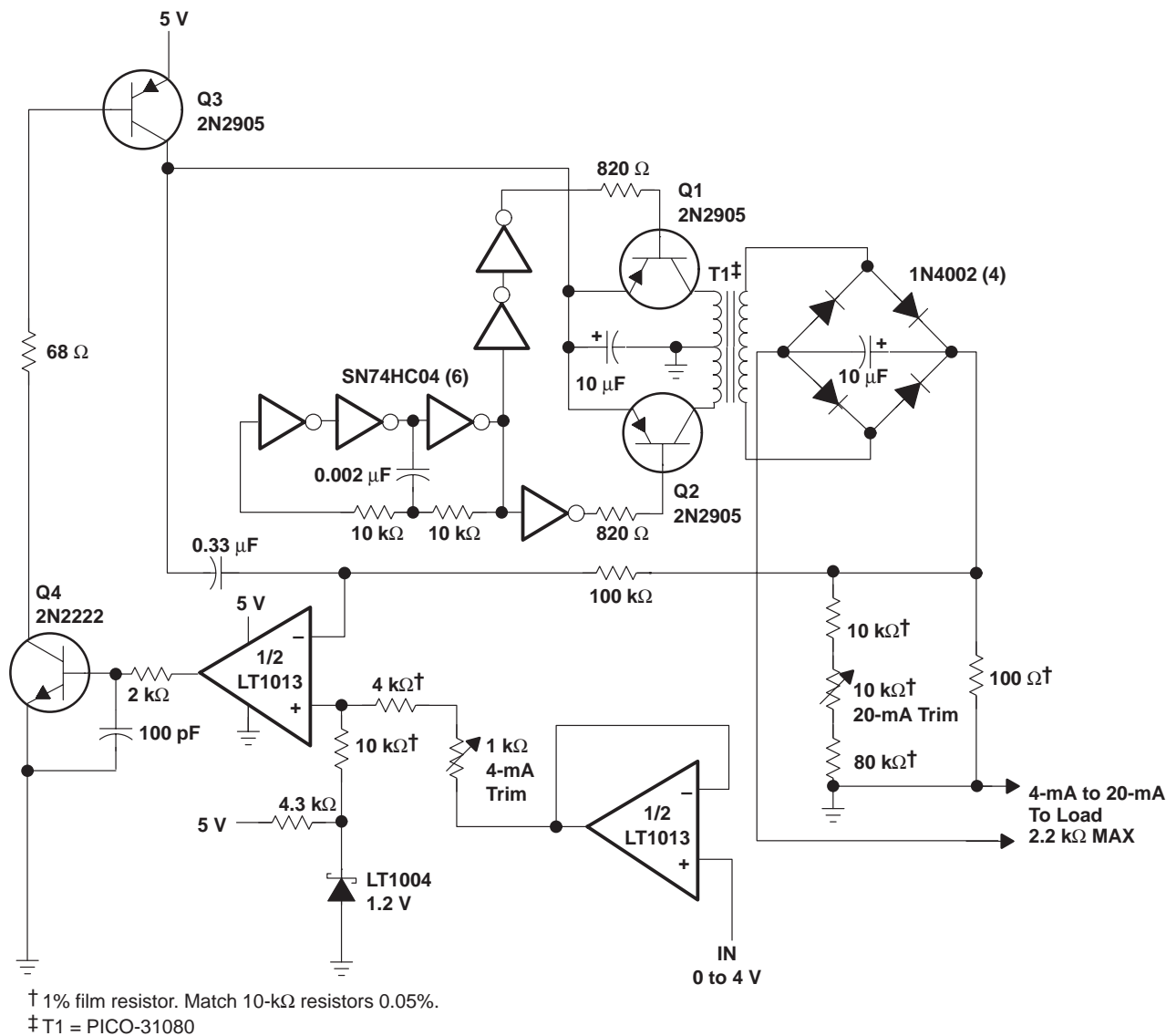
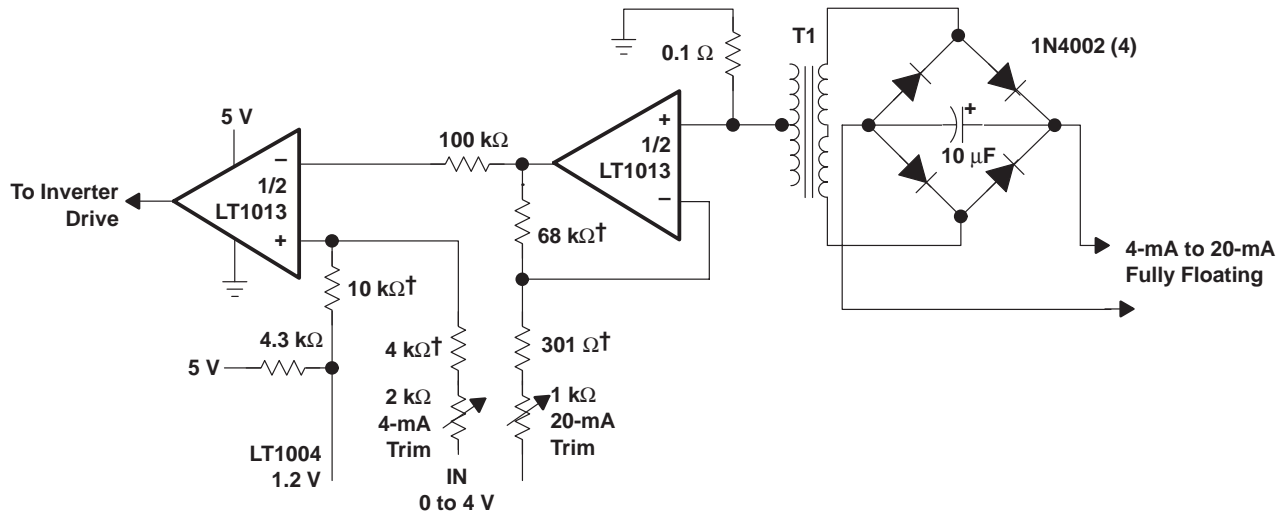


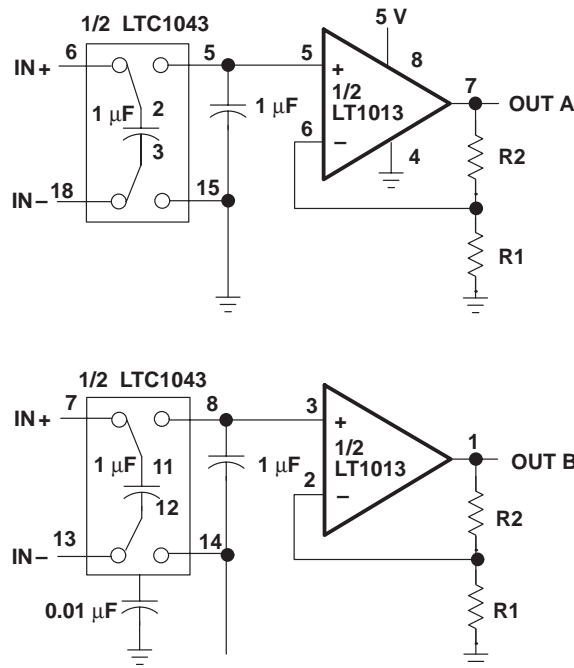
Figure 30. 5-V 4-mA – 20-mA Current Loop Transmitter With 12-Bit Accuracy

APPLICATION INFORMATION



† 1% film resistor

Figure 31. Fully Floating Modification to 4-mA – 20-mA Current Loop Transmitter With 8-Bit Accuracy



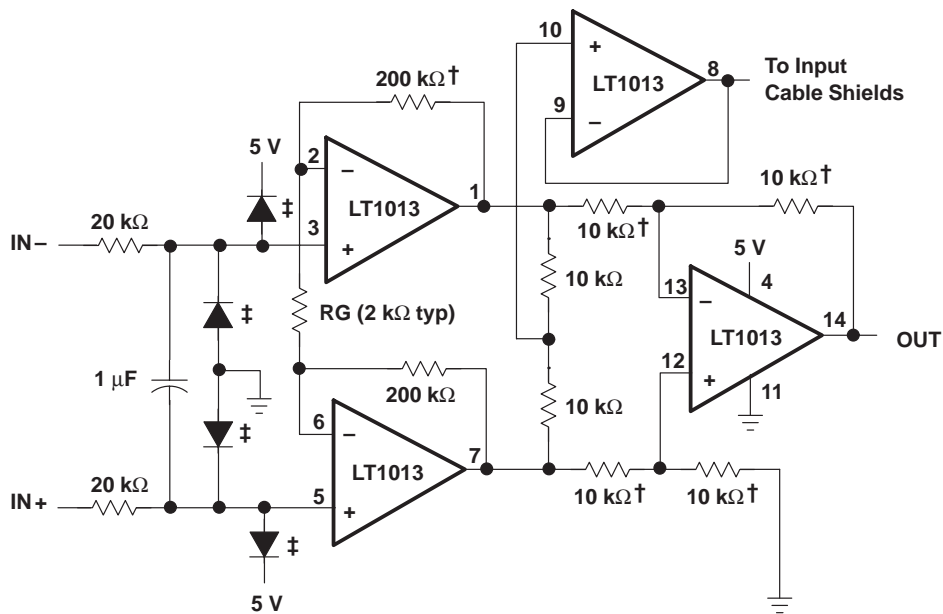
NOTE A: $V_{IO} = 150 \mu\text{V}$, $A_{VD} = (R1/R2) + 1$, $\text{CMRR} = 120 \text{ dB}$, $V_{ICR} = 0 \text{ to } 5 \text{ V}$

Figure 32. 5-V Single-Supply Dual Instrumentation Amplifier

LT1013, LT1013A, LT1013D, LT1013Y DUAL PRECISION OPERATIONAL AMPLIFIERS

SLOS018B – MAY 1988 – REVISED OCTOBER 1996

APPLICATION INFORMATION



† 1% film resistor. Match 10-kΩ resistors 0.05%.
 ‡ For high source impedances, use 2N2222 as diodes.
 NOTE A: $A_{VD} = (400,000/RG) + 1$

Figure 33. 5-V Precision Instrumentation Amplifier

IMPORTANT NOTICE

Texas Instruments and its subsidiaries (TI) reserve the right to make changes to their products or to discontinue any product or service without notice, and advise customers to obtain the latest version of relevant information to verify, before placing orders, that information being relied on is current and complete. All products are sold subject to the terms and conditions of sale supplied at the time of order acknowledgement, including those pertaining to warranty, patent infringement, and limitation of liability.

TI warrants performance of its semiconductor products to the specifications applicable at the time of sale in accordance with TI's standard warranty. Testing and other quality control techniques are utilized to the extent TI deems necessary to support this warranty. Specific testing of all parameters of each device is not necessarily performed, except those mandated by government requirements.

CERTAIN APPLICATIONS USING SEMICONDUCTOR PRODUCTS MAY INVOLVE POTENTIAL RISKS OF DEATH, PERSONAL INJURY, OR SEVERE PROPERTY OR ENVIRONMENTAL DAMAGE ("CRITICAL APPLICATIONS"). TI SEMICONDUCTOR PRODUCTS ARE NOT DESIGNED, AUTHORIZED, OR WARRANTED TO BE SUITABLE FOR USE IN LIFE-SUPPORT DEVICES OR SYSTEMS OR OTHER CRITICAL APPLICATIONS. INCLUSION OF TI PRODUCTS IN SUCH APPLICATIONS IS UNDERSTOOD TO BE FULLY AT THE CUSTOMER'S RISK.

In order to minimize risks associated with the customer's applications, adequate design and operating safeguards must be provided by the customer to minimize inherent or procedural hazards.

TI assumes no liability for applications assistance or customer product design. TI does not warrant or represent that any license, either express or implied, is granted under any patent right, copyright, mask work right, or other intellectual property right of TI covering or relating to any combination, machine, or process in which such semiconductor products or services might be or are used. TI's publication of information regarding any third party's products or services does not constitute TI's approval, warranty or endorsement thereof.