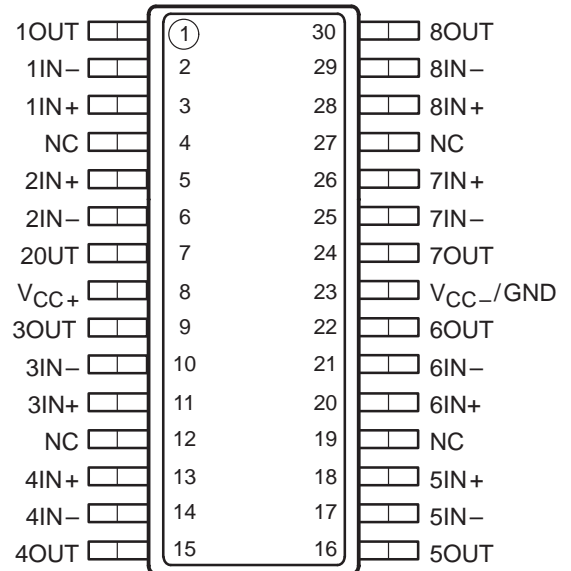


LM324x2 OCTAL OPERATIONAL AMPLIFIER

SLOS133A – APRIL 1994 – REVISED AUGUST 1996

- **Wide Range of Supply Voltages:**
Single Supply . . . 3 V to 30 V
or Dual Supplies
- **Low Supply-Current Drain Independent of Supply Voltage** . . . 1.4 mA Typ
- **Common-Mode Input Voltage Range Includes Ground** Allowing Direct Sensing Near Ground
- **Low Input Bias and Offset Parameters:**
Input Offset Voltage . . . 3 mV Typ
Input Offset Current . . . 2 nA Typ
Input Bias Current . . . –20 nA Typ
- **Differential Input Voltage Range Equal to Maximum-Rated Supply Voltage** . . . 32 V
- **Open-Loop Differential Voltage Amplification** . . . 100 V/mV Typ
- **Internal Frequency Compensation**

**DB PACKAGE
(TOP VIEW)**



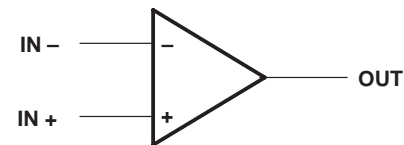
NC – No internal connection

description

The LM324x2 device consists of eight independent, high-gain frequency-compensated operational amplifiers that are designed specifically to operate from a single supply over a wide range of voltages. Operation from split supplies is also possible when the difference between the two supplies is 3 V to 30 V and V_{CC} is at least 1.5 V more positive than the input common-mode voltage. The low supply-current drain is independent of the magnitude of the supply voltage.

Applications include transducer amplifiers, dc amplification blocks, and all the conventional operational-amplifier circuits that now can be more easily implemented in single-supply-voltage systems.

symbol (each amplifier)



AVAILABLE OPTION

T _A	V _{IOMAX} AT 25°C	PACKAGE
		SMALL OUTLINE (DB)†
0°C to 70°C	7 mV	LM324x2DBLE

† The DB package is only available left-end taped and reeled.



Please be aware that an important notice concerning availability, standard warranty, and use in critical applications of Texas Instruments semiconductor products and disclaimers thereto appears at the end of this data sheet.

PRODUCTION DATA information is current as of publication date. Products conform to specifications per the terms of Texas Instruments standard warranty. Production processing does not necessarily include testing of all parameters.

**TEXAS
INSTRUMENTS**

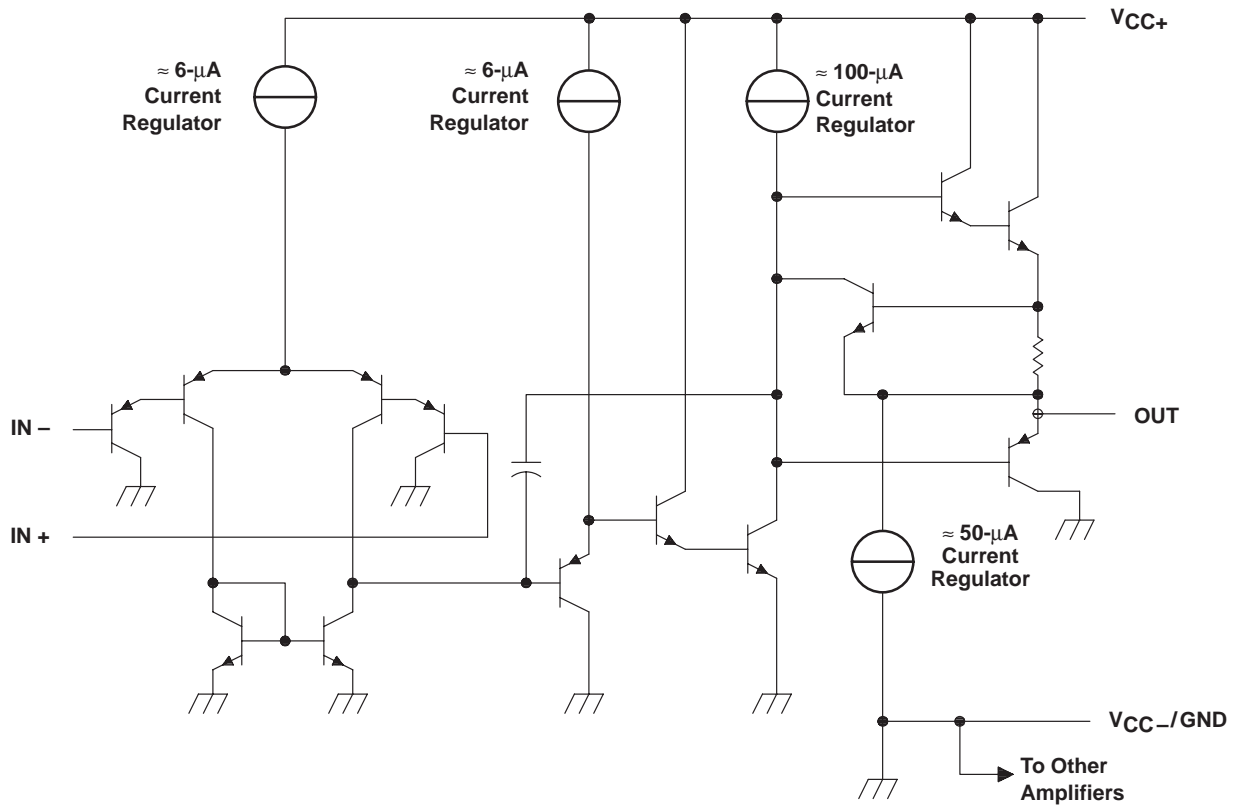
POST OFFICE BOX 655303 • DALLAS, TEXAS 75265

Copyright © 1996, Texas Instruments Incorporated

LM324x2 OCTAL OPERATIONAL AMPLIFIER

SLOS133A – APRIL 1994 – REVISED AUGUST 1996

schematic (each amplifier)



COMPONENT COUNT (total device)	
Epi-FET	2
Transistors	190
Diodes	8
Resistors	22
Capacitors	8

absolute maximum ratings over operating free-air temperature range (unless otherwise noted)†

Supply voltage, V_{CC} (see Note 1)	32 V
Differential input voltage, V_{ID} (see Note 2)	± 32 V
Input voltage range, V_I (any input)	–0.3 V to 32 V
Duration of output short circuit to ground (see Note 3)	unlimited
Continuous total power dissipation	See Dissipation Rating Table
Operating free-air temperature range, T_A	0°C to 70°C
Storage temperature range	–65°C to 150°C

† Stresses beyond those listed under “absolute maximum ratings” may cause permanent damage to the device. These are stress ratings only, and functional operation of the device at these conditions beyond those indicated is not implied. Exposure to absolute-maximum-rated conditions for extended periods may affect device reliability.

- NOTES: 1. All voltage values, except differential voltages and V_{CC} specified for the measurement of I_{OS} , are with respect to GND.
 2. Differential voltages are at IN + with respect to IN –.
 3. Short circuits from outputs to V_{CC} can cause excessive heating and eventual destruction.

DISSIPATION RATING TABLE

PACKAGE	$T_A \leq 25^\circ\text{C}$ POWER RATING	DERATING FACTOR ABOVE $T_A = 25^\circ\text{C}$	$T_A = 70^\circ\text{C}$ POWER RATING
DB	1024 mW	8.2 mW/°C	655 mW

LM324x2 OCTAL OPERATIONAL AMPLIFIER

SLOS133A – APRIL 1994 – REVISED AUGUST 1996

electrical characteristics at specified free-air temperature, $V_{CC} = 5\text{ V}$ (unless otherwise noted)

PARAMETER	TEST CONDITIONS†	T_A ‡	MIN	TYP§	MAX	UNIT	
V_{IO} Input offset voltage	$V_{CC} = 5\text{ V to MAX, } V_O = 1.4\text{ V}$ $V_{IC} = V_{ICRmin}$,	25°C		3	7	mV	
		Full range			9		
I_{IO} Input offset current	$V_O = 1.4\text{ V}$	25°C		2	50	nA	
		Full range			150		
I_{IB} Input bias current	$V_O = 1.4\text{ V}$	25°C		-20	-250	nA	
		Full range			-500		
V_{ICR} Common-mode input voltage range	$V_{CC} = 5\text{ V to MAX}$	25°C		0 to $V_{CC}-1.5$		V	
		Full range		0 to $V_{CC}-2$			
V_{OH} High-level output voltage	$R_L = 2\text{ k}\Omega$	25°C		$V_{CC}-1.5$		V	
	$V_{CC} = \text{MAX, } R_L = 2\text{ k}\Omega$	Full range		26			
	$V_{CC} = \text{MAX, } R_L \geq 10\text{ k}\Omega$	Full range		27	28		
V_{OL} Low-level output voltage	$R_L \leq 10\text{ k}\Omega$	Full range		5	20	mV	
A_{VD} Large-signal differential voltage amplification	$V_{CC} = 15\text{ V, } R_L \geq 2\text{ k}\Omega$ $V_O = 1\text{ V to } 11\text{ V,}$	25°C		25	100	V/mV	
		Full range		15			
CMRR Common-mode rejection ratio	$V_{IC} = V_{ICRmin}$	25°C		65	80	dB	
k_{SVR} Supply-voltage rejection ratio ($\Delta V_{CC}/\Delta V_{IO}$)		25°C		65	100	dB	
V_{O1}/V_{O2} Crosstalk attenuation	$f = 1\text{ kHz to } 20\text{ kHz}$	25°C		120		dB	
I_O Output current	$V_{CC} = 15\text{ V, } V_{ID} = 1\text{ V, } V_O = 0$	25°C		-20	-30	-60	mA
		Full range		-10			
	$V_{CC} = 15\text{ V, } V_O = 15\text{ V}$	25°C		10	20		
		Full range		5			
I_{OS} Short-circuit output current	$V_O = 0, \text{ GND} = -5\text{ V}$	25°C		± 40	± 60	mA	
		Full range		1.4	2.4		
I_{CC} Supply current (eight amplifiers)	$V_O = 2.5\text{ V, No load}$	Full range		1.4	2.4	mA	
	$V_{CC} = \text{MAX, No load, } V_O = 0.5 V_{CC}$	Full range		2.2	6		

† All characteristics are measured under open-loop conditions with zero common-mode input voltage unless otherwise specified. MAX V_{CC} for testing purposes is 30 V.

‡ Full range is 0°C to 70°C.

§ All typical values are at $T_A = 25^\circ\text{C}$.



IMPORTANT NOTICE

Texas Instruments and its subsidiaries (TI) reserve the right to make changes to their products or to discontinue any product or service without notice, and advise customers to obtain the latest version of relevant information to verify, before placing orders, that information being relied on is current and complete. All products are sold subject to the terms and conditions of sale supplied at the time of order acknowledgement, including those pertaining to warranty, patent infringement, and limitation of liability.

TI warrants performance of its semiconductor products to the specifications applicable at the time of sale in accordance with TI's standard warranty. Testing and other quality control techniques are utilized to the extent TI deems necessary to support this warranty. Specific testing of all parameters of each device is not necessarily performed, except those mandated by government requirements.

CERTAIN APPLICATIONS USING SEMICONDUCTOR PRODUCTS MAY INVOLVE POTENTIAL RISKS OF DEATH, PERSONAL INJURY, OR SEVERE PROPERTY OR ENVIRONMENTAL DAMAGE ("CRITICAL APPLICATIONS"). TI SEMICONDUCTOR PRODUCTS ARE NOT DESIGNED, AUTHORIZED, OR WARRANTED TO BE SUITABLE FOR USE IN LIFE-SUPPORT DEVICES OR SYSTEMS OR OTHER CRITICAL APPLICATIONS. INCLUSION OF TI PRODUCTS IN SUCH APPLICATIONS IS UNDERSTOOD TO BE FULLY AT THE CUSTOMER'S RISK.

In order to minimize risks associated with the customer's applications, adequate design and operating safeguards must be provided by the customer to minimize inherent or procedural hazards.

TI assumes no liability for applications assistance or customer product design. TI does not warrant or represent that any license, either express or implied, is granted under any patent right, copyright, mask work right, or other intellectual property right of TI covering or relating to any combination, machine, or process in which such semiconductor products or services might be or are used. TI's publication of information regarding any third party's products or services does not constitute TI's approval, warranty or endorsement thereof.