

TLV2332, TLV2332Y, TLV2334, TLV2334Y LinCMOS™ LOW-VOLTAGE MEDIUM-POWER OPERATIONAL AMPLIFIERS

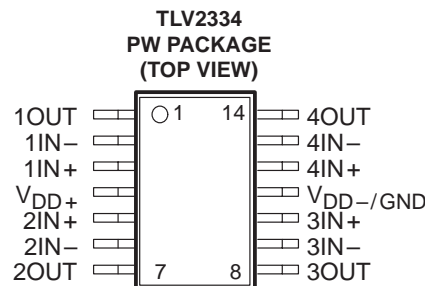
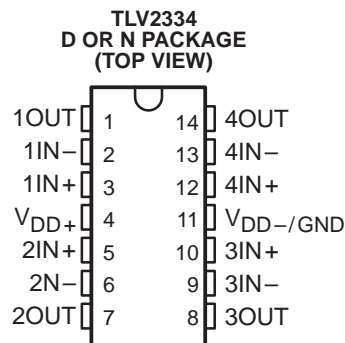
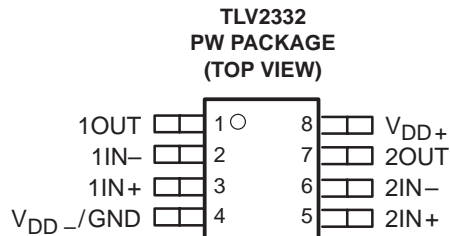
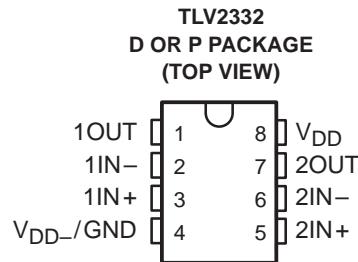
SLOS189 – FEBRUARY 1997

- **Wide Range of Supply Voltages Over Specified Temperature Range:**
 $T_A = -40^\circ\text{C to } 85^\circ\text{C} \dots 2\text{ V to } 8\text{ V}$
- **Fully Characterized at 3 V and 5 V**
- **Single-Supply Operation**
- **Common-Mode Input-Voltage Range Extends Below the Negative Rail and up to $V_{DD} - 1\text{ V}$ at $T_A = 25^\circ\text{C}$**
- **Output Voltage Range Includes Negative Rail**
- **High Input Impedance . . . $10^{12}\ \Omega$ Typ**
- **ESD-Protection Circuitry**
- **Designed-In Latch-Up Immunity**

description

The TLV233x operational amplifiers are in a family of devices that has been specifically designed for use in low-voltage single-supply applications. Unlike the TLV2322 which is optimized for ultra-low power, the TLV233x is designed to provide a combination of low power and good ac performance. Each amplifier is fully functional down to a minimum supply voltage of 2 V, is fully characterized, tested, and specified at both 3-V and 5-V power supplies. The common-mode input-voltage range includes the negative rail and extends to within 1 V of the positive rail.

Having a maximum supply current of only 310 μA per amplifier over full temperature range, the TLV233x devices offer a combination of good ac performance and microampere supply currents. From a 3-V power supply, the amplifier's typical slew rate is 0.38 V/ μs and its bandwidth is 300 kHz.



AVAILABLE OPTIONS

| T _A | V _{IO} max AT 25°C | PACKAGED DEVICES | | | | CHIP FORMS [§] (Y) |
|----------------|--------------------------------|-----------------------------------|--------------------|--------------------|----------------------------|--------------------------------|
| | | SMALL OUTLINE [†] (D) | PLASTIC DIP (N) | PLASTIC DIP (P) | TSSOP [‡] (PW) | |
| -40°C to 85°C | 9 mV | TLV2332ID | — | TLV2332IP | TLV2332IPWLE | TLV2332Y |
| | 10 mV | TLV2334ID | TLV2334IN | — | TLV2334IPWLE | TLV2334Y |

[†] The D package is available taped and reeled. Add R suffix to the device type (e.g., TLV2332IDR).

[‡] The PW package is only available left-end taped and reeled (e.g., TLV2332IPWLE).

[§] Chip forms are tested at 25°C only.



Please be aware that an important notice concerning availability, standard warranty, and use in critical applications of Texas Instruments semiconductor products and disclaimers thereto appears at the end of this data sheet.

LinCMOS is a trademark of Texas Instruments Incorporated.

PRODUCTION DATA information is current as of publication date. Products conform to specifications per the terms of Texas Instruments standard warranty. Production processing does not necessarily include testing of all parameters.

**TEXAS
INSTRUMENTS**

POST OFFICE BOX 655303 • DALLAS, TEXAS 75265

Copyright © 1997, Texas Instruments Incorporated

TLV2332, TLV2332Y, TLV2334, TLV2334Y LinCMOS™ LOW-VOLTAGE MEDIUM-POWER OPERATIONAL AMPLIFIERS

SLOS189 – FEBRUARY 1997

description (continued)

These amplifiers offer a level of ac performance greater than that of many other devices operating at comparable power levels. The TLV233x operational amplifiers are especially well suited for use in low-current or battery-powered applications.

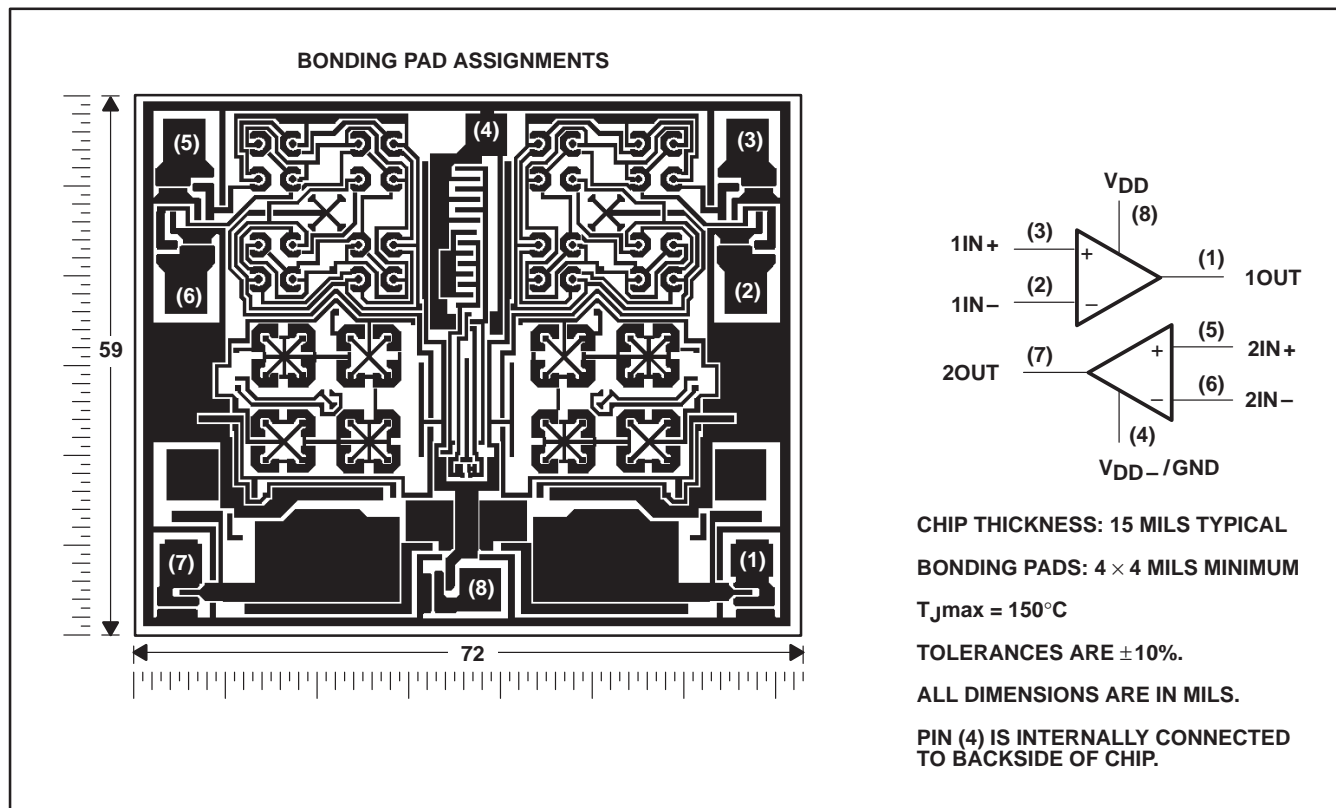
Low-voltage and low-power operation has been made possible by using the Texas Instruments silicon-gate LinCMOS™ technology. The LinCMOS process also features extremely high input impedance and ultra-low bias currents making these amplifiers ideal for interfacing to high-impedance sources such as sensor circuits or filter applications.

To facilitate the design of small portable equipment, the TLV233x is made available in a wide range of package options, including the small-outline and thin-shrink small-outline package (TSSOP). The TSSOP package has significantly reduced dimensions compared to a standard surface-mount package. Its maximum height of only 1.1 mm makes it particularly attractive when space is critical.

The device inputs and outputs are designed to withstand –100-mA currents without sustaining latch-up. The TLV233x incorporates internal ESD-protection circuits that prevents functional failures at voltages up to 2000 V as tested under MIL-STD 883C, Method 3015.2; however, care should be exercised in handling these devices as exposure to ESD may result in the degradation of the device parametric performance.

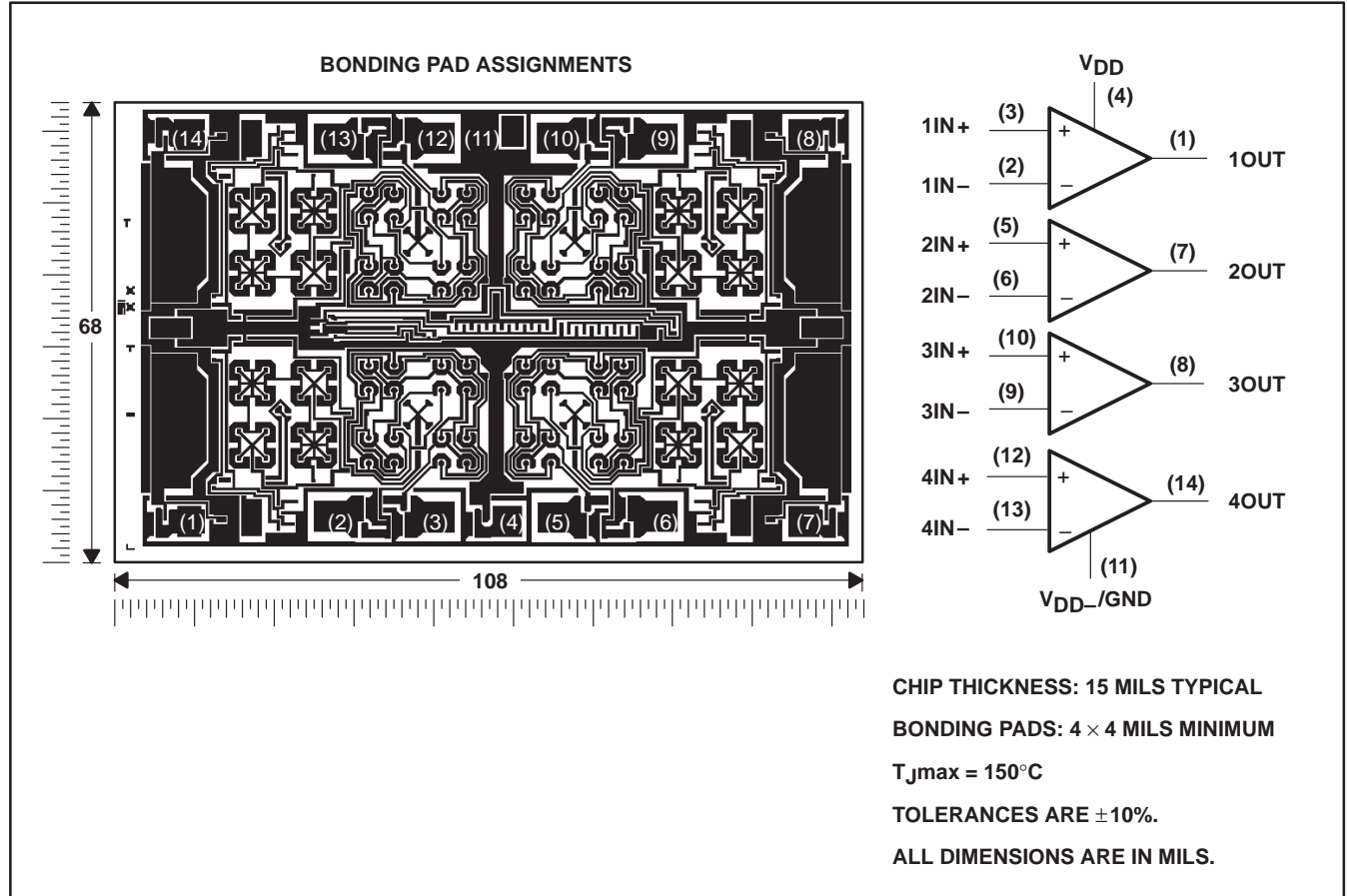
TLV2332Y chip information

This chip, when properly assembled, display characteristics similar to the TLV2332. Thermal compression or ultrasonic bonding may be used on the doped-aluminum bonding pads. Chips may be mounted with conductive epoxy or a gold-silicon preform.



TLV2334Y chip information

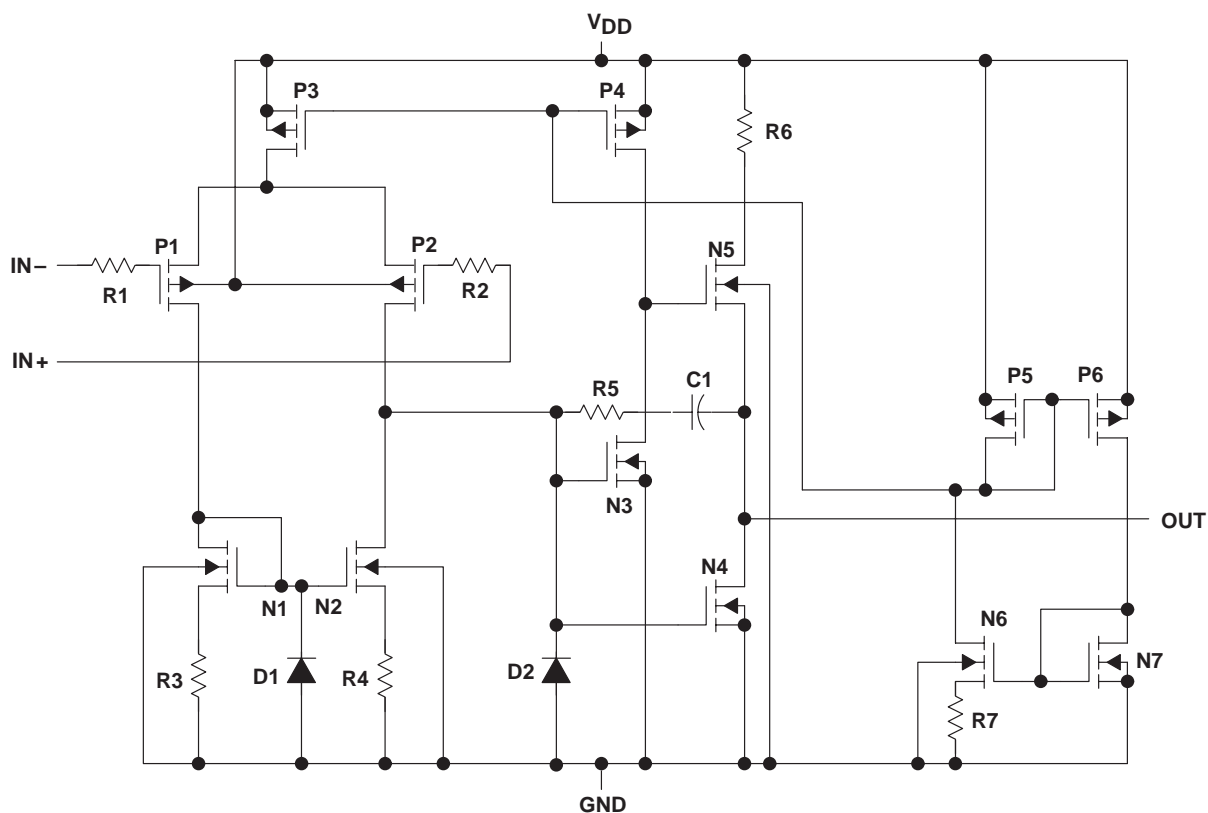
This chip, when properly assembled, displays characteristics similar to the TLV2334. Thermal compression or ultrasonic bonding may be used on the doped-aluminum bonding pads. Chips may be mounted with conductive epoxy or a gold-silicon preform.



TLV2332, TLV2332Y, TLV2334, TLV2334Y
LinCMOS™ LOW-VOLTAGE MEDIUM-POWER
OPERATIONAL AMPLIFIERS

SLOS189 – FEBRUARY 1997

equivalent schematic (each amplifier)



| ACTUAL DEVICE COMPONENT COUNT† | | |
|--------------------------------|---------|---------|
| COMPONENT | TLV2332 | TLV2334 |
| Transistors | 54 | 108 |
| Resistors | 14 | 28 |
| Diodes | 4 | 8 |
| Capacitors | 2 | 4 |

† Includes both amplifiers and all ESD, bias, and trim circuitry.

absolute maximum ratings over operating free-air temperature (unless otherwise noted)†

| | |
|---|------------------------------|
| Supply voltage, V_{DD} (see Note 1) | 8 V |
| Differential input voltage, V_{ID} (see Note 2) | $V_{DD} \pm$ |
| Input voltage range, V_I (any input) | –0.3 V to V_{DD} |
| Input current, I_I | ± 5 mA |
| Output current, I_O | ± 30 mA |
| Duration of short-circuit current at (or below) $T_A = 25^\circ\text{C}$ (see Note 3) | unlimited |
| Continuous total dissipation | See Dissipation Rating Table |
| Operating free-air temperature range, T_A | –40°C to 85°C |
| Storage temperature range | –65°C to 150°C |
| Lead temperature 1,6 mm (1/16 inch) from case for 10 seconds | 260°C |

† Stresses beyond those listed under “absolute maximum ratings” may cause permanent damage to the device. These are stress ratings only, and functional operation of the device at these or any other conditions beyond those indicated under “recommended operating conditions” is not implied. Exposure to absolute-maximum-rated conditions for extended periods may affect device reliability.

- NOTES:
1. All voltage values, except differential voltages, are with respect to network ground.
 2. Differential voltages are at the noninverting input with respect to the inverting input.
 3. The output may be shorted to either supply. Temperature and/or supply voltages must be limited to ensure that the maximum dissipation rating is not exceeded (see application section).

DISSIPATION RATING TABLE

| PACKAGE | $T_A \leq 25^\circ\text{C}$ POWER RATING | DERATING FACTOR ABOVE $T_A = 25^\circ\text{C}$ | $T_A = 85^\circ\text{C}$ POWER RATING |
|---------|---|---|--|
| D–8 | 725 mW | 5.8 mW/°C | 377 mW |
| D–14 | 950 mW | 7.6 mW/°C | 494 mW |
| N | 1575 mW | 12.6 mW/°C | 819 mW |
| P | 1000 mW | 8.0 mW/°C | 520 mW |
| PW–8 | 525 mW | 4.2 mW/°C | 273 mW |
| PW–14 | 700 mW | 5.6 mW/°C | 364 mW |

recommended operating conditions

| | | MIN | MAX | UNIT |
|---------------------------------------|----------------|------|-----|------|
| Supply voltage, V_{DD} | | 2 | 8 | V |
| Common-mode input voltage, V_{IC} | $V_{DD} = 3$ V | –0.2 | 1.8 | V |
| | $V_{DD} = 5$ V | –0.2 | 3.8 | |
| Operating free-air temperature, T_A | | –40 | 85 | °C |

TLV2332, TLV2332Y, TLV2334, TLV2334Y
LinCMOS™ LOW-VOLTAGE MEDIUM-POWER
OPERATIONAL AMPLIFIERS

SLOS189 – FEBRUARY 1997

TLV2332I electrical characteristics at specified free-air temperature

| PARAMETER | TEST CONDITIONS | T _A † | TLV2332I | | | | | | UNIT |
|---|--|------------------|-----------------------|-------------------|-------------------|-----------------------|-------------------|-------|------|
| | | | V _{DD} = 3 V | | | V _{DD} = 5 V | | | |
| | | | MIN | TYP | MAX | MIN | TYP | MAX | |
| V _{IO} Input offset voltage | V _O = 1 V, V _{IC} = 1 V, R _S = 50 Ω, R _L = 100 kΩ | 25°C | 0.6 | | 9 | 1.1 | | 9 | mV |
| | | Full range | 11 | | | 11 | | | |
| α _{VIO} Average temperature coefficient of input offset voltage | | 25°C to 85°C | 1 | | | 1.7 | | μV/°C | |
| I _{IO} Input offset current (see Note 4) | V _O = 1 V, V _{IC} = 1 V | 25°C | 0.1 | | 0.1 | | | pA | |
| | | 85°C | 22 | 1000 | 24 | 1000 | | | |
| I _{IB} Input bias current (see Note 4) | V _O = 1 V, V _{IC} = 1 V | 25°C | 0.6 | | 0.6 | | | pA | |
| | | 85°C | 175 | 2000 | 200 | 2000 | | | |
| V _{ICR} Common-mode input voltage range (see Note 5) | | 25°C | -0.2 to 2 | -0.3 to 2.3 | -0.2 to 4 | | -0.3 to 4.2 | V | |
| | | Full range | -0.2 to 1.8 | | -0.2 to 3.8 | | | | |
| V _{OH} High-level output voltage | V _{IC} = 1 V, V _{ID} = 100 mV, I _{OH} = -1 mA | 25°C | 1.75 | 1.9 | 3.2 | 3.9 | V | | |
| | | Full range | 1.7 | | 3 | | | | |
| V _{OL} Low-level output voltage | V _{IC} = 1 V, V _{ID} = -100 mV, I _{OL} = 1 mA | 25°C | 115 | | 150 | 95 | 150 | mV | |
| | | Full range | 190 | | | 190 | | | |
| A _{VD} Large-signal differential voltage amplification | V _{IC} = 1 V, R _L = 100 kΩ, See Note 6 | 25°C | 25 | 83 | 25 | 170 | V/mV | | |
| | | Full range | 15 | | 15 | | | | |
| CMRR Common-mode rejection ratio | V _O = 1 V, V _{IC} = V _{ICRmin} , R _S = 50 Ω | 25°C | 65 | 92 | 65 | 91 | dB | | |
| | | Full range | 60 | | 60 | | | | |
| k _{SVR} Supply-voltage rejection ratio (ΔV _{DD} /ΔV _{IO}) | V _{IC} = 1 V, V _O = 1 V, R _S = 50 Ω | 25°C | 70 | 94 | 70 | 94 | dB | | |
| | | Full range | 65 | | 65 | | | | |
| I _{DD} Supply current | V _O = 1 V, V _{IC} = 1 V, No load | 25°C | 160 | | 500 | 210 | 560 | μA | |
| | | Full range | 620 | | | 800 | | | |

† Full range is -40°C to 85°C.

- NOTES: 4. The typical values of input bias current and input offset current below 5 pA are determined mathematically.
5. This range also applies to each input individually.
6. At V_{DD} = 5 V, V_O = 0.25 V to 2 V; at V_{DD} = 3 V, V_O = 0.5 V to 1.5 V.



TLV2332, TLV2332Y, TLV2334, TLV2334Y
**LinCMOS™ LOW-VOLTAGE MEDIUM-POWER
 OPERATIONAL AMPLIFIERS**

SLOS189 – FEBRUARY 1997

TLV2332I operating characteristics at specified free-air temperature, $V_{DD} = 3\text{ V}$

| PARAMETER | TEST CONDITIONS | T_A | TLV2332I | | | UNIT |
|---|--|--|----------|------|-----|------------------------|
| | | | MIN | TYP | MAX | |
| SR Slew rate at unity gain | $V_{IC} = 1\text{ V}$, $R_L = 100\text{ k}\Omega$, See Figure 34 | $V_{I(PP)} = 1\text{ V}$, $C_L = 20\text{ pF}$, | 25°C | 0.38 | | V/ μ s |
| | | | 85°C | 0.29 | | |
| V_n Equivalent input noise voltage | $f = 1\text{ kHz}$, See Figure 35 | $R_S = 20\ \Omega$, | 25°C | 32 | | nV/ $\sqrt{\text{Hz}}$ |
| B_{OM} Maximum output-swing bandwidth | $V_O = V_{OH}$, $R_L = 100\text{ k}\Omega$, | $C_L = 20\text{ pF}$, See Figure 34 | 25°C | 34 | | kHz |
| | | | 85°C | 32 | | |
| B_1 Unity-gain bandwidth | $V_I = 10\text{ mV}$, $R_L = 100\text{ k}\Omega$, | $C_L = 20\text{ pF}$, See Figure 36 | 25°C | 300 | | kHz |
| | | | 85°C | 235 | | |
| ϕ_m Phase margin | $V_I = 10\text{ mV}$, $C_L = 20\text{ pF}$, See Figure 36 | $f = B_1$, $R_L = 100\text{ k}\Omega$, | -40°C | 42° | | |
| | | | 25°C | 39° | | |
| | | | 85°C | 36° | | |

TLV2332I operating characteristics at specified free-air temperature, $V_{DD} = 5\text{ V}$

| PARAMETER | TEST CONDITIONS | T_A | TLV2332I | | | UNIT |
|---|--|---|----------|------|-----|------------------------|
| | | | MIN | TYP | MAX | |
| SR Slew rate at unity gain | $V_{IC} = 1\text{ V}$, $R_L = 100\text{ k}\Omega$, $C_L = 20\text{ pF}$, See Figure 34 | $V_{I(PP)} = 1\text{ V}$ | 25°C | 0.43 | | V/ μ s |
| | | | 85°C | 0.35 | | |
| | | $V_{I(PP)} = 2.5\text{ V}$ | 25°C | 0.40 | | |
| | | | 85°C | 0.32 | | |
| V_n Equivalent input noise voltage | $f = 1\text{ kHz}$, See Figure 35 | $R_S = 20\ \Omega$, | 25°C | 32 | | nV/ $\sqrt{\text{Hz}}$ |
| B_{OM} Maximum output-swing bandwidth | $V_O = V_{OH}$, $R_L = 100\text{ k}\Omega$, | $C_L = 20\text{ pF}$, See Figure 34 | 25°C | 55 | | kHz |
| | | | 85°C | 45 | | |
| B_1 Unity-gain bandwidth | $V_I = 10\text{ mV}$, $R_L = 100\text{ k}\Omega$, | $C_L = 20\text{ pF}$, See Figure 36 | 25°C | 525 | | kHz |
| | | | 85°C | 370 | | |
| ϕ_m Phase margin | $V_I = 10\text{ mV}$, $C_L = 20\text{ pF}$, See Figure 36 | $f = B_1$, $R_L = 100\text{ k}\Omega$, | -40°C | 43° | | |
| | | | 25°C | 40° | | |
| | | | 85°C | 38° | | |

TLV2332, TLV2332Y, TLV2334, TLV2334Y
LinCMOS™ LOW-VOLTAGE MEDIUM-POWER
OPERATIONAL AMPLIFIERS

SLOS189 – FEBRUARY 1997

TLV2334I electrical characteristics at specified free-air temperature

| PARAMETER | TEST CONDITIONS | T _A † | TLV2334I | | | | | | UNIT |
|---|--|------------------|-----------------------|-------------|------|-----------------------|-------------|------|-------|
| | | | V _{DD} = 3 V | | | V _{DD} = 5 V | | | |
| | | | MIN | TYP | MAX | MIN | TYP | MAX | |
| V _{IO} Input offset voltage | V _O = 1 V, V _{IC} = 1 V, R _S = 50 Ω, R _L = 100 kΩ | 25°C | 0.6 | | 10 | 1.1 | | 10 | mV |
| | | Full range | 12 | | | 12 | | | |
| α _{VIO} Average temperature coefficient of input offset voltage | | 25°C to 85°C | 1 | | | 1.7 | | | μV/°C |
| I _{IO} Input offset current (see Note 4) | V _O = 1 V, V _{IC} = 1 V | 25°C | 0.1 | | | 0.1 | | | pA |
| | | 85°C | 22 | 1000 | | 24 | 1000 | | |
| I _{IB} Input bias current (see Note 4) | V _O = 1 V, V _{IC} = 1 V | 25°C | 0.6 | | | 0.6 | | | pA |
| | | 85°C | 175 | 2000 | | 200 | 2000 | | |
| V _{ICR} Common-mode input voltage range (see Note 5) | | 25°C | -0.2 to 2 | -0.3 to 2.3 | | -0.2 to 4 | -0.3 to 4.2 | | V |
| | | Full range | -0.2 to 1.8 | | | -0.2 to 3.8 | | | V |
| V _{OH} High-level output voltage | V _{IC} = 1 V, V _{ID} = 100 mV, I _{OH} = -1 mA | 25°C | 1.75 | 1.9 | | 3.2 | 3.9 | | V |
| | | Full range | 1.7 | | | 3 | | | |
| V _{OL} Low-level output voltage | V _{IC} = 1 V, V _{ID} = -100 mV, I _{OL} = 1 mA | 25°C | 115 | | 150 | 95 | | 150 | mV |
| | | Full range | 190 | | | 190 | | | |
| A _{VD} Large-signal differential voltage amplification | V _{IC} = 1 V, R _L = 100 kΩ, See Note 6 | 25°C | 25 | 83 | | 25 | 170 | | V/mV |
| | | Full range | 15 | | | 15 | | | |
| CMRR Common-mode rejection ratio | V _O = 1 V, V _{IC} = V _{ICRmin} , R _S = 50 Ω | 25°C | 65 | 92 | | 65 | 91 | | dB |
| | | Full range | 60 | | | 60 | | | |
| k _{SVR} Supply-voltage rejection ratio (ΔV _{DD} /ΔV _{IO}) | V _{DD} = 3 V to 5 V, V _{IC} = 1 V, V _O = 1 V, R _S = 50 Ω | 25°C | 70 | 94 | | 70 | 94 | | dB |
| | | Full range | 65 | | | 65 | | | |
| I _{DD} Supply current | V _O = 1 V, V _{IC} = 1 V, No load | 25°C | 320 | | 1000 | 420 | | 1120 | μA |
| | | Full range | 1200 | | | 1600 | | | |

† Full range is -40°C to 85°C.

NOTES: 4. The typical values of input bias current and input offset current below 5 pA are determined mathematically.

5. This range also applies to each input individually.

6. At V_{DD} = 5 V, V_O = 0.25 V to 2 V; at V_{DD} = 3 V, V_O = 0.5 V to 1.5 V.



TLV2334I operating characteristics at specified free-air temperature, $V_{DD} = 3\text{ V}$

| PARAMETER | TEST CONDITIONS | T_A | TLV2334I | | | UNIT |
|---|--|--|----------|------|-----|------------------------|
| | | | MIN | TYP | MAX | |
| SR Slew rate at unity gain | $V_{IC} = 1\text{ V}$, $R_L = 100\text{ k}\Omega$, See Figure 34 | $V_{I(PP)} = 1\text{ V}$, $C_L = 20\text{ pF}$ | 25°C | 0.38 | | V/ μs |
| | | | 85°C | 0.29 | | |
| V_n Equivalent input noise voltage | $f = 1\text{ kHz}$, See Figure 35 | $R_S = 20\ \Omega$ | 25°C | 32 | | nV/ $\sqrt{\text{Hz}}$ |
| B_{OM} Maximum output-swing bandwidth | $V_O = V_{OH}$, $R_L = 100\text{ k}\Omega$, See Figure 34 | $C_L = 20\text{ pF}$, See Figure 34 | 25°C | 34 | | kHz |
| | | | 85°C | 32 | | |
| B_1 Unity-gain bandwidth | $V_I = 10\text{ mV}$, $R_L = 100\text{ k}\Omega$, See Figure 36 | $C_L = 20\text{ pF}$, See Figure 36 | 25°C | 300 | | kHz |
| | | | 85°C | 235 | | |
| ϕ_m Phase margin | $V_I = 10\text{ mV}$, $C_L = 20\text{ pF}$, See Figure 36 | $f = B_1$, $R_L = 100\text{ k}\Omega$ | -40°C | 42° | | |
| | | | 25°C | 39° | | |
| | | | 85°C | 36° | | |

TLV2334I operating characteristics at specified free-air temperature, $V_{DD} = 5\text{ V}$

| PARAMETER | TEST CONDITIONS | T_A | TLV2334I | | | UNIT | |
|---|--|---|----------|----------------------------|------|------------------------|------|
| | | | MIN | TYP | MAX | | |
| SR Slew rate at unity gain | $V_{IC} = 1\text{ V}$, $R_L = 100\text{ k}\Omega$, $C_L = 20\text{ pF}$, See Figure 34 | $V_{I(PP)} = 1\text{ V}$ | 25°C | 0.43 | | V/ μs | |
| | | | 85°C | 0.35 | | | |
| | | | 25°C | $V_{I(PP)} = 2.5\text{ V}$ | 0.40 | | |
| | | | | | 85°C | | 0.32 |
| V_n Equivalent input noise voltage | $f = 1\text{ kHz}$, See Figure 35 | $R_S = 20\ \Omega$ | 25°C | 32 | | nV/ $\sqrt{\text{Hz}}$ | |
| B_{OM} Maximum output-swing bandwidth | $V_O = V_{OH}$, $R_L = 100\text{ k}\Omega$, See Figure 34 | $C_L = 20\text{ pF}$, See Figure 34 | 25°C | 55 | | kHz | |
| | | | 85°C | 45 | | | |
| B_1 Unity-gain bandwidth | $V_I = 10\text{ mV}$, $R_L = 100\text{ k}\Omega$, See Figure 36 | $C_L = 20\text{ pF}$, See Figure 36 | 25°C | 525 | | kHz | |
| | | | 85°C | 370 | | | |
| ϕ_m Phase margin | $V_I = 10\text{ mV}$, $C_L = 20\text{ pF}$, See Figure 36 | $f = B_1$, $R_L = 100\text{ k}\Omega$ | -40°C | 43° | | | |
| | | | 25°C | 40° | | | |
| | | | 85°C | 38° | | | |

TLV2332, TLV2332Y, TLV2334, TLV2334Y
LinCMOS™ LOW-VOLTAGE MEDIUM-POWER
OPERATIONAL AMPLIFIERS

SLOS189 – FEBRUARY 1997

TLV2332Y electrical characteristics, $T_A = 25^\circ\text{C}$

| PARAMETER | TEST CONDITIONS | TLV2332Y | | | | | | UNIT |
|--|---|-----------------------|-----|-----|-----------------------|-----|-----|---------------|
| | | $V_{DD} = 3\text{ V}$ | | | $V_{DD} = 5\text{ V}$ | | | |
| | | MIN | TYP | MAX | MIN | TYP | MAX | |
| V_{IO} Input offset voltage | $V_O = 1\text{ V}$, $R_S = 50\ \Omega$, $V_{IC} = 1\text{ V}$, $R_L = 100\text{ k}\Omega$ | 0.6 | | | 1.1 | | | mV |
| I_{IO} Input offset current (see Note 4) | $V_O = 1\text{ V}$, $V_{IC} = 1\text{ V}$ | 0.1 | | | 0.1 | | | pA |
| I_{IB} Input bias current (see Note 4) | $V_O = 1\text{ V}$, $V_{IC} = 1\text{ V}$ | 0.6 | | | 0.6 | | | pA |
| V_{ICR} Common-mode input voltage range (see Note 5) | | -0.3 to 2.3 | | | -0.3 to 4.2 | | | V |
| V_{OH} High-level output voltage | $V_{IC} = 1\text{ V}$, $I_{OH} = -1\text{ mA}$, $V_{ID} = 100\text{ mV}$ | 1.9 | | | 3.9 | | | V |
| V_{OL} Low-level output voltage | $V_{IC} = 1\text{ V}$, $I_{OL} = 1\text{ mA}$, $V_{ID} = 100\text{ mV}$ | 115 | | | 95 | | | mV |
| A_{VD} Large-signal differential voltage amplification | $V_{IC} = 1\text{ V}$, See Note 6, $R_L = 100\text{ k}\Omega$ | 83 | | | 170 | | | V/mV |
| CMRR Common-mode rejection ratio | $V_O = 1\text{ V}$, $R_S = 50\ \Omega$, $V_{IC} = V_{ICRmin}$ | 92 | | | 91 | | | dB |
| k_{SVR} Supply-voltage rejection ratio ($\Delta V_{DD}/\Delta V_{ID}$) | $V_O = 1\text{ V}$, $R_S = 50\ \Omega$, $V_{IC} = 1\text{ V}$ | 94 | | | 94 | | | dB |
| I_{DD} Supply current | $V_O = 1\text{ V}$, No load, $V_{IC} = 1\text{ V}$ | 160 | | | 210 | | | μA |

- NOTES: 4. The typical values of input bias current and input offset current below 5 pA are determined mathematically.
5. This range also applies to each input individually.
6. At $V_{DD} = 5\text{ V}$, $V_O = 0.25\text{ V}$ to 2 V ; at $V_{DD} = 3\text{ V}$, $V_O = 0.5\text{ V}$ to 1.5 V .



TLV2334Y electrical characteristics, $T_A = 25^\circ\text{C}$

| PARAMETER | TEST CONDITIONS | TLV2334Y | | | | | | UNIT |
|--|---|-----------------------|-------------------|-----|-----------------------|-------------------|-----|---------------|
| | | $V_{DD} = 3\text{ V}$ | | | $V_{DD} = 5\text{ V}$ | | | |
| | | MIN | TYP | MAX | MIN | TYP | MAX | |
| V_{IO} Input offset voltage | $V_O = 1\text{ V}$, $R_S = 50\ \Omega$, $V_{IC} = 1\text{ V}$, $R_L = 100\text{ k}\Omega$ | | 0.6 | | | 1.1 | | mV |
| I_{IO} Input offset current (see Note 4) | $V_O = 1\text{ V}$, $V_{IC} = 1\text{ V}$ | | 0.1 | | | 0.1 | | pA |
| I_{IB} Input bias current (see Note 4) | $V_O = 1\text{ V}$, $V_{IC} = 1\text{ V}$ | | 0.6 | | | 0.6 | | pA |
| V_{ICR} Common-mode input voltage range (see Note 5) | | | -0.3 to 2.3 | | | -0.3 to 4.2 | | V |
| V_{OH} High-level output voltage | $V_{IC} = 1\text{ V}$, $I_{OH} = -1\text{ mA}$, $V_{ID} = 100\text{ mV}$ | | 1.9 | | | 3.9 | | V |
| V_{OL} Low-level output voltage | $V_{IC} = 1\text{ V}$, $I_{OL} = 1\text{ mA}$, $V_{ID} = -100\text{ mV}$ | | 115 | | | 95 | | mV |
| A_{VD} Large-signal differential voltage amplification | $V_{IC} = 1\text{ V}$, See Note 6, $R_L = 100\text{ k}\Omega$ | | 83 | | | 170 | | V/mV |
| CMRR Common-mode rejection ratio | $V_O = 1\text{ V}$, $R_S = 50\ \Omega$, $V_{IC} = V_{ICRmin}$ | | 92 | | | 91 | | dB |
| k_{SVR} Supply-voltage rejection ratio ($\Delta V_{DD}/\Delta V_{ID}$) | $V_{IC} = 1\text{ V}$, $R_S = 50\ \Omega$, $V_O = 1\text{ V}$ | | 94 | | | 94 | | dB |
| I_{DD} Supply current | $V_O = 1\text{ V}$, No load, $V_{IC} = 1\text{ V}$ | | 320 | | | 420 | | μA |

- NOTES: 4. The typical values of input bias current offset current below 5 pA are determined mathematically.
 5. This range also applies to each input individually.
 6. At $V_{DD} = 5\text{ V}$, $V_O = 0.25\text{ V}$ to 2 V ; at $V_{DD} = 3\text{ V}$, $V_O = 0.5\text{ V}$ to 1.5 V .

TYPICAL CHARACTERISTICS

Table of Graphs

| | | | FIGURE |
|----------------|---|-------------------------------|---------------|
| V_{IO} | Input offset voltage | Distribution | 1 – 4 |
| α_{VIO} | Input offset voltage temperature coefficient | Distribution | 5 – 8 |
| I_{IB} | Input bias current | vs Free-air temperature | 9 |
| I_{IO} | Input offset current | vs Free-air temperature | 9 |
| V_{IC} | Common-mode input voltage | vs Supply voltage | 10 |
| V_{OH} | High-level output voltage | vs High-level output current | 11 |
| | | vs Supply voltage | 12 |
| | | vs Free-air temperature | 13 |
| V_{OL} | Low-level output voltage | vs Common-mode input voltage | 14 |
| | | vs Free-air temperature | 15, 16 |
| | | vs Differential input voltage | 17 |
| | | vs Low-level output current | 18 |
| A_{VD} | Large-signal differential voltage amplification | vs Supply voltage | 19 |
| | | vs Free-air temperature | 20 |
| | | vs Frequency | 21, 22 |
| I_{DD} | Supply current | vs Supply voltage | 23 |
| | | vs Free-air temperature | 24 |
| SR | Slew rate | vs Supply voltage | 25 |
| | | vs Free-air temperature | 26 |
| $V_{O(PP)}$ | Maximum peak-to-peak output voltage | vs Frequency | 27 |
| B ₁ | Unity-gain bandwidth | vs Supply voltage | 28 |
| | | vs Free-air temperature | 29 |
| ϕ_m | Phase margin | vs Supply voltage | 30 |
| | | vs Free-air temperature | 31 |
| | | vs Load capacitance | 32 |
| | Phase shift | vs Frequency | 21, 22 |
| V_n | Equivalent input noise voltage | vs Frequency | 33 |

TYPICAL CHARACTERISTICS

DISTRIBUTION OF TLV2332
 INPUT OFFSET VOLTAGE

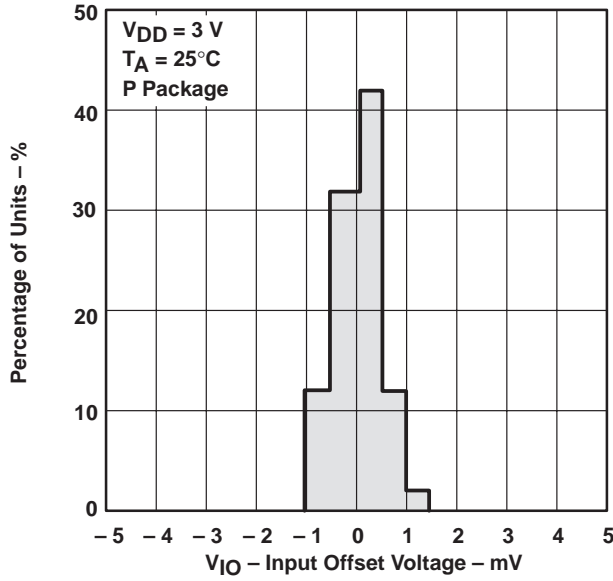


Figure 1

DISTRIBUTION OF TLV2332
 INPUT OFFSET VOLTAGE

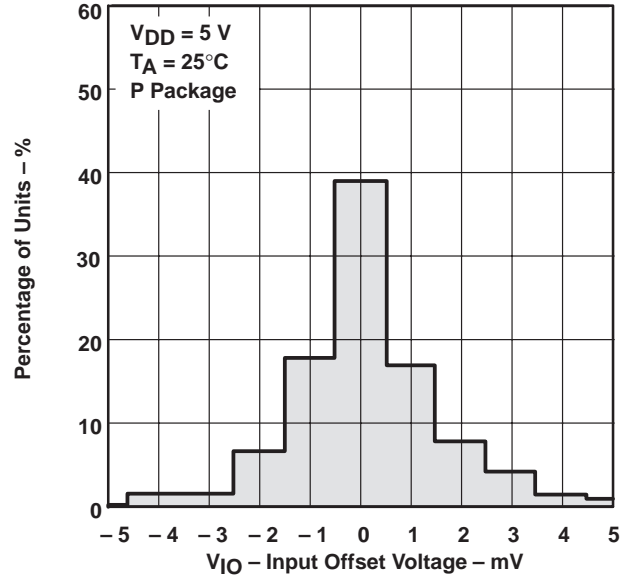


Figure 2

DISTRIBUTION OF TLV2334
 INPUT OFFSET VOLTAGE

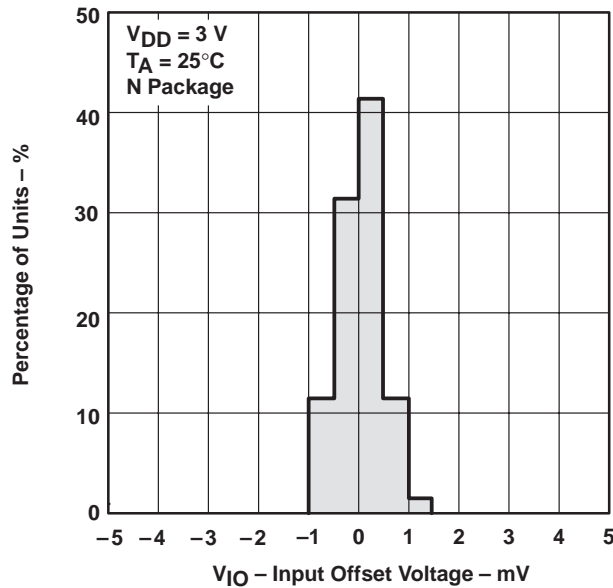


Figure 3

DISTRIBUTION OF TLV2334
 INPUT OFFSET VOLTAGE

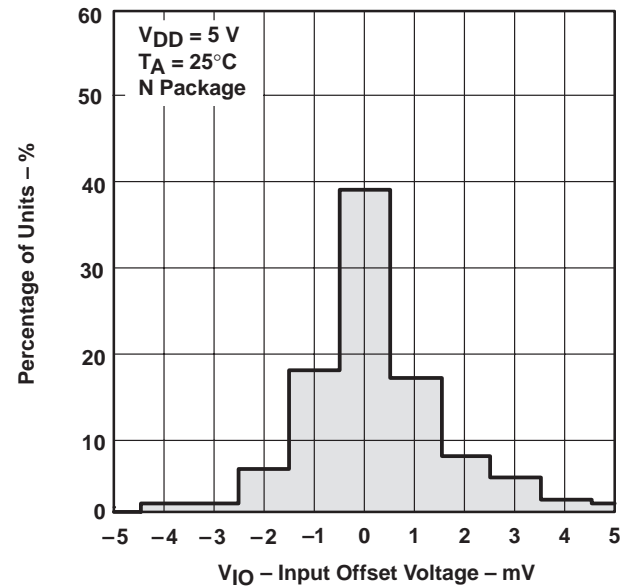


Figure 4

TYPICAL CHARACTERISTICS

DISTRIBUTION OF TLV2332
 INPUT OFFSET VOLTAGE
 TEMPERATURE COEFFICIENT

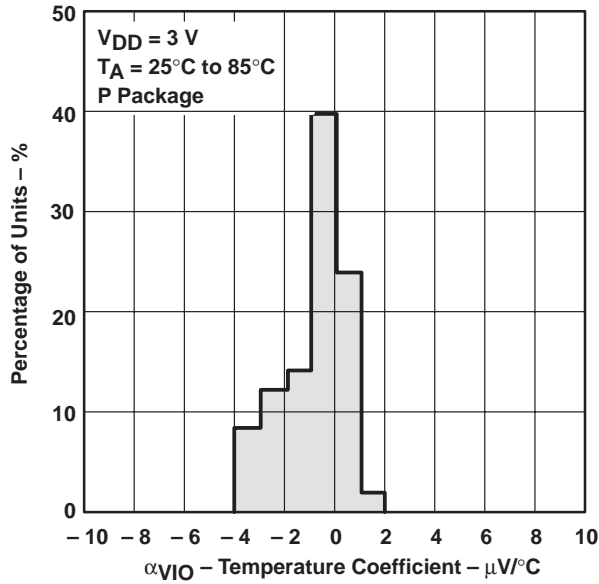


Figure 5

DISTRIBUTION OF TLV2332
 INPUT OFFSET VOLTAGE
 TEMPERATURE COEFFICIENT

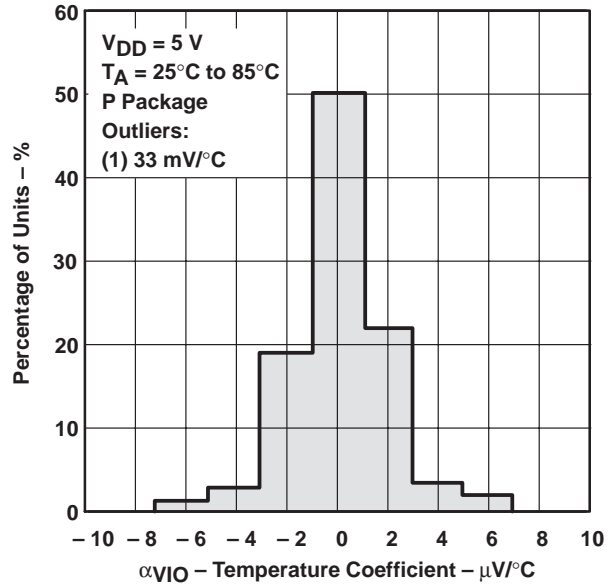


Figure 6

DISTRIBUTION OF TLV2334
 INPUT OFFSET VOLTAGE
 TEMPERATURE COEFFICIENT

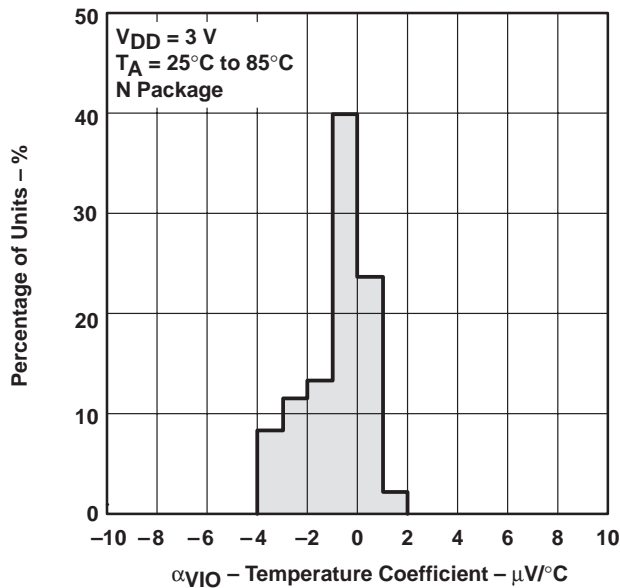


Figure 7

DISTRIBUTION OF TLV2334
 INPUT OFFSET VOLTAGE
 TEMPERATURE COEFFICIENT

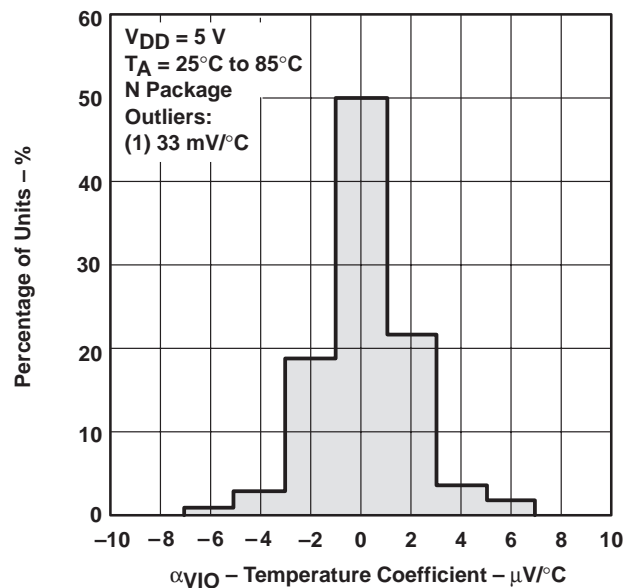
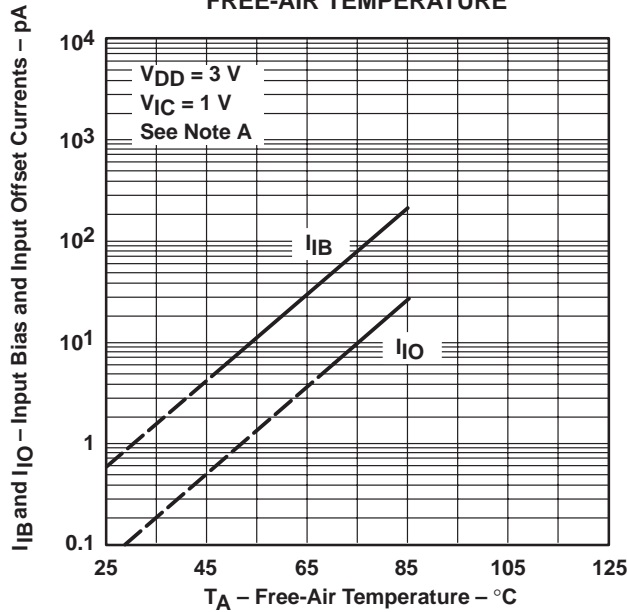


Figure 8

TYPICAL CHARACTERISTICS

INPUT BIAS CURRENT AND INPUT OFFSET CURRENT
 VS
 FREE-AIR TEMPERATURE



NOTE: The typical values of input bias current and input offset current below 5 pA were determined mathematically.

Figure 9

COMMON-MODE INPUT VOLTAGE
 VS
 SUPPLY VOLTAGE

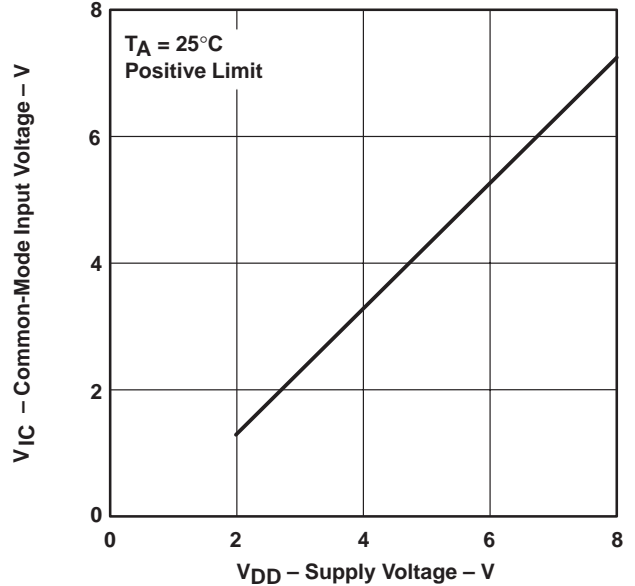


Figure 10

HIGH-LEVEL OUTPUT VOLTAGE
 VS
 HIGH-LEVEL OUTPUT CURRENT

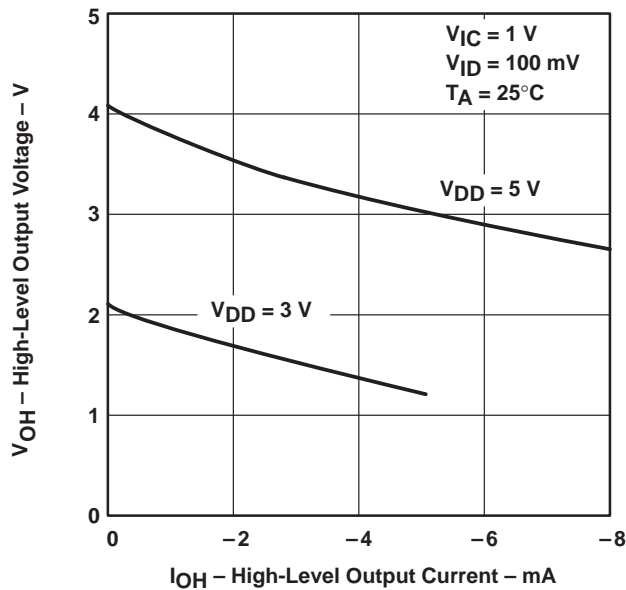


Figure 11

HIGH-LEVEL OUTPUT VOLTAGE
 VS
 SUPPLY VOLTAGE

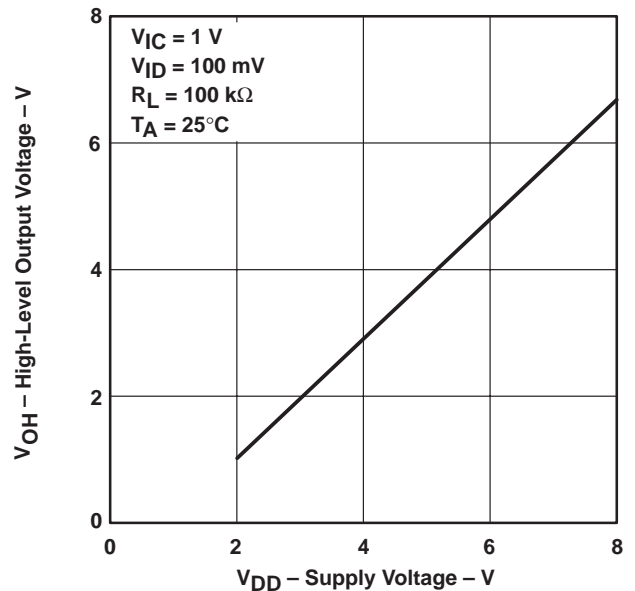


Figure 12

TYPICAL CHARACTERISTICS

HIGH-LEVEL OUTPUT VOLTAGE
 vs
 FREE-AIR TEMPERATURE

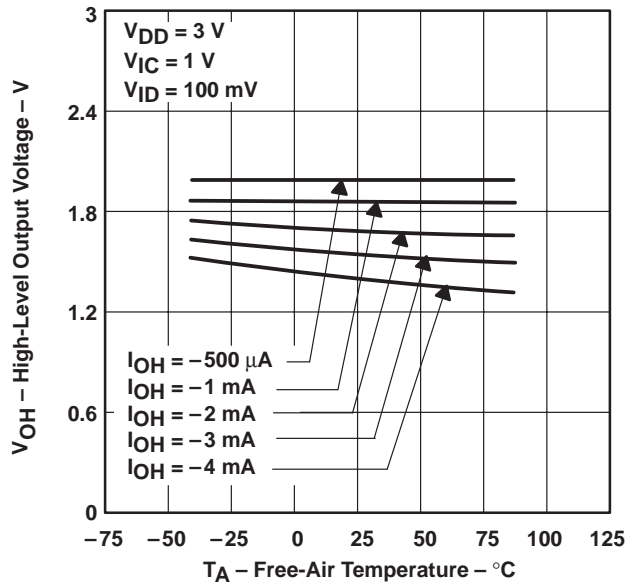


Figure 13

LOW-LEVEL OUTPUT VOLTAGE
 vs
 COMMON-MODE INPUT VOLTAGE

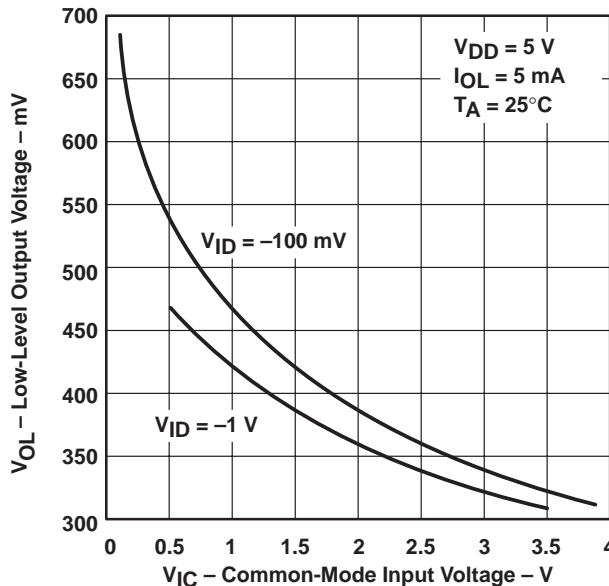


Figure 14

LOW-LEVEL OUTPUT VOLTAGE
 vs
 FREE-AIR TEMPERATURE

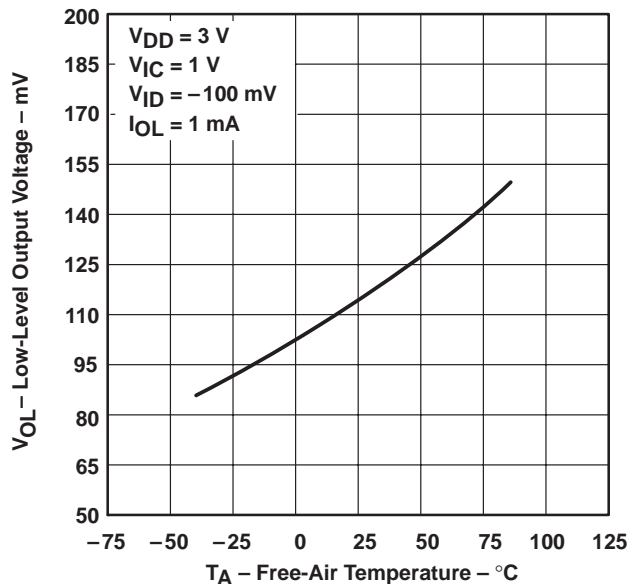


Figure 15

LOW-LEVEL OUTPUT VOLTAGE
 vs
 FREE-AIR TEMPERATURE

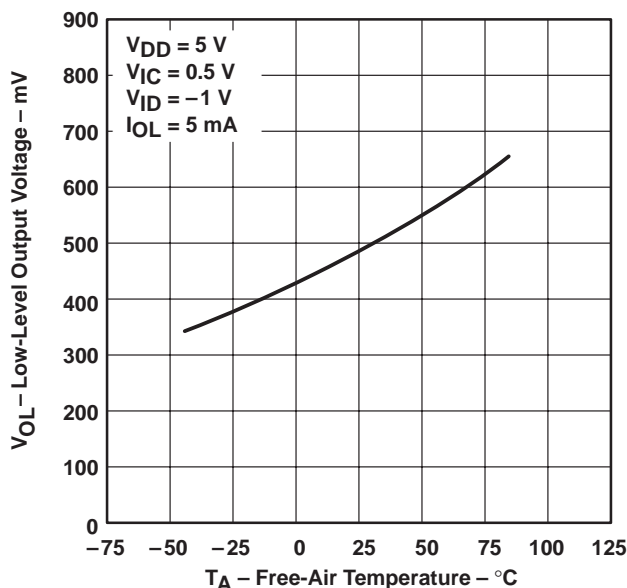


Figure 16

TYPICAL CHARACTERISTICS

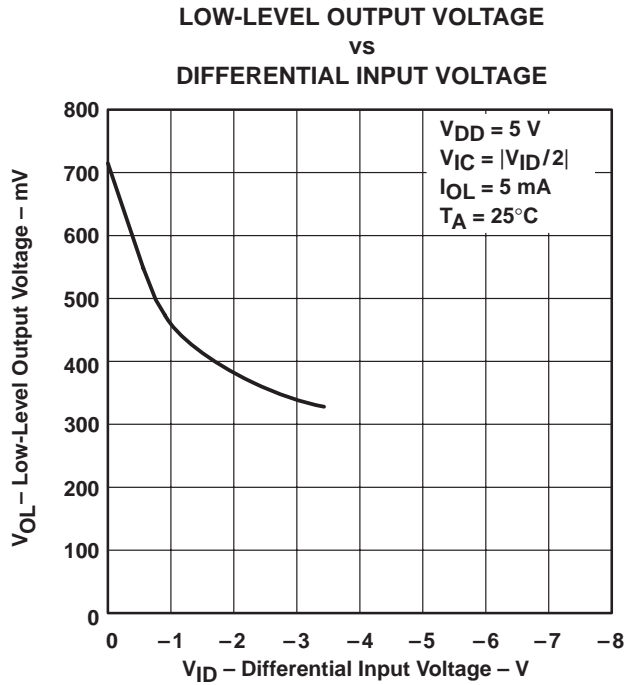


Figure 17

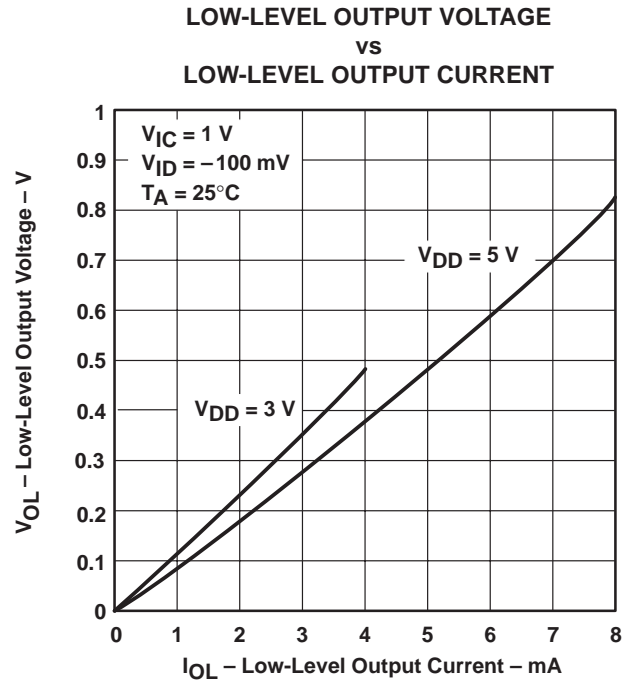


Figure 18

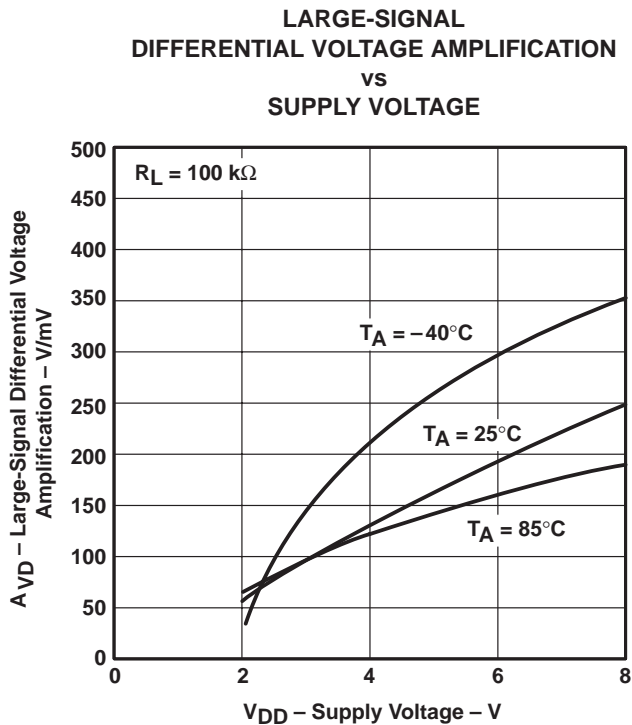


Figure 19

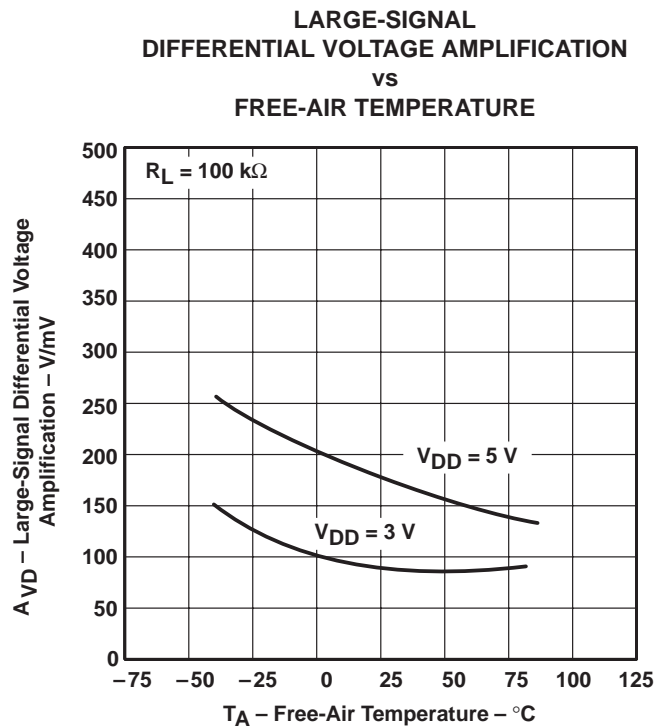


Figure 20

TYPICAL CHARACTERISTICS

**LARGE-SIGNAL DIFFERENTIAL VOLTAGE
 AMPLIFICATION AND PHASE SHIFT
 vs
 FREQUENCY**

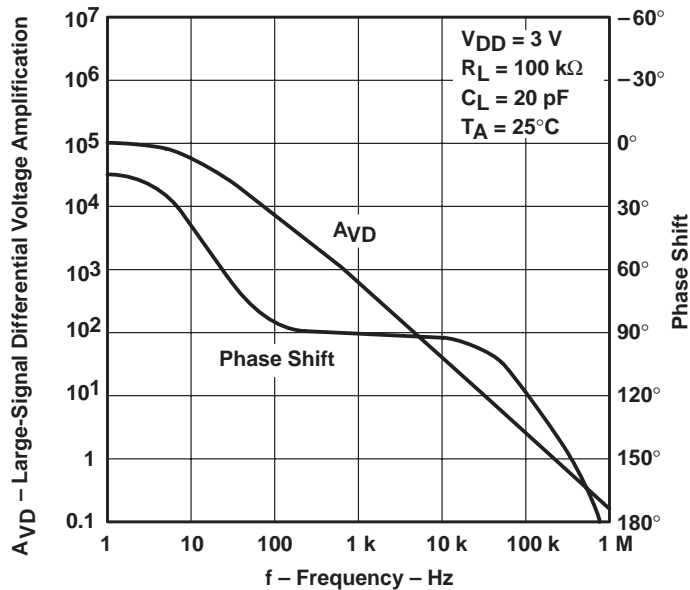


Figure 21

**LARGE-SIGNAL DIFFERENTIAL VOLTAGE
 AMPLIFICATION AND PHASE SHIFT
 vs
 FREQUENCY**

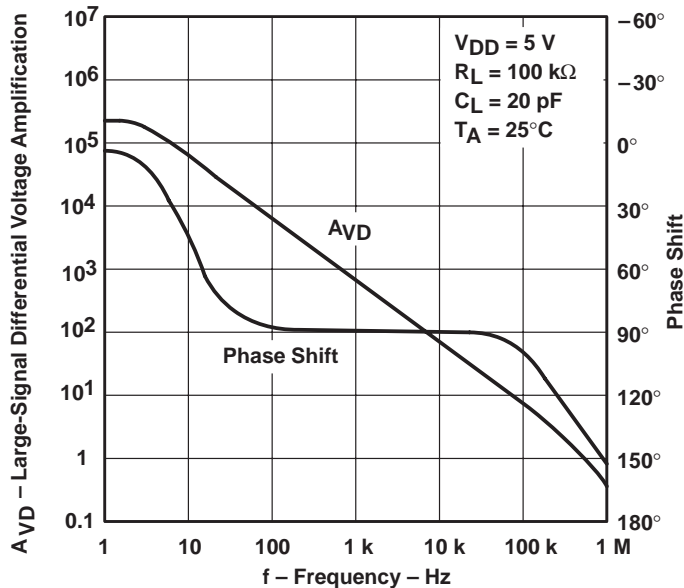


Figure 22

TYPICAL CHARACTERISTICS

SUPPLY CURRENT
 vs
 SUPPLY VOLTAGE

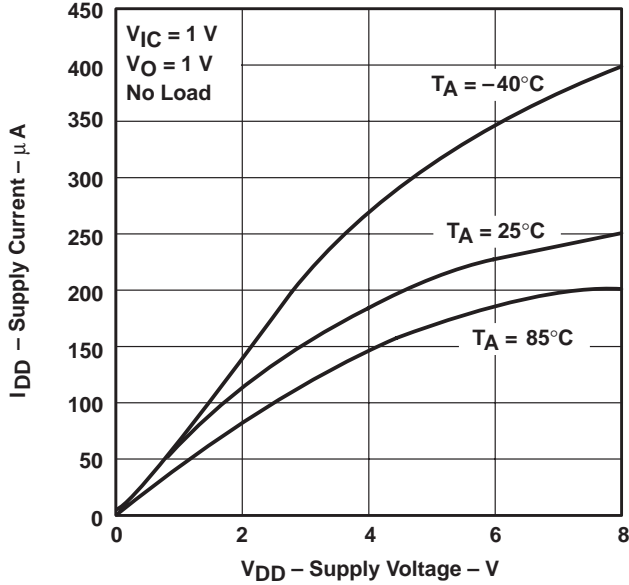


Figure 23

SUPPLY CURRENT
 vs
 FREE-AIR TEMPERATURE

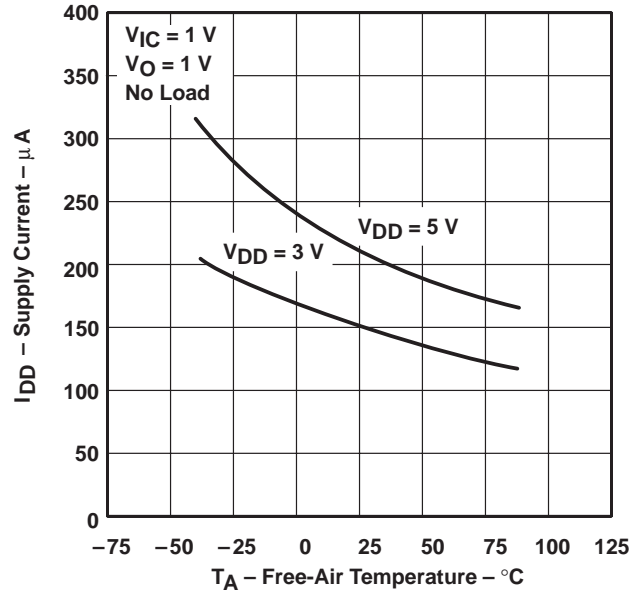


Figure 24

SLEW RATE
 vs
 SUPPLY VOLTAGE

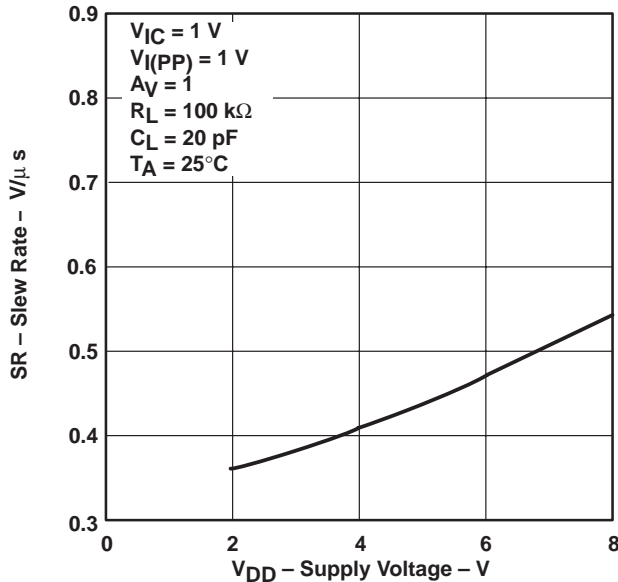


Figure 25

SLEW RATE
 vs
 FREE-AIR TEMPERATURE

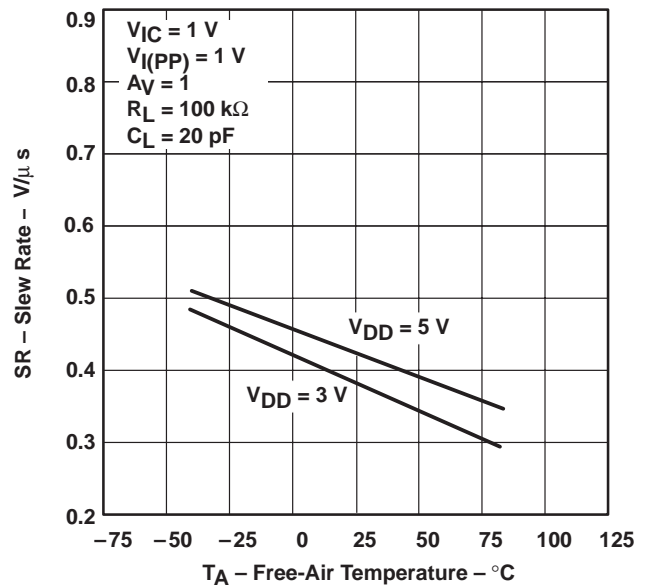


Figure 26

TYPICAL CHARACTERISTICS

MAXIMUM PEAK-TO-PEAK OUTPUT VOLTAGE
 VS
 FREQUENCY

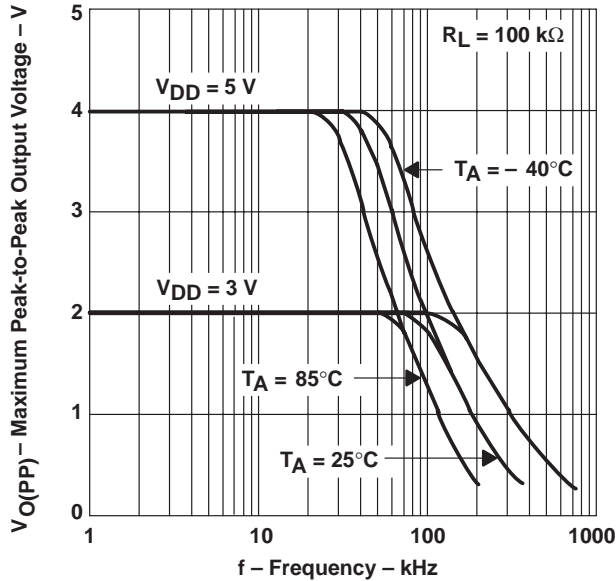


Figure 27

UNITY-GAIN BANDWIDTH
 VS
 SUPPLY VOLTAGE

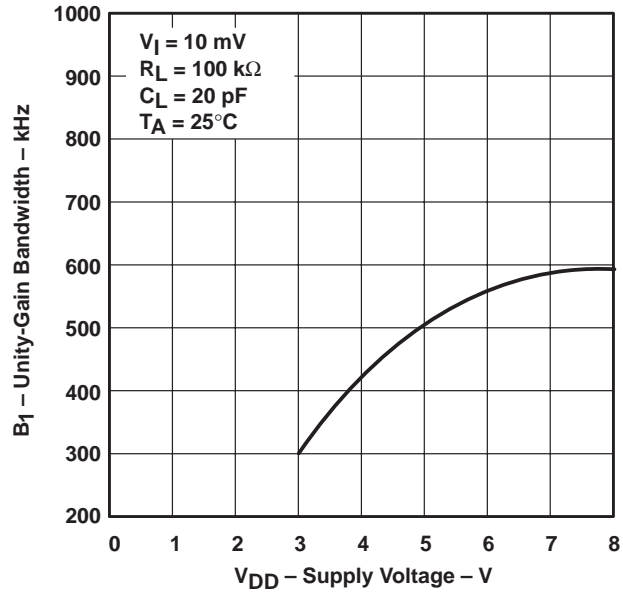


Figure 28

UNITY-GAIN BANDWIDTH
 VS
 FREE-AIR TEMPERATURE

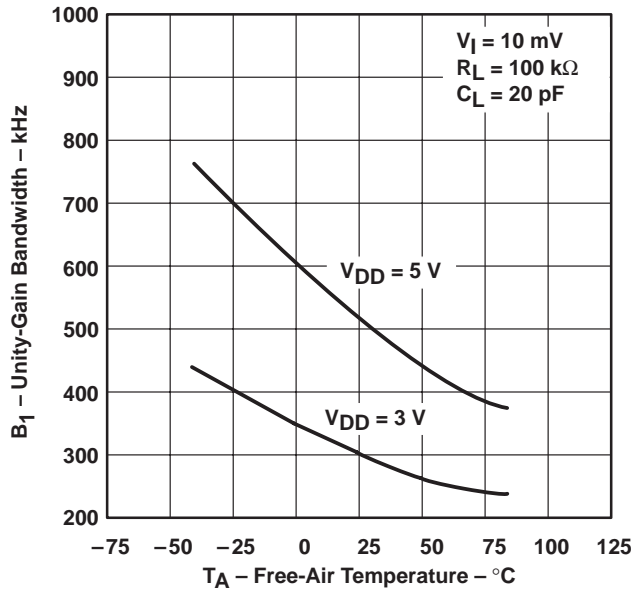


Figure 29

TYPICAL CHARACTERISTICS

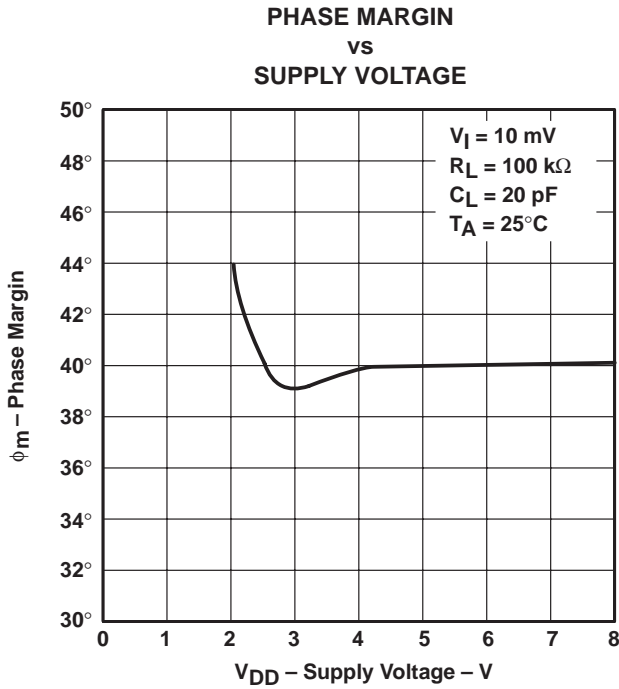


Figure 30

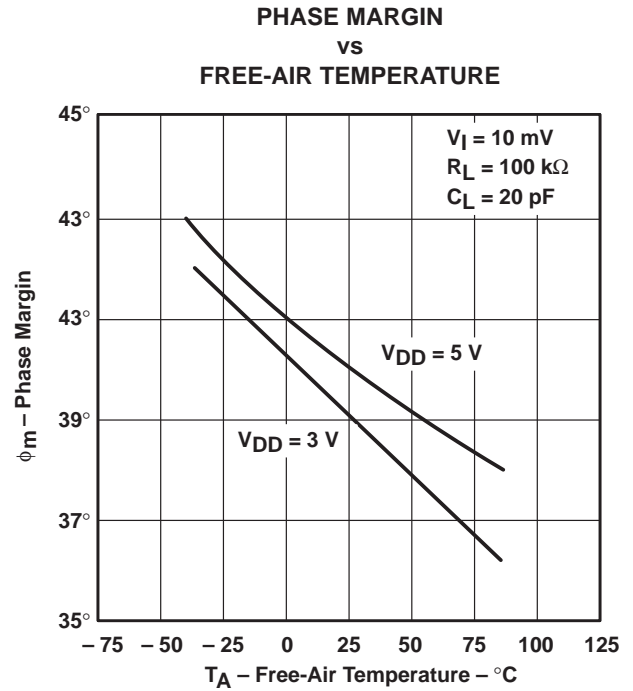


Figure 31

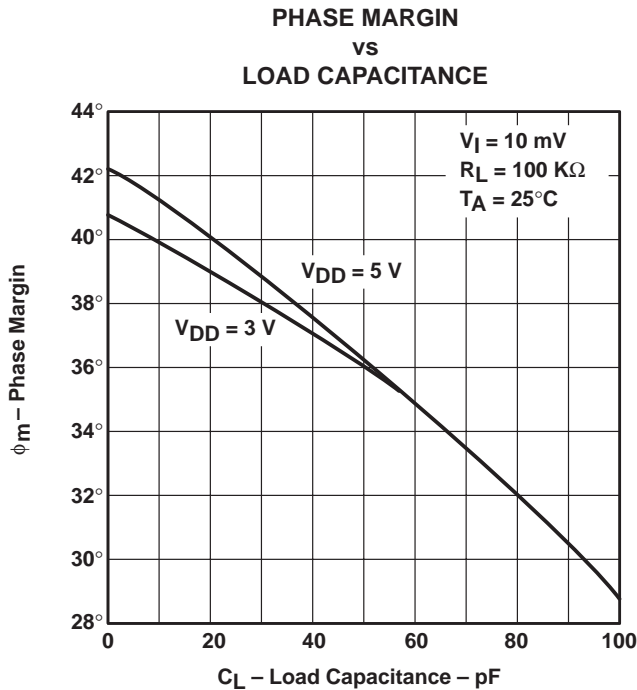


Figure 32

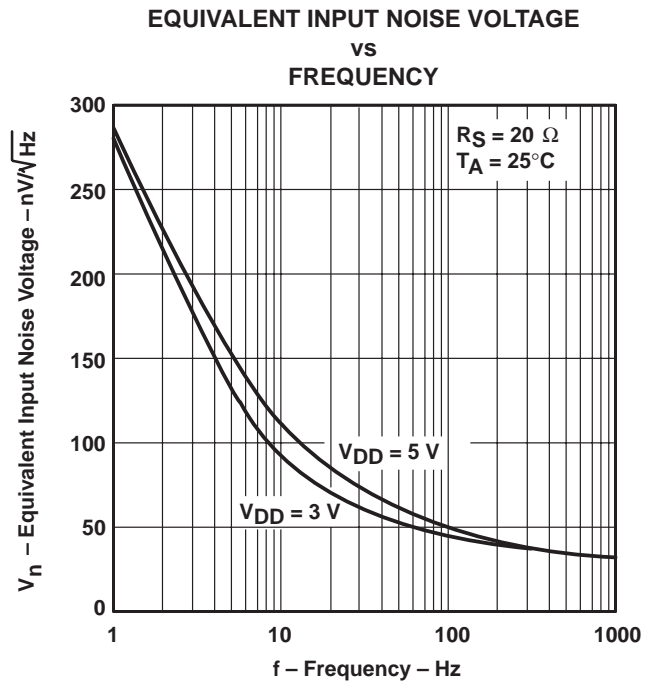


Figure 33

PARAMETER MEASUREMENT INFORMATION

single-supply versus split-supply test circuits

Because the TLV233x is optimized for single-supply operation, circuit configurations used for the various tests often present some inconvenience since the input signal, in many cases, must be offset from ground. This inconvenience can be avoided by testing the device with split supplies and the output load tied to the negative rail. A comparison of single-supply versus split-supply test circuits is shown below. The use of either circuit gives the same result.

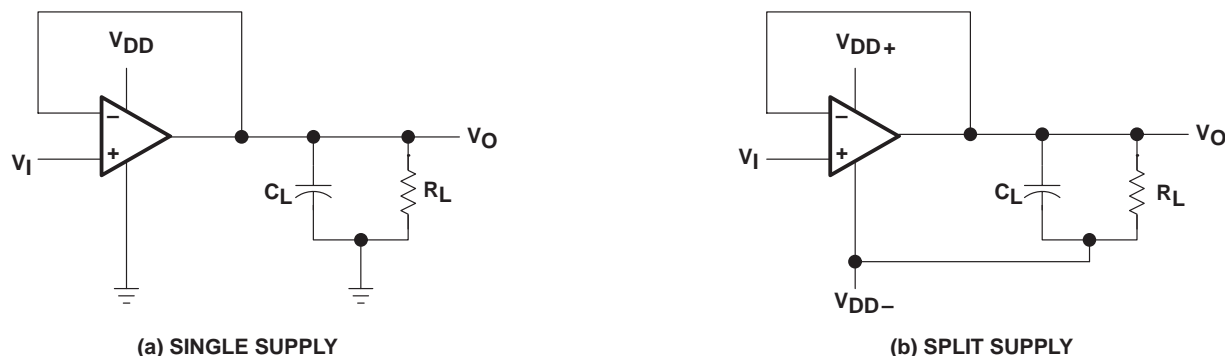


Figure 34. Unity-Gain Amplifier

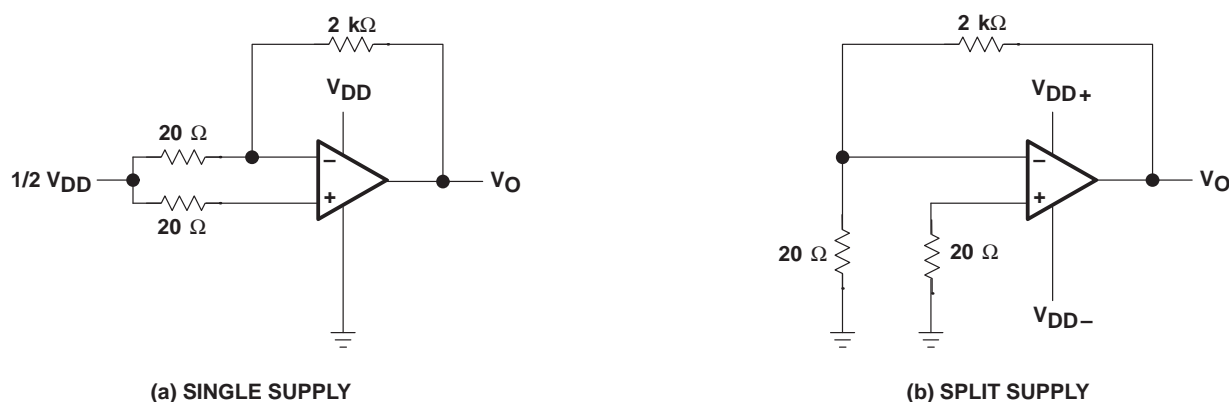


Figure 35. Noise-Test Circuit

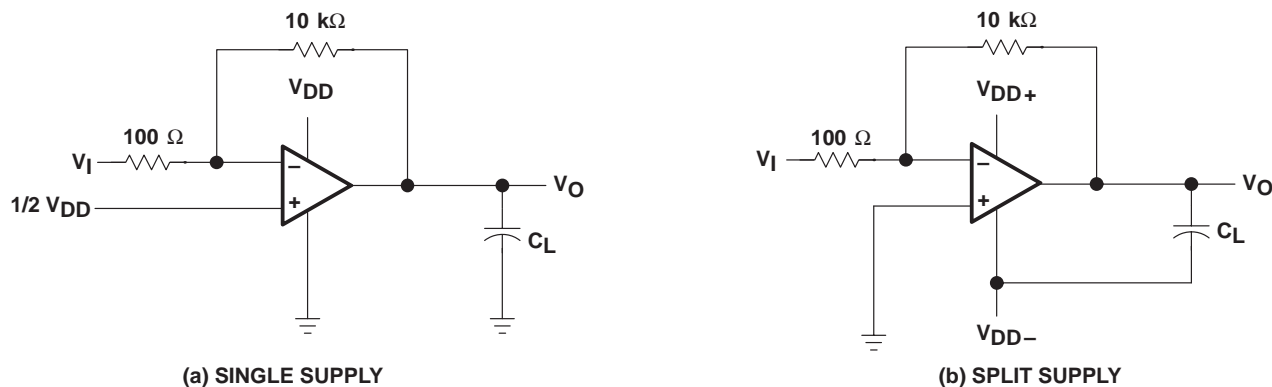


Figure 36. Gain-of-100 Inverting Amplifier

PARAMETER MEASUREMENT INFORMATION

input bias current

Because of the high input impedance of the TLV233x operational amplifier, attempts to measure the input bias current can result in erroneous readings. The bias current at normal ambient temperature is typically less than 1 pA, a value that is easily exceeded by leakages on the test socket. Two suggestions are offered to avoid erroneous measurements:

- Isolate the device from other potential leakage sources. Use a grounded shield around and between the device inputs (see Figure 37). Leakages that would otherwise flow to the inputs are shunted away.
- Compensate for the leakage of the test socket by actually performing an input bias current test (using a picoammeter) with no device in the test socket. The actual input bias current can then be calculated by subtracting the open-socket leakage readings from the readings obtained with a device in the test socket.

Many automatic testers as well as some bench-top operational amplifier testers use the servo-loop technique with a resistor in series with the device input to measure the input bias current (the voltage drop across the series resistor is measured and the bias current is calculated). This method requires that a device be inserted into a test socket to obtain a correct reading; therefore, an open-socket reading is not feasible using this method.

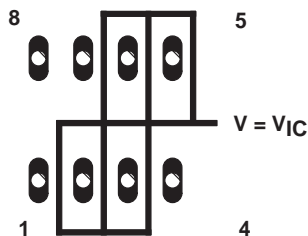


Figure 37. Isolation Metal Around Device Inputs (P package)

low-level output voltage

To obtain low-level supply-voltage operation, some compromise is necessary in the input stage. This compromise results in the device low-level output voltage being dependent on both the common-mode input voltage level as well as the differential input voltage level. When attempting to correlate low-level output readings with those quoted in the electrical specifications, these two conditions should be observed. If conditions other than these are to be used, please refer to the Typical Characteristics section of this data sheet.

input offset voltage temperature coefficient

Erroneous readings often result from attempts to measure temperature coefficient of input offset voltage. This parameter is actually a calculation using input offset voltage measurements obtained at two different temperatures. When one (or both) of the temperatures is below freezing, moisture can collect on both the device and the test socket. This moisture results in leakage and contact resistance which can cause erroneous input offset voltage readings. The isolation techniques previously mentioned have no effect on the leakage since the moisture also covers the isolation metal itself, thereby rendering it useless. These measurements should be performed at temperatures above freezing to minimize error.

full-power response

Full-power response, the frequency above which the operational amplifier slew rate limits the output voltage swing, is often specified two ways: full-linear response and full-peak response. The full-linear response is

PARAMETER MEASUREMENT INFORMATION

generally measured by monitoring the distortion level of the output while increasing the frequency of a sinusoidal input signal until the maximum frequency is found above which the output contains significant distortion. The full-peak response is defined as the maximum output frequency, without regard to distortion, above which full peak-to-peak output swing cannot be maintained.

Because there is no industry-wide accepted value for significant distortion, the full-peak response is specified in this data sheet and is measured using the circuit of Figure 34. The initial setup involves the use of a sinusoidal input to determine the maximum peak-to-peak output of the device (the amplitude of the sinusoidal wave is increased until clipping occurs). The sinusoidal wave is then replaced with a square wave of the same amplitude. The frequency is then increased until the maximum peak-to-peak output can no longer be maintained (Figure 38). A square wave is used to allow a more accurate determination of the point at which the maximum peak-to-peak output is reached.

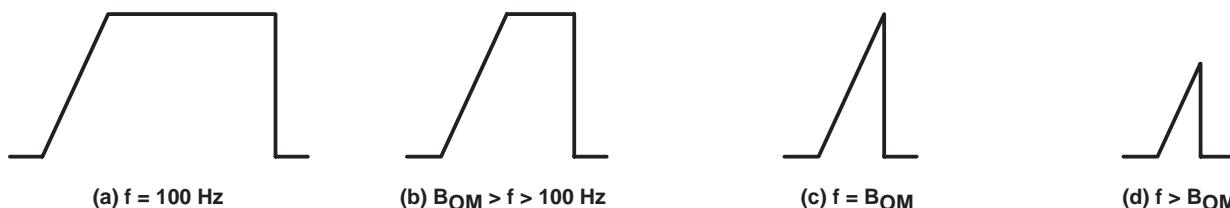


Figure 38. Full-Power-Response Output Signal

test time

Inadequate test time is a frequent problem, especially when testing CMOS devices in a high-volume, short-test-time environment. Internal capacitances are inherently higher in CMOS than in bipolar and BiFET devices and require longer test times than their bipolar and BiFET counterparts. The problem becomes more pronounced with reduced supply levels and lower temperatures.

APPLICATION INFORMATION

single-supply operation

While the TLV233x performs well using dual-power supplies (also called balanced or split supplies), the design is optimized for single-supply operation. This includes an input common-mode voltage range that encompasses ground as well as an output voltage range that pulls down to ground. The supply voltage range extends down to 2 V, thus allowing operation with supply levels commonly available for TTL and HCMOS.

Many single-supply applications require that a voltage be applied to one input to establish a reference level that is above ground. This virtual ground can be generated using two large resistors, but a preferred technique is to use a virtual-ground generator such as the TLE2426 (see Figure 39).

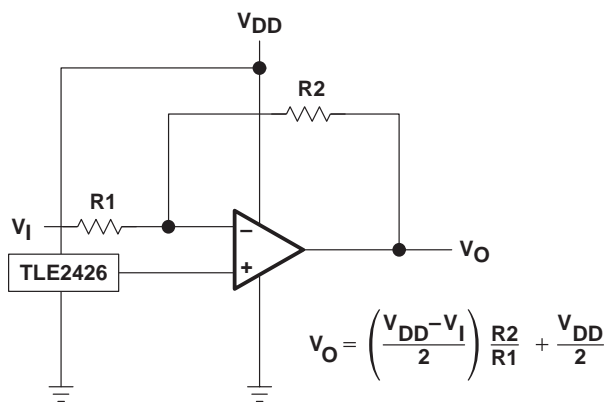


Figure 39. Inverting Amplifier With Voltage Reference

APPLICATION INFORMATION

single-supply operation (continued)

The TLV233x supplies an accurate voltage equal to $V_{DD}/2$, while consuming very little power and is suitable for supply voltages of greater than 4 V. The TLV233x works well in conjunction with digital logic; however, when powering both linear devices and digital logic from the same power supply, the following precautions are recommended:

- Power the linear devices from separate bypassed supply lines (see Figure 40); otherwise, the linear device supply rails can fluctuate due to voltage drops caused by high switching currents in the digital logic.
- Use proper bypass techniques to reduce the probability of noise-induced errors. Single capacitive decoupling is often adequate; however, RC decoupling may be necessary in high-frequency applications.

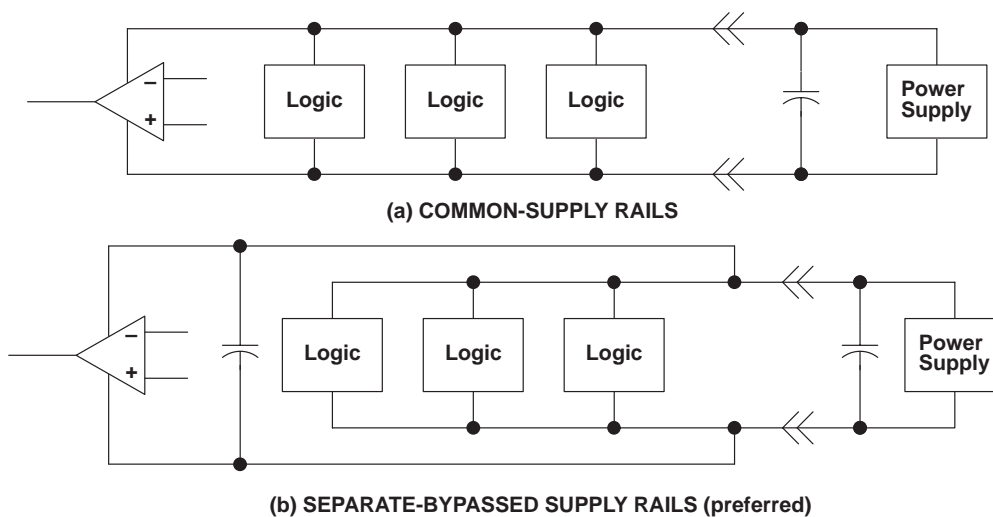


Figure 40. Common Versus Separate Supply Rails

input characteristics

The TLV233x is specified with a minimum and a maximum input voltage that, if exceeded at either input, could cause the device to malfunction. Exceeding this specified range is a common problem, especially in single-supply operation. The lower range limit includes the negative rail, while the upper range limit is specified at $V_{DD} - 1$ V at $T_A = 25^\circ\text{C}$ and at $V_{DD} - 1.2$ V at all other temperatures.

The use of the polysilicon-gate process and the careful input circuit design gives the TLV233x very good input offset voltage drift characteristics relative to conventional metal-gate processes. Offset voltage drift in CMOS devices is highly influenced by threshold voltage shifts caused by polarization of the phosphorus dopant implanted in the oxide. Placing the phosphorus dopant in a conductor (such as a polysilicon gate) alleviates the polarization problem, thus reducing threshold voltage shifts by more than an order of magnitude. The offset voltage drift with time has been calculated to be typically $0.1 \mu\text{V}/\text{month}$, including the first month of operation.

Because of the extremely high input impedance and resulting low bias-current requirements, the TLV233x is well suited for low-level signal processing; however, leakage currents on printed-circuit boards and sockets can easily exceed bias-current requirements and cause a degradation in device performance.

APPLICATION INFORMATION

input characteristics (continued)

It is good practice to include guard rings around inputs (similar to those of Figure 37 in the Parameter Measurement Information section). These guards should be driven from a low-impedance source at the same voltage level as the common-mode input (see Figure 41).

The inputs of any unused amplifiers should be tied to ground to avoid possible oscillation.

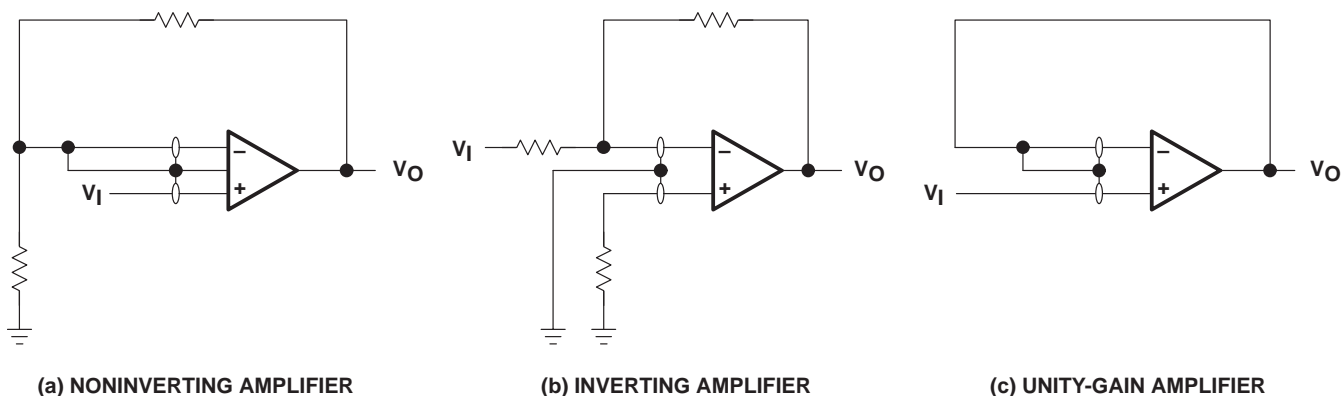


Figure 41. Guard-Ring Schemes

noise performance

The noise specifications in operational amplifiers circuits are greatly dependent on the current in the first-stage differential amplifier. The low input bias-current requirements of the TLV233x results in a very low noise current, which is insignificant in most applications. This feature makes the device especially favorable over bipolar devices when using values of circuit impedance greater than 50 kΩ, since bipolar devices exhibit greater noise currents.

feedback

Operational amplifiers circuits nearly always employ feedback, and since feedback is the first prerequisite for oscillation, caution is appropriate. Most oscillation problems result from driving capacitive loads and ignoring stray input capacitance. A small-value capacitor connected in parallel with the feedback resistor is an effective remedy (see Figure 42). The value of this capacitor is optimized empirically.

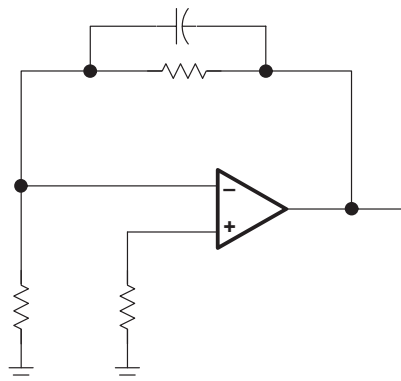


Figure 42. Compensation for Input Capacitance

electrostatic-discharge protection

The TLV233x incorporates an internal electrostatic-discharge (ESD)-protection circuit that prevents functional failures at voltages up to 2000 V as tested under MIL-PRF-38535, Method 3015.2. Care should be exercised, however, when handling these devices as exposure to ESD may result in the degradation of the device parametric performance. The protection circuit also causes the input bias currents to be temperature dependent and have the characteristics of a reverse-biased diode.

APPLICATION INFORMATION

latch-up

Because CMOS devices are susceptible to latch-up due to their inherent parasitic thyristors, the TLV233x inputs and outputs are designed to withstand –100-mA surge currents without sustaining latch-up; however, techniques should be used to reduce the chance of latch-up whenever possible. Internal-protection diodes should not by design be forward biased. Applied input and output voltage should not exceed the supply voltage by more than 300 mV. Care should be exercised when using capacitive coupling on pulse generators. Supply transients should be shunted by the use of decoupling capacitors (0.1 μF typical) located across the supply rails as close to the device as possible.

The current path established if latch-up occurs is usually between the positive supply rail and ground and can be triggered by surges on the supply lines and/or voltages on either the output or inputs that exceed the supply voltage. Once latch-up occurs, the current flow is limited only by the impedance of the power supply and the forward resistance of the parasitic thyristor and usually results in the destruction of the device. The chance of latch-up occurring increases with increasing temperature and supply voltages.

output characteristics

The output stage of the TLV233x is designed to sink and source relatively high amounts of current (see Typical Characteristics). If the output is subjected to a short-circuit condition, this high-current capability can cause device damage under certain conditions. Output current capability increases with supply voltage.

Although the TLV233x possesses excellent high-level output voltage and current capability, methods are available for boosting this capability if needed. The simplest method involves the use of a pullup resistor (R_P) connected from the output to the positive supply rail (see Figure 43). There are two disadvantages to the use of this circuit. First, the NMOS pulldown transistor N4 (see equivalent schematic) must sink a comparatively large amount of current. In this circuit, N4 behaves like a linear resistor with an on resistance between approximately 60 Ω and 180 Ω, depending on how hard the operational amplifier input is driven. With very low values of R_P , a voltage offset from 0 V at the output occurs. Secondly, pullup resistor R_P acts as a drain load to N4 and the gain of the operational amplifier is reduced at output voltage levels where N5 is not supplying the output current.

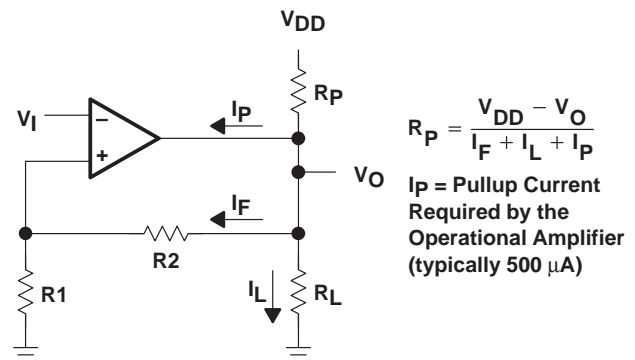


Figure 43. Resistive Pullup to Increase V_{OH}

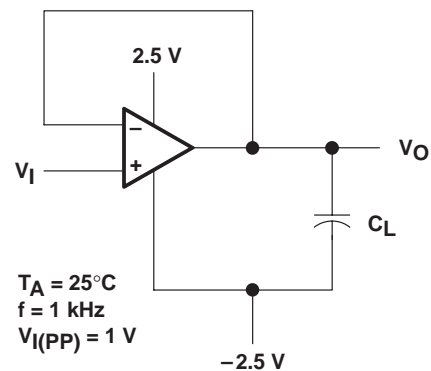
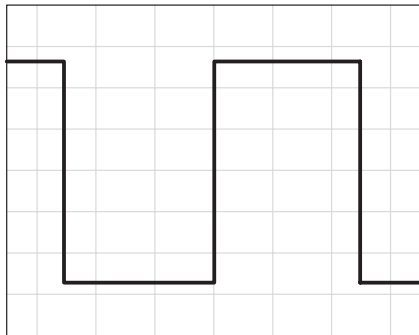


Figure 44. Test Circuit for Output Characteristics

All operating characteristics of the TLV233x are measured using a 20-pF load. The device drives higher capacitive loads; however, as output load capacitance increases, the resulting response pole occurs at lower frequencies thereby causing ringing, peaking, or even oscillation (see Figure 44 and Figure 45). In many cases, adding some compensation in the form of a series resistor in the feedback loop alleviates the problem.

APPLICATION INFORMATION

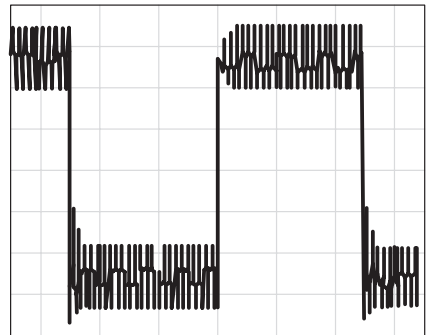
output characteristics (continued)



(a) $C_L = 20 \text{ pF}$, $R_L = \text{NO LOAD}$



(b) $C_L = 170 \text{ pF}$, $R_L = \text{NO LOAD}$



(c) $C_L = 190 \text{ pF}$, $R_L = \text{NO LOAD}$

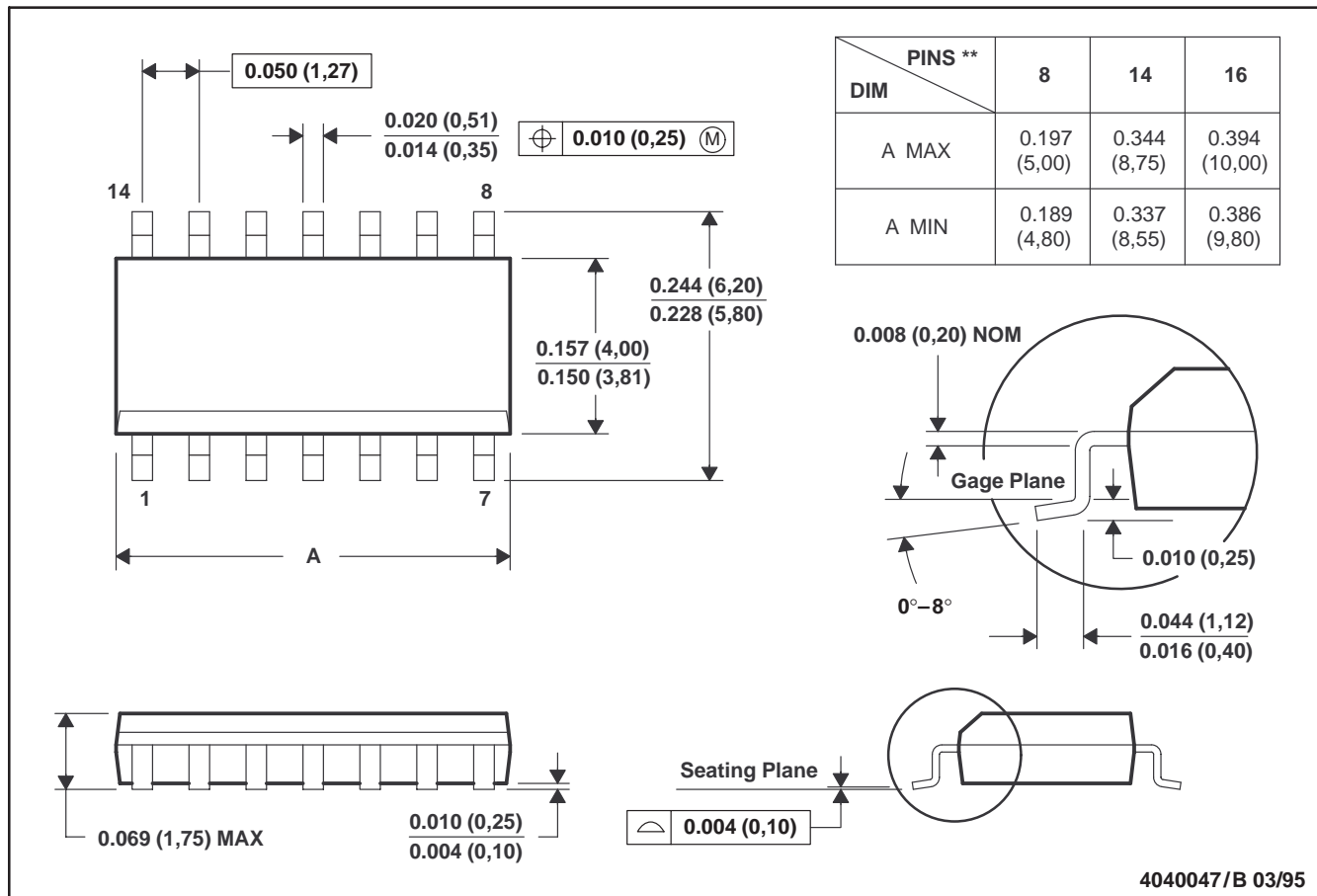
Figure 45. Effect of Capacitive Loads

MECHANICAL INFORMATION

D (R-PDSO-G**)

PLASTIC SMALL-OUTLINE PACKAGE

14 PIN SHOWN



- NOTES: A. All linear dimensions are in inches (millimeters).
 B. This drawing is subject to change without notice.
 C. Body dimensions do not include mold flash or protrusion, not to exceed 0.006 (0,15).
 D. Four center pins are connected to die mount pad.
 E. Falls within JEDEC MS-012

TLV2332, TLV2332Y, TLV2334, TLV2334Y
**LinCMOS™ LOW-VOLTAGE MEDIUM-POWER
 OPERATIONAL AMPLIFIERS**

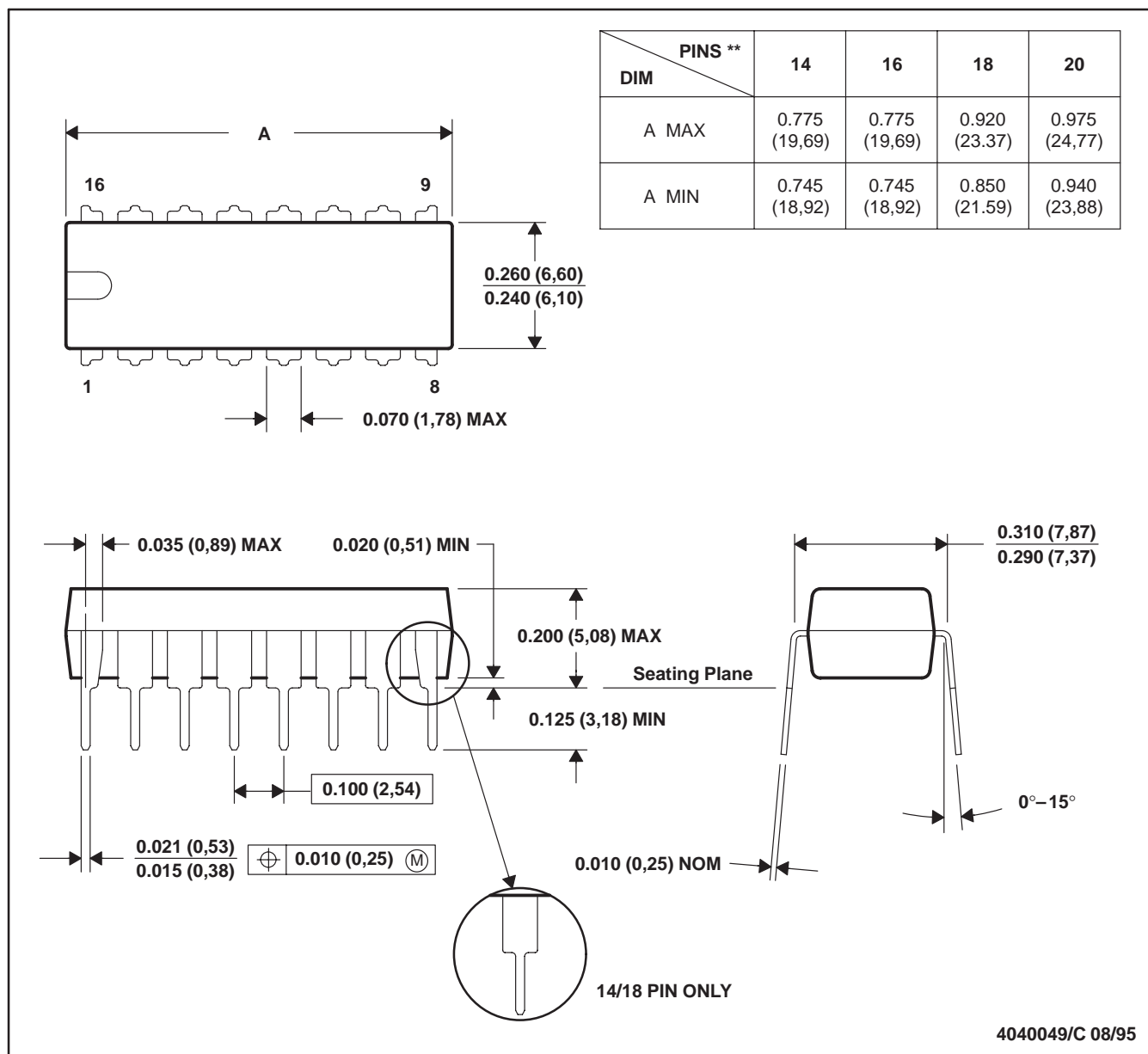
SLOS189 – FEBRUARY 1997

MECHANICAL INFORMATION

N (R-PDIP-T)**

PLASTIC DUAL-IN-LINE PACKAGE

16 PIN SHOWN

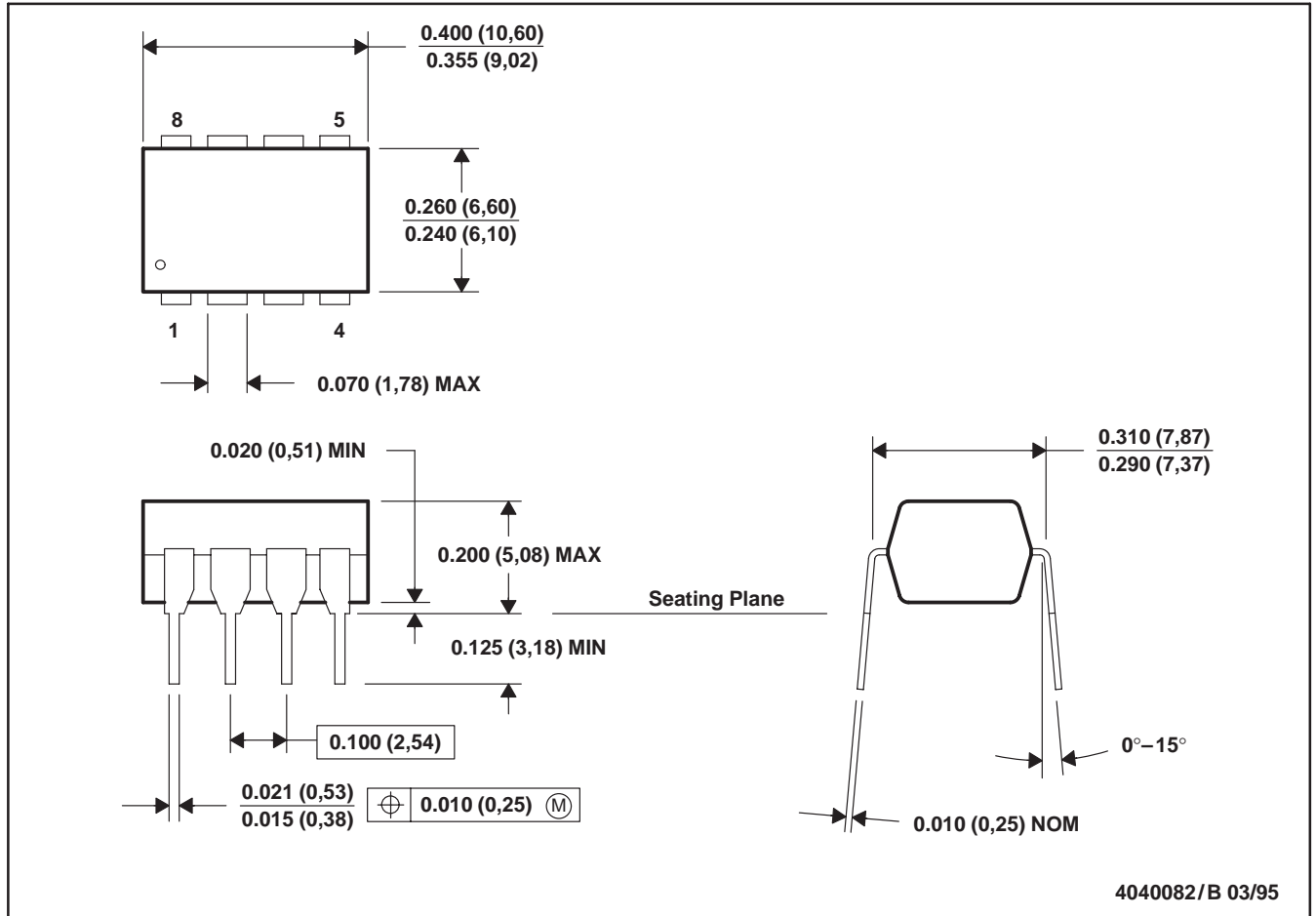


- NOTES: A. All linear dimensions are in inches (millimeters).
 B. This drawing is subject to change without notice.
 C. Falls within JEDEC MS-001 (20 pin package is shorter than MS-001.)

MECHANICAL INFORMATION

P (R-PDIP-T8)

PLASTIC DUAL-IN-LINE PACKAGE



- NOTES: A. All linear dimensions are in inches (millimeters).
 B. This drawing is subject to change without notice.
 C. Falls within JEDEC MS-001

TLV2332, TLV2332Y, TLV2334, TLV2334Y
**LinCMOS™ LOW-VOLTAGE MEDIUM-POWER
 OPERATIONAL AMPLIFIERS**

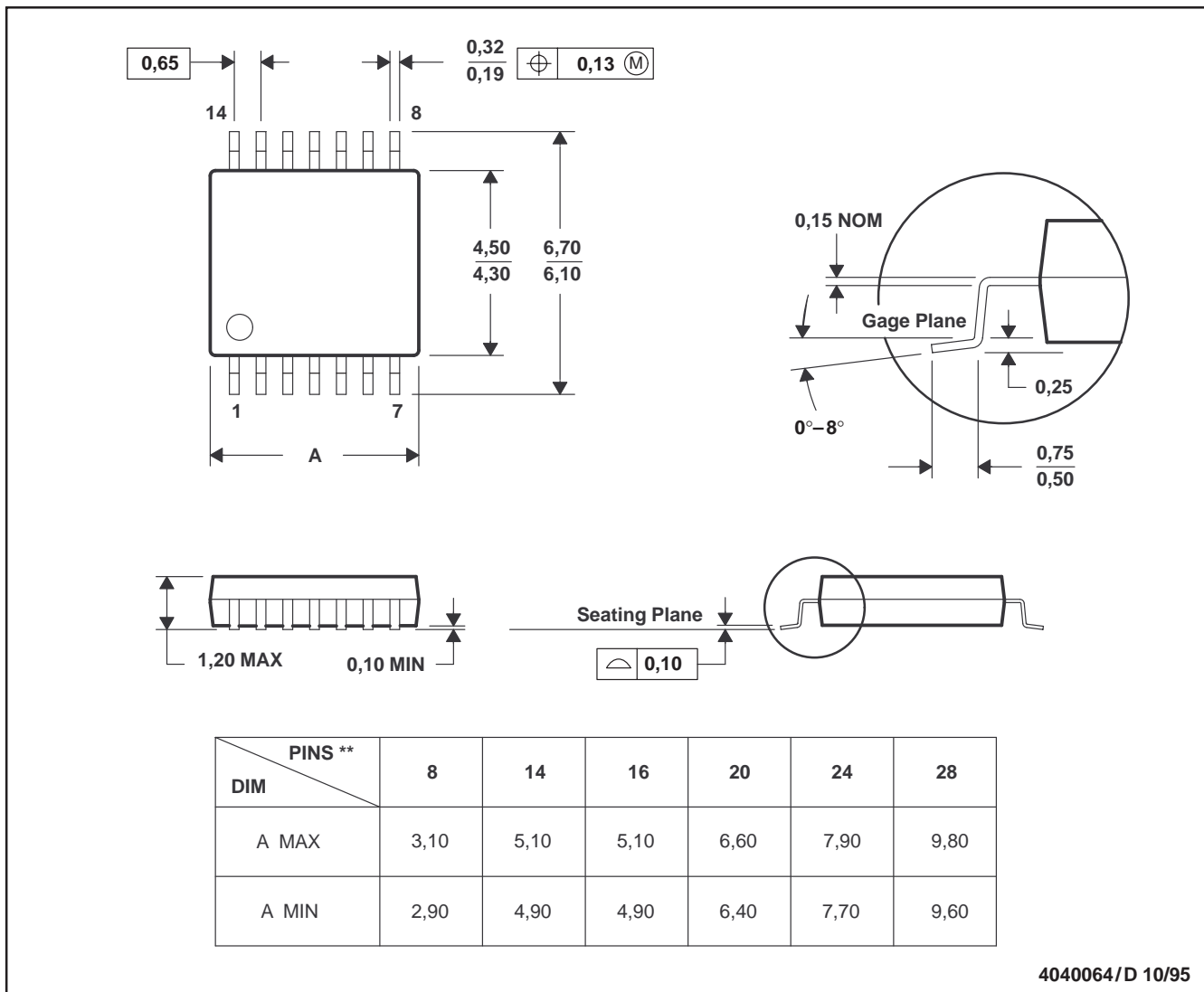
SLOS189 – FEBRUARY 1997

MECHANICAL INFORMATION

PW (R-PDSO-G)**

PLASTIC SMALL-OUTLINE PACKAGE

14 PIN SHOWN



4040064/D 10/95

- NOTES: A. All linear dimensions are in millimeters.
 B. This drawing is subject to change without notice.
 C. Body dimensions do not include mold flash or protrusion not to exceed 0,15.
 D. Falls within JEDEC MO-153

IMPORTANT NOTICE

Texas Instruments and its subsidiaries (TI) reserve the right to make changes to their products or to discontinue any product or service without notice, and advise customers to obtain the latest version of relevant information to verify, before placing orders, that information being relied on is current and complete. All products are sold subject to the terms and conditions of sale supplied at the time of order acknowledgement, including those pertaining to warranty, patent infringement, and limitation of liability.

TI warrants performance of its semiconductor products to the specifications applicable at the time of sale in accordance with TI's standard warranty. Testing and other quality control techniques are utilized to the extent TI deems necessary to support this warranty. Specific testing of all parameters of each device is not necessarily performed, except those mandated by government requirements.

CERTAIN APPLICATIONS USING SEMICONDUCTOR PRODUCTS MAY INVOLVE POTENTIAL RISKS OF DEATH, PERSONAL INJURY, OR SEVERE PROPERTY OR ENVIRONMENTAL DAMAGE ("CRITICAL APPLICATIONS"). TI SEMICONDUCTOR PRODUCTS ARE NOT DESIGNED, AUTHORIZED, OR WARRANTED TO BE SUITABLE FOR USE IN LIFE-SUPPORT DEVICES OR SYSTEMS OR OTHER CRITICAL APPLICATIONS. INCLUSION OF TI PRODUCTS IN SUCH APPLICATIONS IS UNDERSTOOD TO BE FULLY AT THE CUSTOMER'S RISK.

In order to minimize risks associated with the customer's applications, adequate design and operating safeguards must be provided by the customer to minimize inherent or procedural hazards.

TI assumes no liability for applications assistance or customer product design. TI does not warrant or represent that any license, either express or implied, is granted under any patent right, copyright, mask work right, or other intellectual property right of TI covering or relating to any combination, machine, or process in which such semiconductor products or services might be or are used. TI's publication of information regarding any third party's products or services does not constitute TI's approval, warranty or endorsement thereof.