

# SN75439 QUADRUPLE PERIPHERAL DRIVER

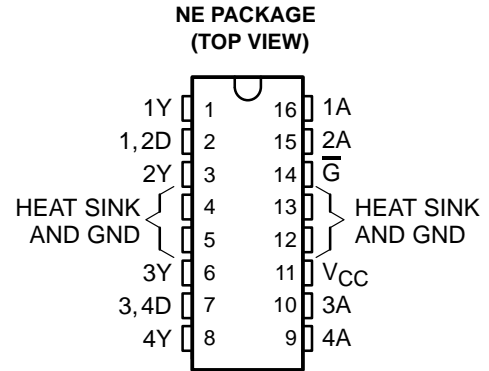
SLRS013A – MAY 1988 – REVISED NOVEMBER 1989

- 1.3-A Current Capability Each Channel
- Saturating Outputs With Low On-State Resistance
- Two Inverting and Two Noninverting Driver Channels With Common Active-Low Enable Input
- Key Application Is as a Complete Full-Step 4-Phase DC Stepper Motor Driver Using Only Three Directly Connected Logic Control Signal Lines From Standard Microprocessors
- High-Impedance Inputs Compatible With TTL or CMOS Levels
- Very Low Standby Power . . . 10 mW Typ
- 50-V Noninductive Switching Voltage Capability
- 40-V Inductive Switching Voltage Capability
- Output Clamp Diodes for Inductive Transient Protection
- 2-W Power Package

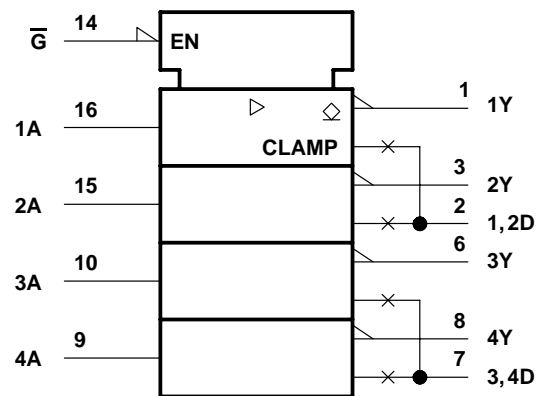
## description

The SN75439 quadruple peripheral driver is designed for use in systems requiring high current, high voltage, and high load power. The device features two inverting and two noninverting open-collector outputs with a common-enable input that, when taken high, disables all four outputs. By pairing each inverting channel with a corresponding noninverting channel (such as channel 1 paired with channel 2 and channel 3 paired with channel 4), the device may be used as a complete full-step 4-phase dc stepper-motor driver using only two input logic control signals plus the enable signal, as shown in Figure 3. Other applications include driving relays, lamps, solenoids, motors, LEDs, transmission lines, hammers, and other high-power-demand loads.

The SN75439 is characterized for operation from 0°C to 70°C.



## logic symbol†



† This symbol is in accordance with ANSI/IEEE Std 91-1984 and IEC publication 617-12.

## Function Tables

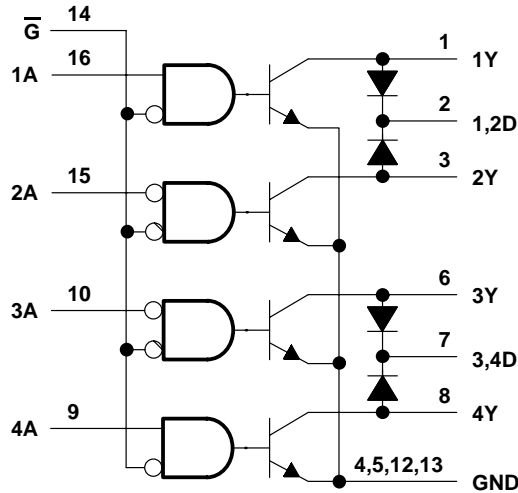
EACH CHANNEL 1 OR CHANNEL 4 DRIVER			EACH CHANNEL 2 OR CHANNEL 3 DRIVER		
INPUTS		OUTPUT	INPUTS		OUTPUT
A	$\bar{G}$	Y	A	$\bar{G}$	Y
H	L	L	L	L	L
L	X	H	H	X	H
X	H	H	X	H	H

H = high level, L = low level X = irrelevant

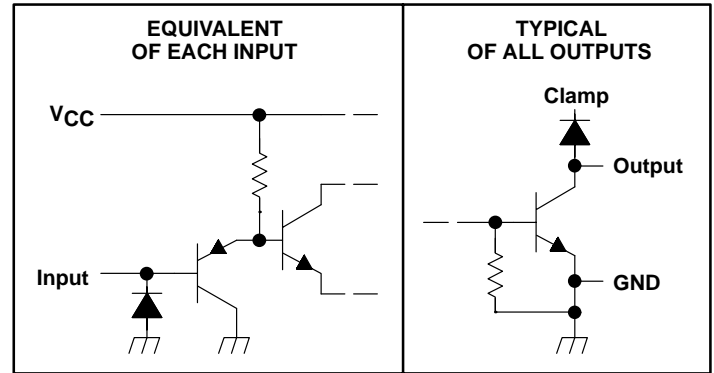
# SN75439 QUADRUPLE PERIPHERAL DRIVER

SLRS013A – MAY 1988 – REVISED NOVEMBER 1989

## logic diagram (positive logic)



## schematics of inputs and outputs



## absolute maximum ratings over operating temperature range (unless otherwise noted)

Supply voltage range, $V_{CC}$ (see Note 1)	-0.3 V to 7 V
Input voltage, $V_I$	7 V
Output voltage range, $V_O$	-0.3 V to 52 V
Output voltage, $V_O$ (inductive load)	43 V
Output clamp-diode terminal voltage range, $V_{OK}$	-0.3 V to 52 V
Input current, $I_I$	-15 mA
Peak sink output current, $I_{OM}$ (nonrepetitive, $t_w \leq 0.1$ ms) (see Note 2)	1.5 A
(repetitive, $t_w \leq 10$ ms, duty cycle $\leq 50\%$ )	1.4 A
Continuous sink output current, $I_O$ (see Note 2)	1.3 A
Peak output clamp diode current, $I_{OKM}$ (nonrepetitive, $t_w \leq 0.1$ ms) (see Note 2)	1.5 A
(repetitive, $t_w \leq 10$ ms, duty cycle $\leq 50\%$ )	1.3 A
Continuous total dissipation at (or below) 25°C free-air temperature (see Note 3)	2075 mW
Continuous total dissipation at (or below) 65°C case temperature (see Note 3)	5000 mW
Operating case or virtual junction temperature range	-55°C to 150°C
Storage temperature range	-65°C to 150°C
Lead temperature 1,6 mm (1/16 inch) from case for 10 seconds	260°C

- NOTES:
- All voltage values are with respect to the network GND (unless otherwise specified).
  - All four channels of this device may conduct rated current simultaneously; however, power dissipation average over a short time interval must fall within the continuous dissipation range.
  - For operation above 25°C free-air temperature, derate linearly at the rate of 16.6 mW/°C. For operation above 65°C case temperature, derate linearly at the rate of 59 mW/°C. To avoid exceeding the design maximum virtual junction temperature, these ratings should not be exceeded.

**recommended operating conditions**

	MIN	NOM	MAX	UNIT
Supply voltage, $V_{CC}$	4.75	5	5.25	V
Output supply voltage in inductive switching circuit, $V_S$ (see Figure 2)			40	V
High-level input voltage, $V_{IH}$	2		5.25	V
Low-level input voltage, $V_{IL}$	-0.3†		0.8	V
Low-level output current, $I_{OL}$			1.3	A
Operating free-air temperature, $T_A$	0	25	70	°C

† The algebraic convention, in which the least positive (most negative) value is designated minimum, is used in this data sheet for logic voltage levels.

**electrical characteristics over recommended ranges of operating free-air temperature and supply voltages (unless otherwise noted)**

PARAMETER		TEST CONDITIONS		MIN	TYP†	MAX	UNIT
$V_{IK}$	Input clamp voltage	$I_I = -12$ mA		-0.9	-1.5		V
$V_{OL}$	Low-level output voltage		See Note 4	$I_{OL} = 0.5$ A		0.2	0.35
				$I_{OL} = 1$ A		0.4	0.7
				$I_{OL} = 1.3$ A		0.5	0.9
$V_{F(K)}$	Output clamp-diode forward voltage		See Note 4	$I_F = 0.5$ A		1.1	1.9
				$I_F = 1$ A		1.3	2.2
				$I_F = 1.3$ A		1.4	2.4
$I_{OH}$	High-level output current	$V_{OH} = 50$ V, $V_{OK} = 50$ V				100	μA
$I_{IH}$	High-level input current	$V_I = V_{IH}$				10	μA
$I_{IL}$	Low-level input current	$V_I = 0$ to 0.8 V				-10	μA
$I_{R(K)}$	Output clamp-diode reverse current (at Y output)	$V_R = 50$ V, $V_O = 0$				100	μA
$I_{CC}$	Supply current	All outputs at high level (off)			2	8	mA
		All outputs at low level (on)			140	200	
		Two outputs at high level (off) and two outputs at low level (on)			70	110	

† All typical values are at  $V_{CC} = 5$  V,  $T_A = 25^\circ\text{C}$ .

NOTE 4: These parameters must be measured using pulse techniques,  $t_W = 1$  ms, duty cycle  $\leq 10\%$ .

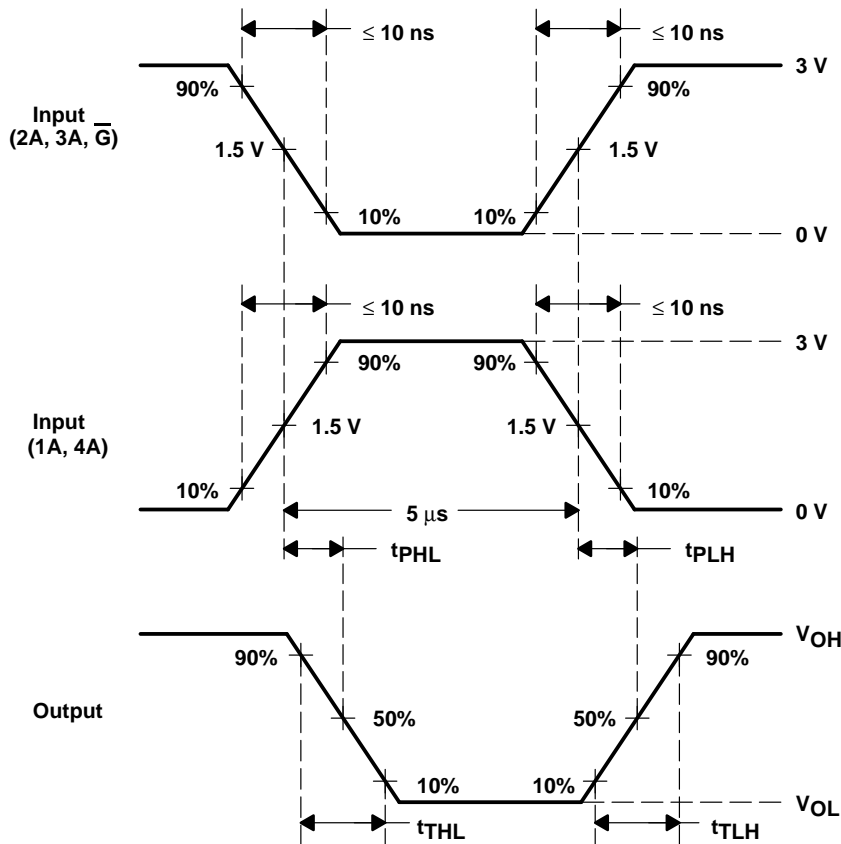
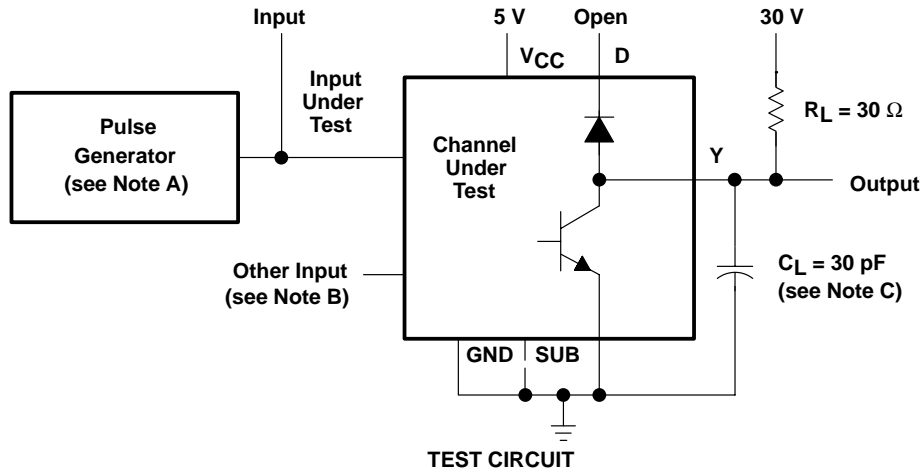
**switching characteristics,  $V_{CC} = 5$  V,  $T_A = 25^\circ\text{C}$**

PARAMETER		TEST CONDITIONS		MIN	TYP	MAX	UNIT
$t_{PLH}$	Propagation delay time, low-to-high-level output				1500		ns
$t_{PHL}$	Propagation delay time, high-to-low-level output	$I_{OL} \approx 1$ A, $R_L = 30 \Omega$ ,	$C_L = 30$ pF, See Figure 1		100		ns
$t_{TLH}$	Transition time, low-to-high-level output				170		ns
$t_{THL}$	Transition time, high-to-low-level output				50		ns
$V_{OH}$	High-level output voltage (after switching inductive load)	$V_S = 40$ V, $R_L = 31 \Omega$ ,	$I_O \approx 1.3$ A, See Figure 2	$V_S - 100$			mV

# SN75439 QUADRUPLE PERIPHERAL DRIVER

SLRS013A – MAY 1988 – REVISED NOVEMBER 1989

## PARAMETER MEASUREMENT INFORMATION

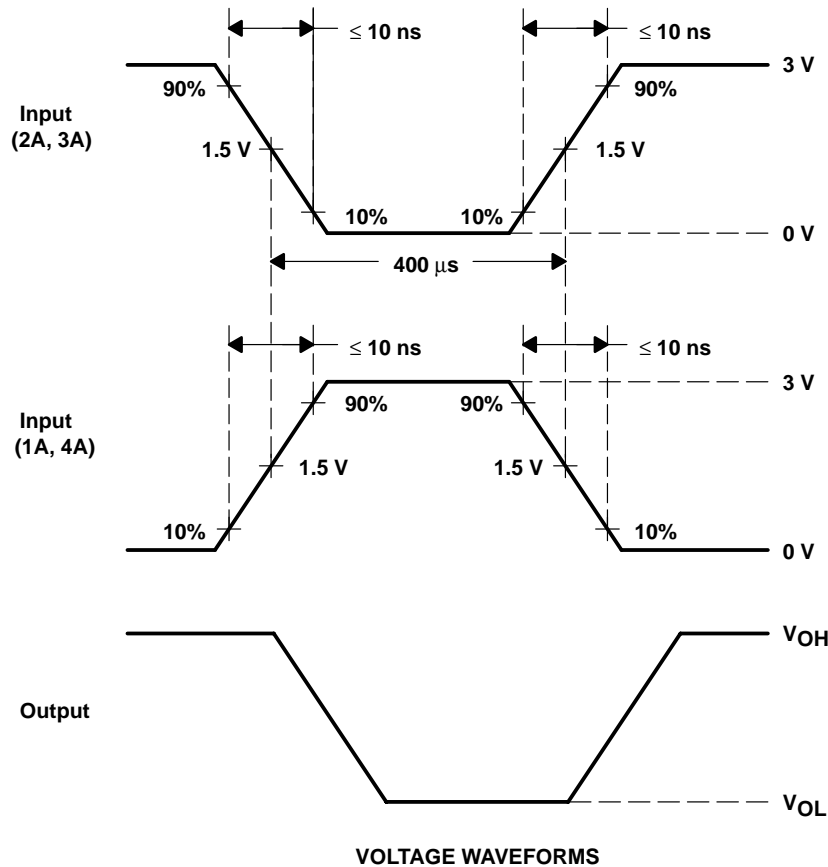
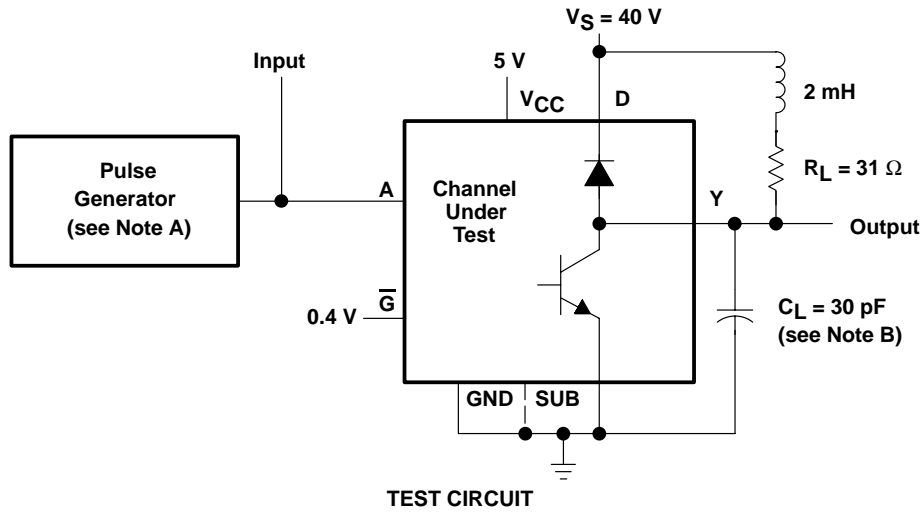


### VOLTAGE WAVEFORMS

- NOTES: A. The pulse generator has the following characteristics: duty cycle  $\leq 1\%$ ,  $Z_O = 50\ \Omega$ .  
 B. Enable input  $\bar{G}$  is at 0 V if input A is used as the switching input. When  $\bar{G}$  is used as the switching input, the corresponding A input is at 0 V if testing channel 2 or channel 3 or at 3 V if testing channel 1 or channel 4.  
 C.  $C_L$  includes probe and jig capacitance.

Figure 1. Test Circuit and Voltage Waveforms, Switching Characteristics

PARAMETER MEASUREMENT INFORMATION



- NOTES: A. The pulse generator has the following characteristics: duty cycle  $\leq 1\%$ ,  $Z_O = 50\ \Omega$ .  
 B.  $C_L$  includes probe and jig capacitance.

**Figure 2. Output Latch-Up Test Circuit and Voltage Waveforms**

# SN75439 QUADRUPLE PERIPHERAL DRIVER

SLRS013A – MAY 1988 – REVISED NOVEMBER 1989

## APPLICATION INFORMATION

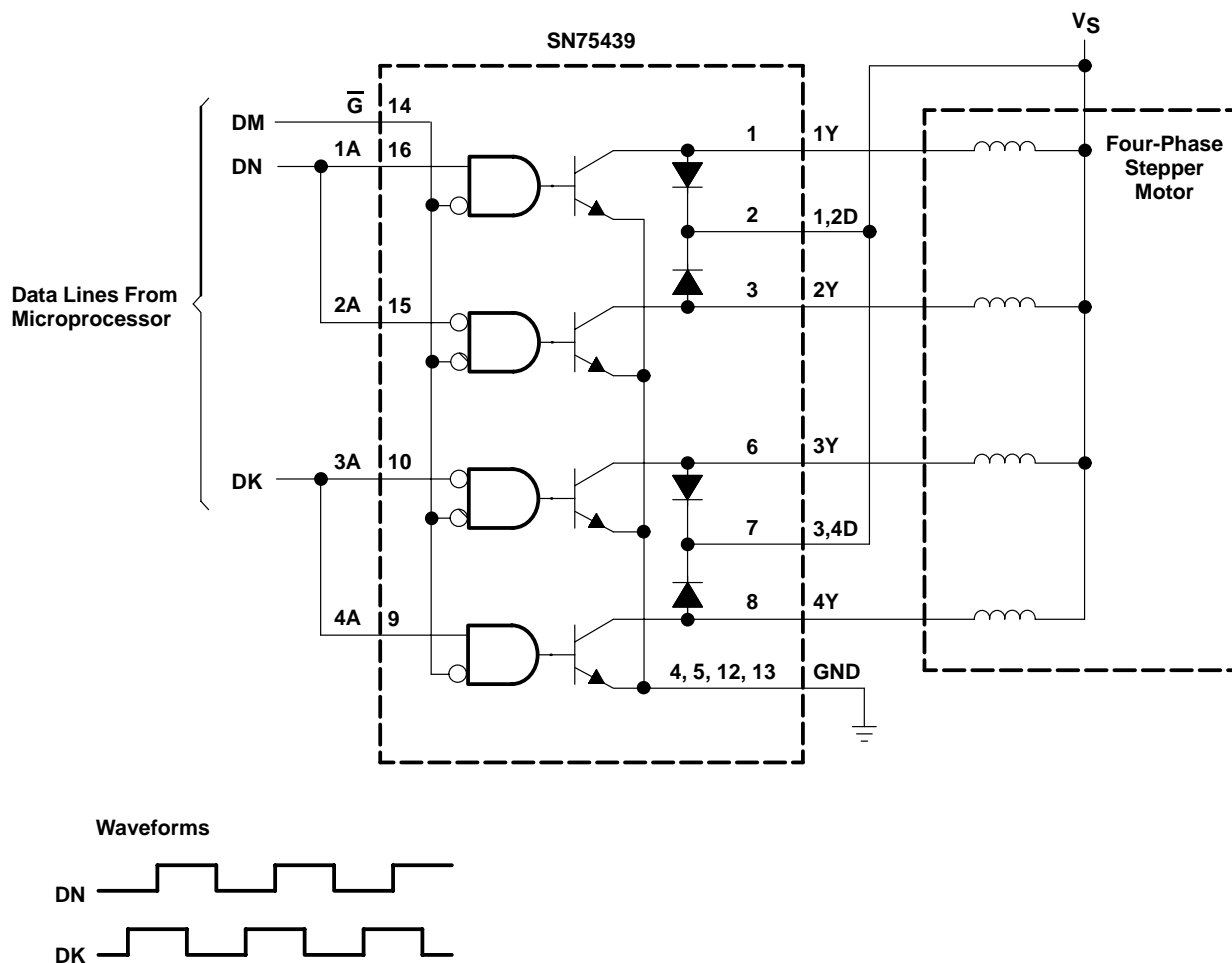


Figure 3. Full-Step Four-Phase Stepper-Motor Driver

## **IMPORTANT NOTICE**

Texas Instruments (TI) reserves the right to make changes to its products or to discontinue any semiconductor product or service without notice, and advises its customers to obtain the latest version of relevant information to verify, before placing orders, that the information being relied on is current.

TI warrants performance of its semiconductor products and related software to the specifications applicable at the time of sale in accordance with TI's standard warranty. Testing and other quality control techniques are utilized to the extent TI deems necessary to support this warranty. Specific testing of all parameters of each device is not necessarily performed, except those mandated by government requirements.

Certain applications using semiconductor products may involve potential risks of death, personal injury, or severe property or environmental damage ("Critical Applications").

**TI SEMICONDUCTOR PRODUCTS ARE NOT DESIGNED, INTENDED, AUTHORIZED, OR WARRANTED TO BE SUITABLE FOR USE IN LIFE-SUPPORT APPLICATIONS, DEVICES OR SYSTEMS OR OTHER CRITICAL APPLICATIONS.**

Inclusion of TI products in such applications is understood to be fully at the risk of the customer. Use of TI products in such applications requires the written approval of an appropriate TI officer. Questions concerning potential risk applications should be directed to TI through a local SC sales office.

In order to minimize risks associated with the customer's applications, adequate design and operating safeguards should be provided by the customer to minimize inherent or procedural hazards.

TI assumes no liability for applications assistance, customer product design, software performance, or infringement of patents or services described herein. Nor does TI warrant or represent that any license, either express or implied, is granted under any patent right, copyright, mask work right, or other intellectual property right of TI covering or relating to any combination, machine, or process in which such semiconductor products or services might be or are used.