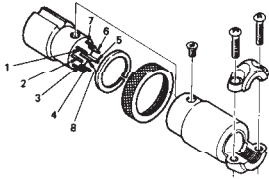


(4) MIC Jack

This 8-pin jack accepts the MH-10F8 Scanning Speaker/Microphone or the MH-15C8 DTMF Microphone. Pinout is shown below.



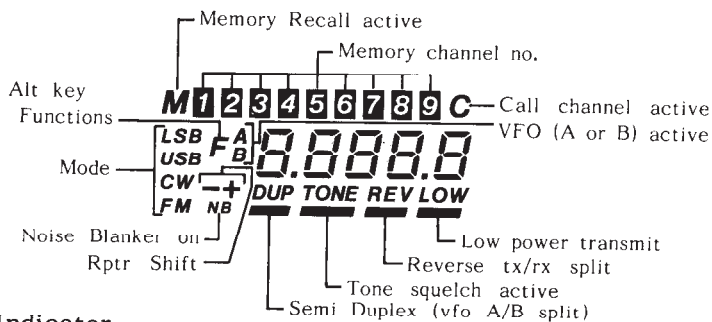
PIN 1 : UP	PIN 5 : NC
PIN 2 : +B	PIN 6 : P11
PIN 3 : DWN	PIN 7 : GND
PIN 4 : SPKR	PIN 8 : MIC

(5) CLAR Control

This (CLARifier) control allows approximately ± 1 kHz adjustment of the receiving frequency, for fine tuning a signal, especially in SSB and CW modes. Remember to set this control at the center detent for proper frequency display during normal tuning or scanning.

(6) Liquid Crystal Display

The following diagram shows all of the display segments. DUP, TONE, REV and LOW are printed on the display filter, and their active status is indicated by a bar beneath the label.



(7) BUSY Indicator

During reception, this green LED glows whenever a signal (or noise) is received that is strong enough to open the squelch. During transmission, this LED flickers with peaks in modulation. Overmodulation causes the LED to glow at full brightness.