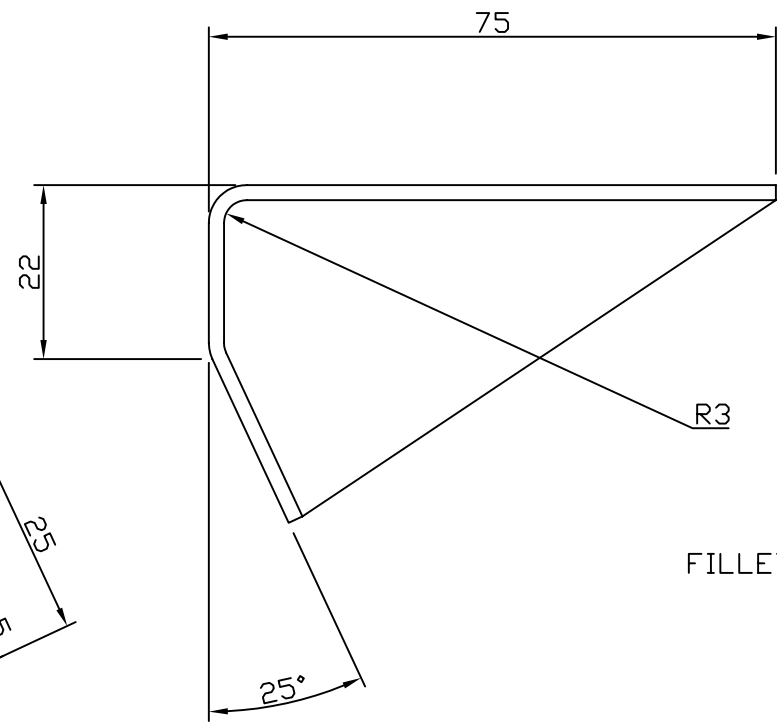
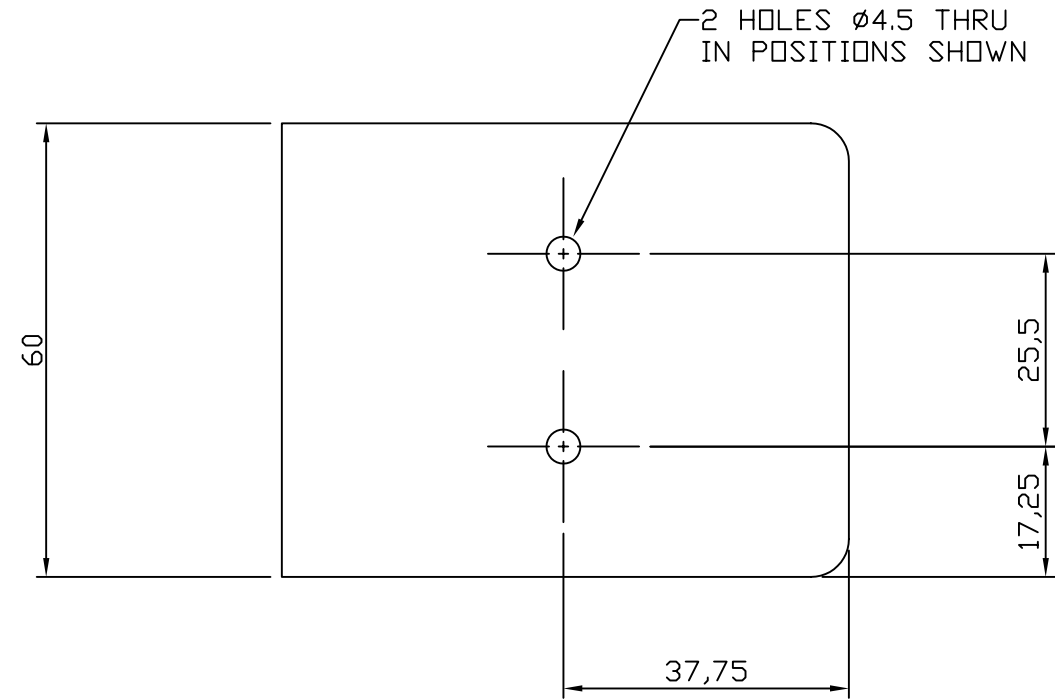
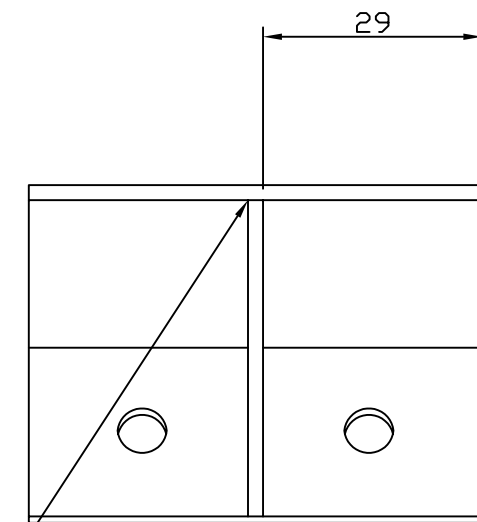


MOUNTING BRACKET, INNER
PART No.: 595493

SCALE: 1:1
MATERIAL: 14SWG MILD STEEL
ALL RADII 5mm UNLESS OTHERWISE STATED



FILLET WELD BOTH SIDES
ALL EDGES



2 HOLES $\phi 6.5$ THRU
IN POSITIONS SHOWN

