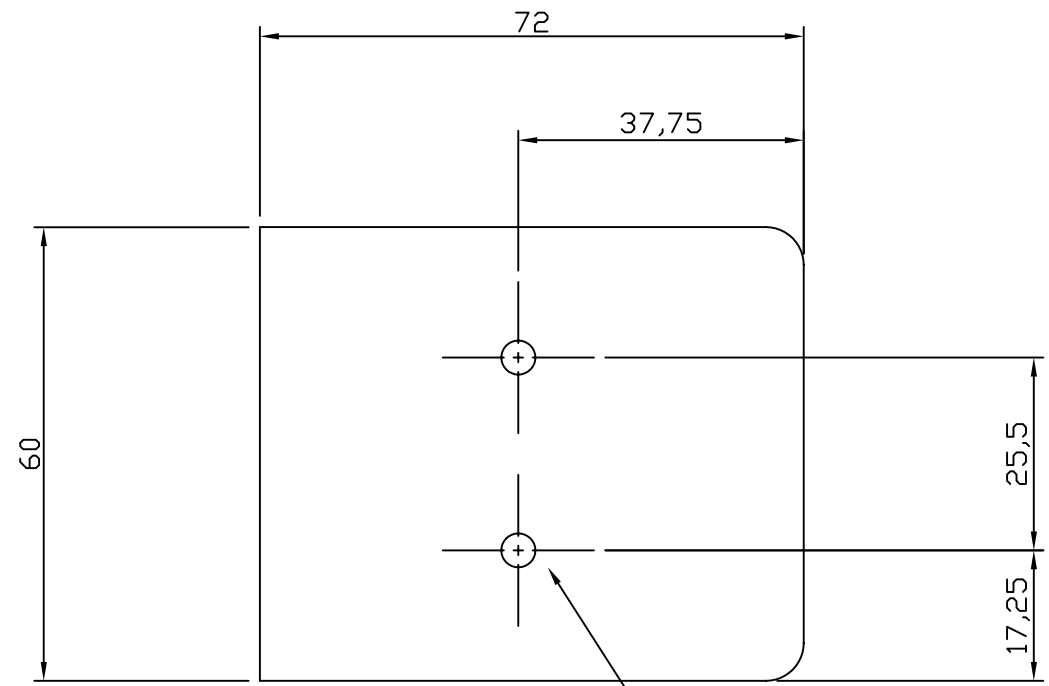
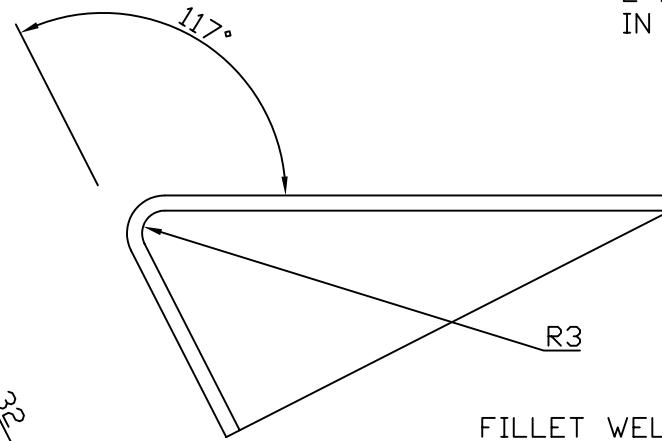


MOUNTING BRACKET, OUTER  
PART No.: 595496

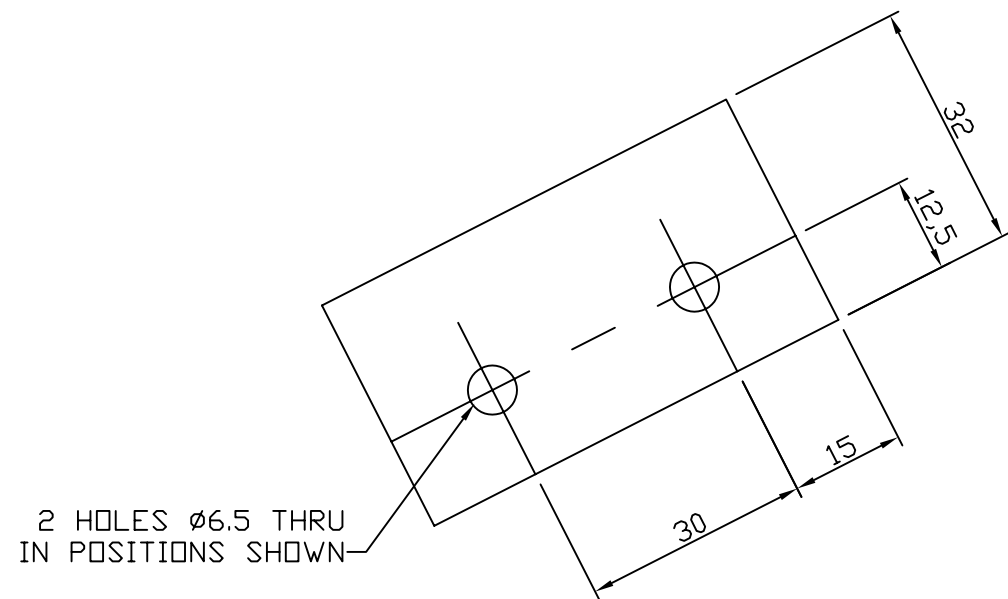
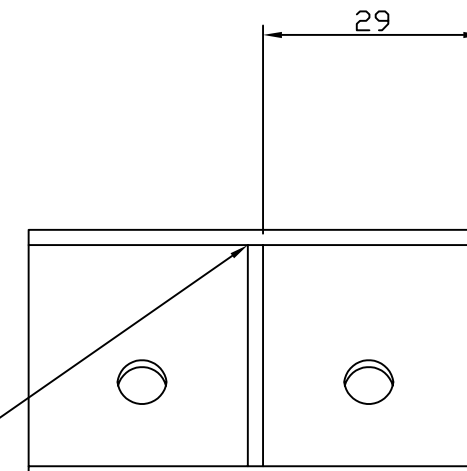
SCALE: 1:1  
MATERIAL: 14SWG MILD STEEL  
ALL RADII 5mm UNLESS OTHERWISE STATED



2 HOLES  $\phi 4.5$  THRU  
IN POSITIONS SHOWN



FILLET WELD BOTH SIDES  
ALL EDGES



2 HOLES  $\phi 6.5$  THRU  
IN POSITIONS SHOWN