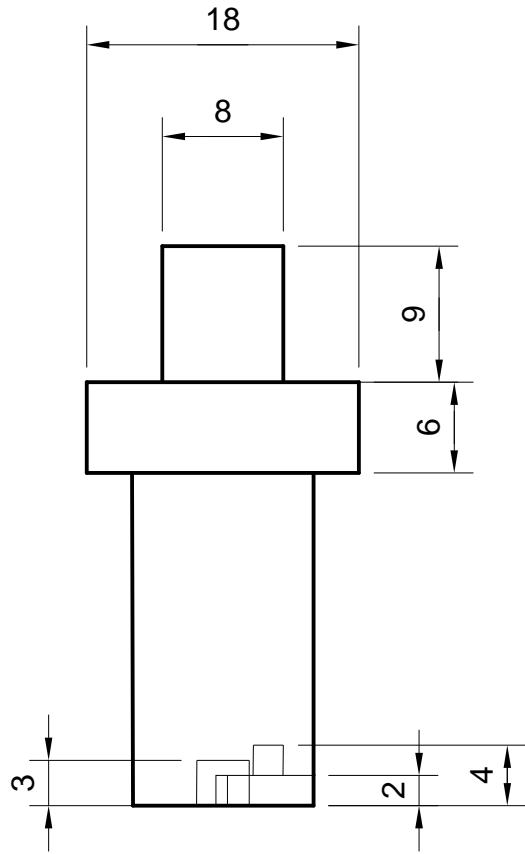
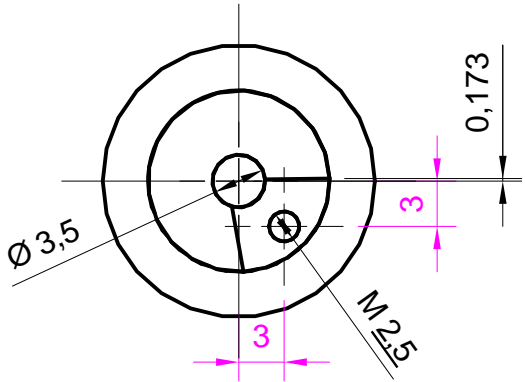


1	2	3	4
RevNr.	Revision note	Date	Sign



<i>E</i>	<b>A4</b>	General Tolerances acc to :		
	Scale	ISO 2768-1 medium	Drawn	
<b>Paradym</b> we design for you			LS	Dat. <b>19/08/2009</b>
			<b>Bitholder</b>	Sheet 1
			Rev.	
			Doc.Nr <b>06</b>	