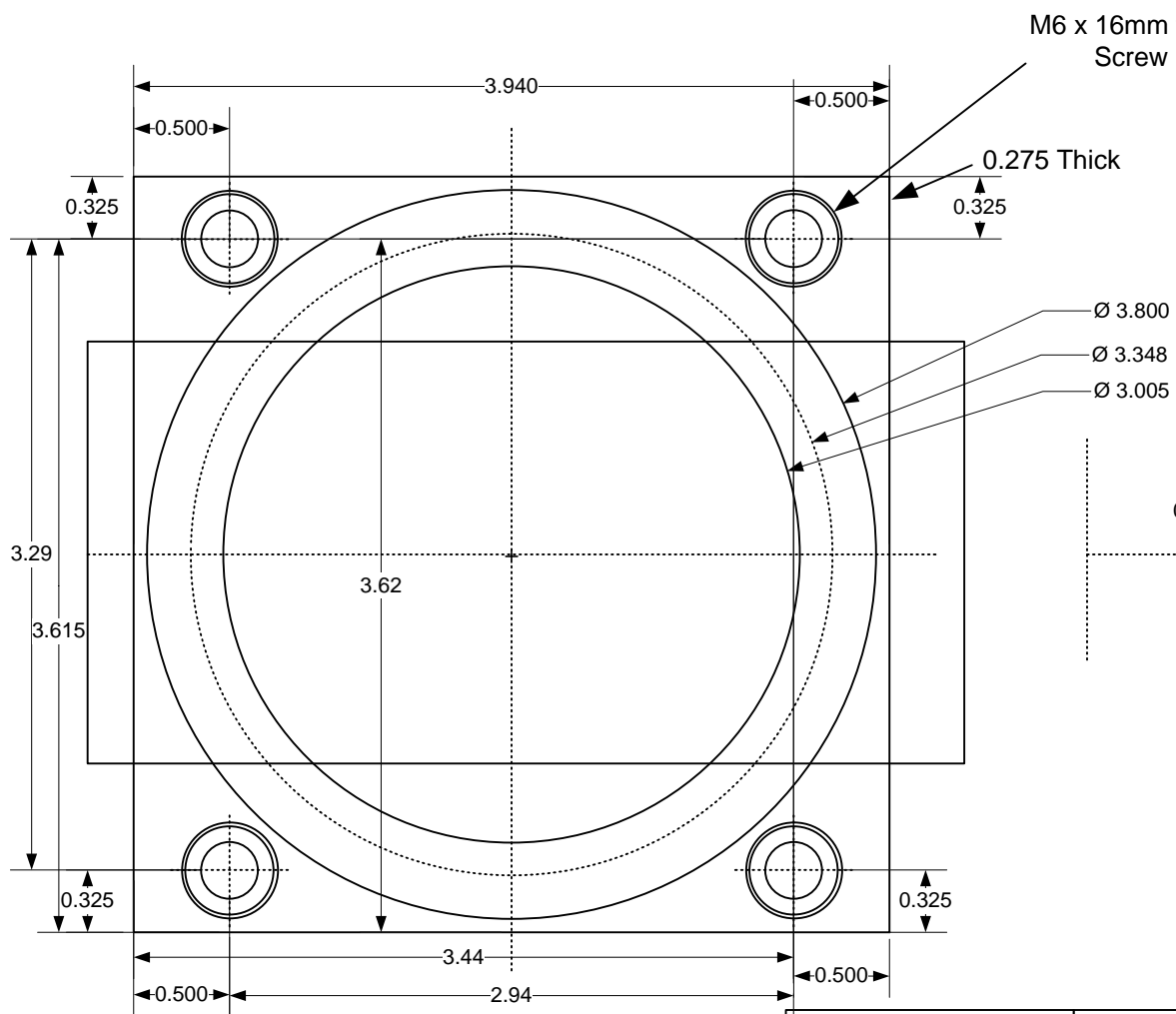
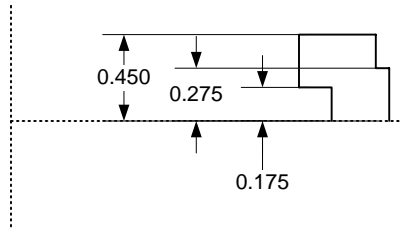


M6 x 12mm flat head socket screws
 Drill and countersink to match locations
 of actual holes



M6 x 16mm flat head socket screws
 Screw into t-bolts in slots



DRAWN BY	SCALE	TITLE
Charles B. Owen	1: 1	Compound Mount V1.2

