

ATLAS 210X/215X LIMITED EDITION

The Limited Edition special is being produced in celebration of the fifth anniversary of the Atlas 210X/215X transceiver. As the "Limited Edition" name implies, only 1000 of these models will be built.

The Operation and Maintenance manual you have received with your 210X or 215X Limited Edition transceiver is the same manual that is included with the standard 210X or 215X transceiver. Most information in this manual will pertain to the Limited Edition model. The additional features and changes of the Limited Edition are described in this addendum.

(1) R.I.T. (RECEIVER INCREMENTAL TUNING):

This feature permits independent tuning of the receive frequency while leaving the transmit frequency fixed. R.I.T. is particularly useful on CW and SSB when working stations who are listening up to 5 or 6 KHz off his transmitting frequency. Also when operating in a net when stations are not all on exactly the same frequency.

R.I.T. OPERATION: The R.I.T. control is located to the right of the dial window. The switch that activates it is to the right of the control. When the switch is ON, and the control is at 12 o'clock, your receive and transmit frequency are approximately the same. The degree of receiver frequency control varies some between bands. 80 meters will have the least amount of variation and 10 meters the most. REMEMBER to switch the R.I.T. to XCV position when you wish to transceive on exactly the same frequency.

(2) DIAL SET

The DIM switch has been removed and replaced with the dial set control. This control is for adjusting dial calibration to exact reading at a 100 KHz marking.

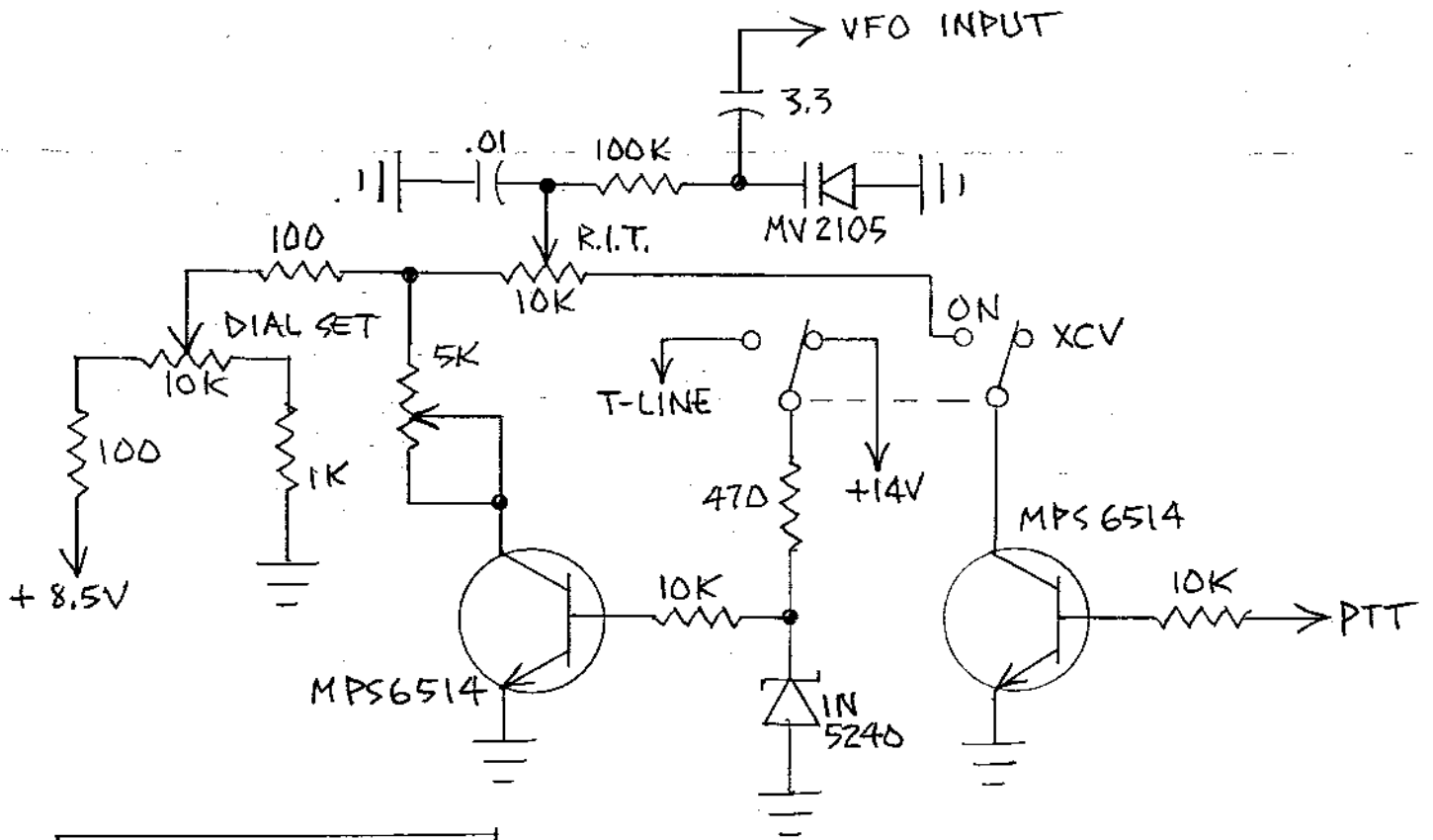
(3) 10 METER COVERAGE

The standard model 210X covered 28.4 to 29.4 MHz. The Limited Edition model has been changed to cover 28.0 to 29.0 MHz. This change allows for CW coverage of the 10 meter band. However, as in the standard 210X, the Limited Edition VFO can be adjusted to cover any 1 MHz segment of the 10 meter band.

The 0-500 KHz dial scale reads directly on the 7, 14, and 21 MHz bands and is additive on the 3.5 MHz band. The 28 MHz dial is calibrated in 20 KHz increments. However, by using the 5 KHz increments on the 0-500 KHz scale, it is possible to read down to 10 KHz on the 28.0 to 29.0 MHz scale.

(4) 250 WATT POWER RATING

The Limited Edition model is now rated at 250 watts P.E.P. input and CW input on 160, 80, 40, 20 and 15 meters. 10 meters is rated at 150 watts P.E.P. input and CW input. This power increase over the standard 210X/215X has been accomplished by changing the final amplifier circuit design.



**R.I.T. SCHEMATIC**