

Rx/Tx Offset

Later versions of the 210x and possibly other variants, have a small change in the AF PCB in the VFO/CIO switching.

There is a small trimmer capacitor fitted. This is an attempt to equalise the loading on the oscillators when they are switched between the mixers.

The small trimmer capacitor is normally fitted on the reverse of the PCB and can be knocked sometimes during pcb removal. This had resulted in having a broken joint on my unit.

The image below shows the trimmer on the schematic

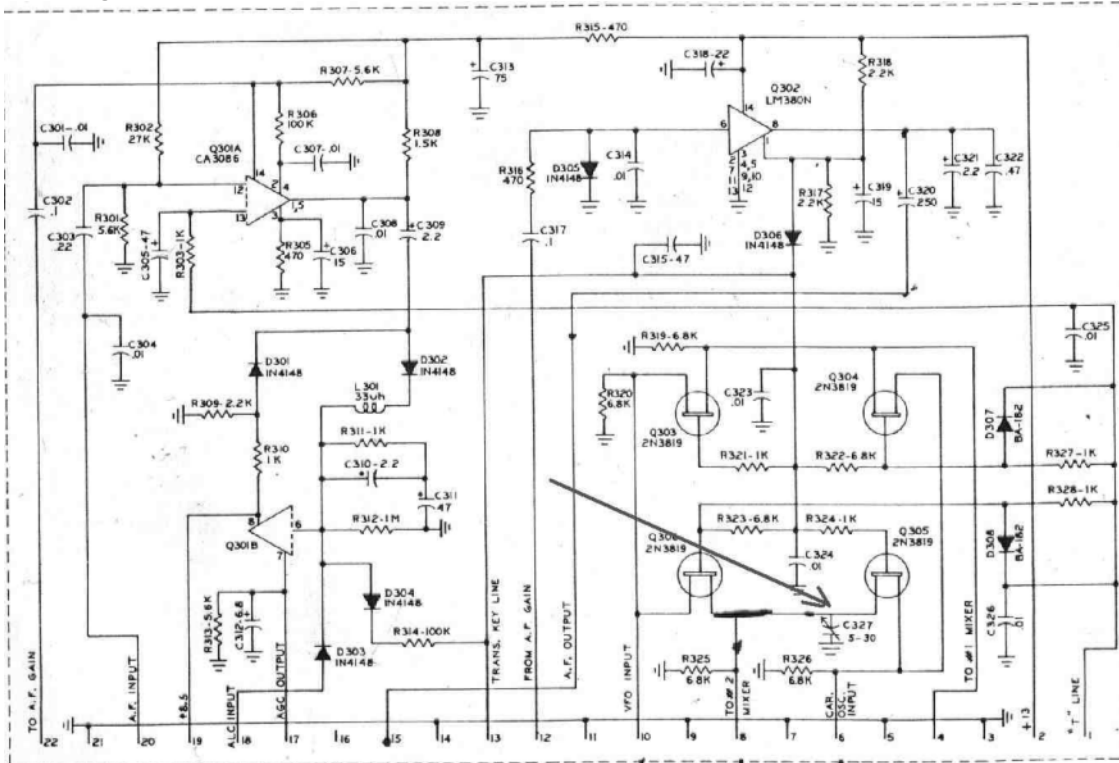


Figure 4-6. PC-300C Schematic Diagram