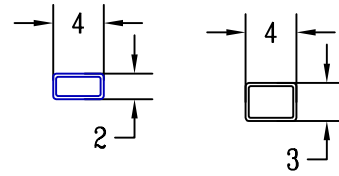
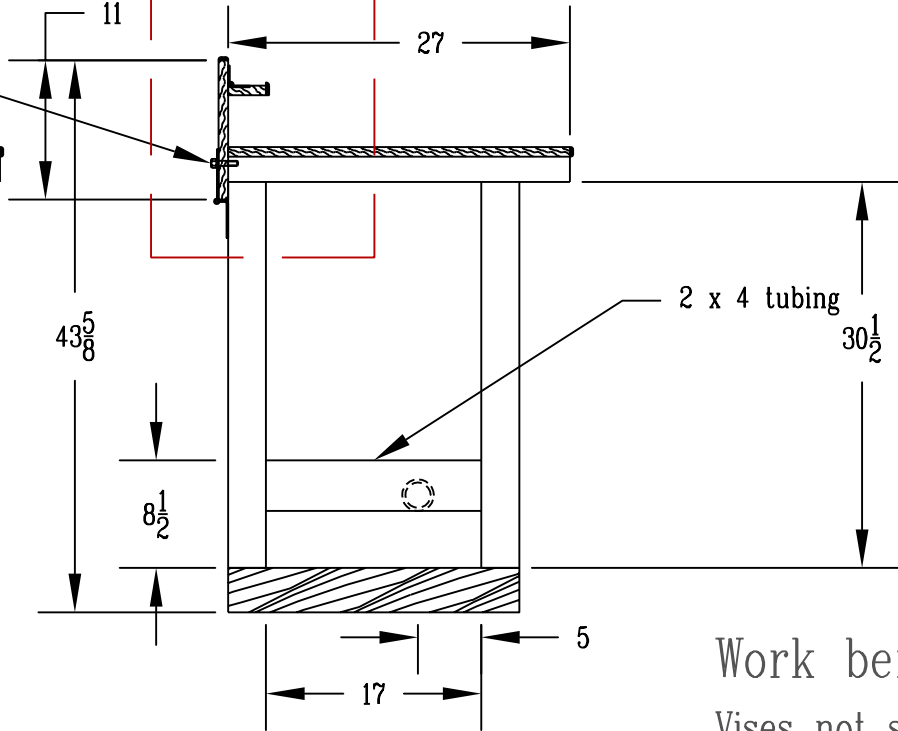
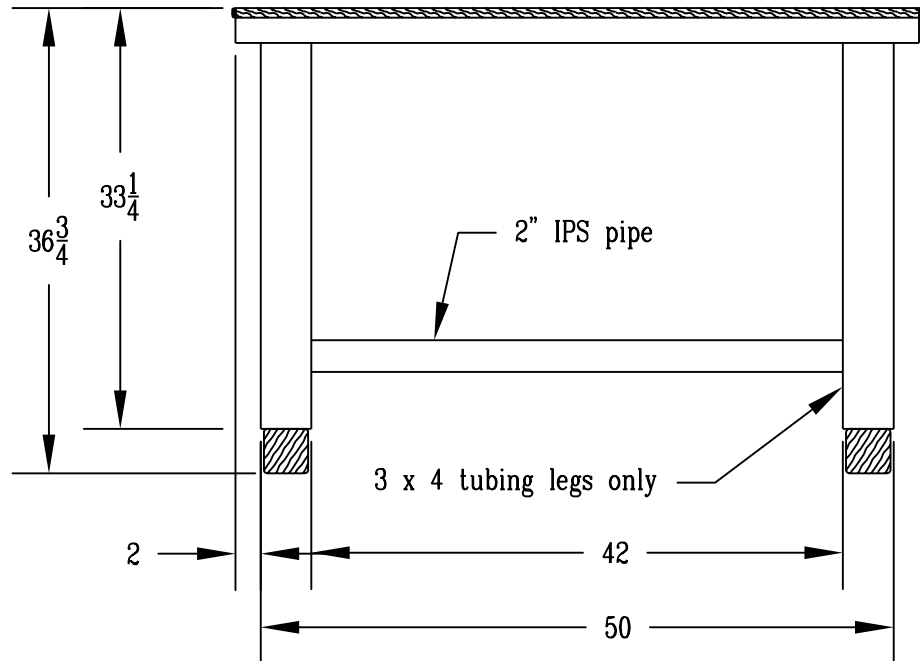
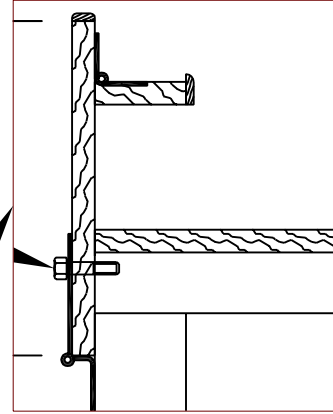


2 x 4 tubing
Drill holes for screw ever
12" OC as need for top



- LIST
1. 4 4 X 3 TUB X 30 1/2
 2. 2 4 X 2 TUB X 22
 3. 2 4 X 2 TUB X 27 BOTH END 45°
 4. 2 4 X 2 TUB X 54 BOTH END 45°
 5. 1 2" IS X 52
 6. PLY WOOD 27 X 54 X 3/4
 7. PLY WOOD 27 X 3 X 3/4
 8. PLY WOOD 27 X 11 X 3/4
 9. wood trim 1/4 x 3/4 x 16 ft.
 10. wood trim 1/4 x 1 x 54
 11. 2 wood Blocks 4(3 1/2) x 4(3 1/2) x 26 or casters
 12. 4 angle clips to hold 4 4 x4 to legs if need
 13. 2 hinges for 4" for barn door bend hinges as shown for ply wood
 14. 3 door hinges
 15. 2 bolts 3/8 N.C. x 1 1/2
 16. all other bolts and screw not listed



Work bench
Vises not show
David Smith Clovis CA