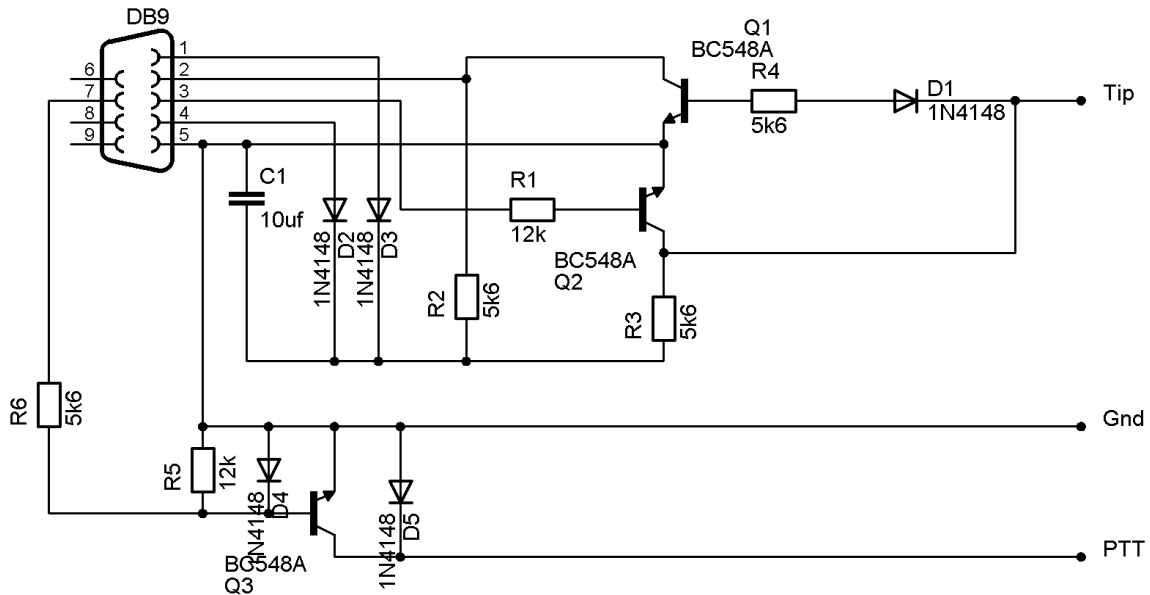


Icom CIV Interface



If you don't need the PTT function, leave out R6, R5, D4, Q3 and D5.

The resistors aren't critical, here's a picture of one I built with 10k in all resistor positions, and it's working fine. Nor are the transistor types critical, I prefer the plastic cases, then I glue them together on the flat sides and build the whole thing "dead bug" style with no board. As you can see from the photo, there is plenty of room inside a 9 pin case for it.

It works fine on Yaesu rigs with very little change.

