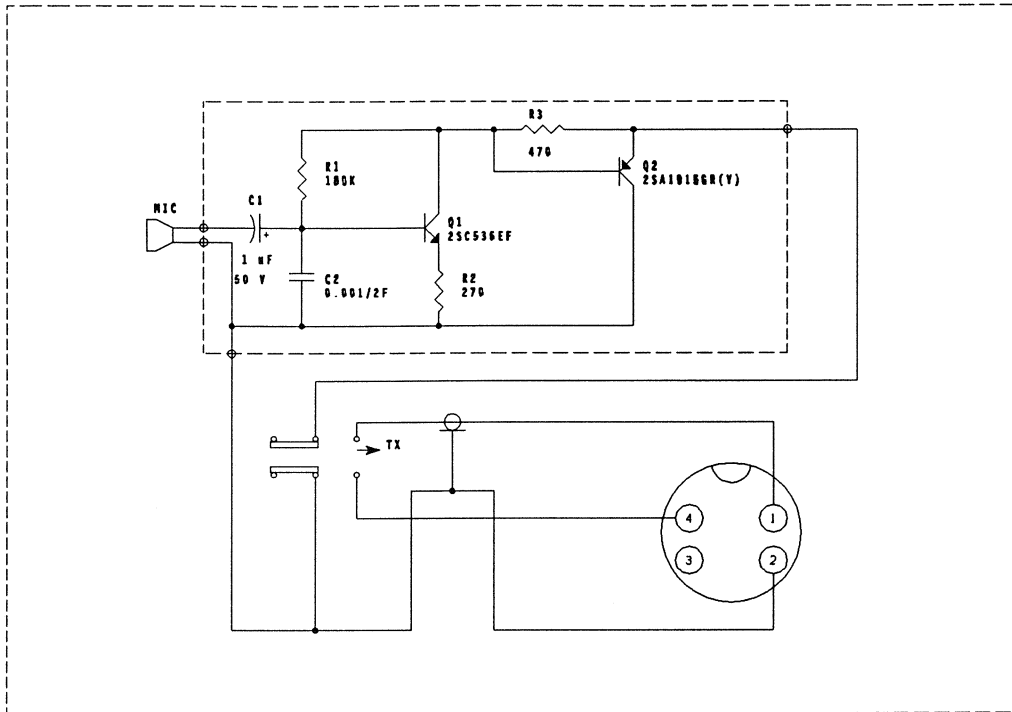


PARTS

70-1340/1440

70-2306 Microphone Schematic and Parts List



REF NO.	DESCRIPTION	PART NO.
Q1	2SC538EF	70-080026
Q2	2SA1015GR(Y)	70-080025
C1	10F, 50 WV, ELECTROLYTIC CAPACITOR	70-135002
C2	CERAMIC CAPACITOR (102)	70-132005
R1	RESISTOR, 170 kΩ, 1/4 W	70-141037
R2	RESISTOR, 270 Ω, 1/4 W	70-141010
R3	RESISTOR, 470 Ω, 1/4 W	70-141016
	ELEMENT, DYNAMIC	70-038004
	P/T SWITCH	70-183004
	P/T KNOB	70-118007
	PCB W COMP	70-075014
	PCB W/O COMP	70-070008
	CUSHION, P/T SWITCH	70-157015
	MIC CORD W/O CONT.	70-034074
	MIC CORD W CONT.	70-034075
	4 PIN MIC PLUG	70-159015
	RUBBER, MIC CASE REAR	70-157016
	SCREW, CASE	70-151076
	WEIGHT, BALLAST	70-151369

REPLACEMENT PARTS ORDERING

To speed delivery and avoid errors, always include the following information when ordering replacement parts:

1. Best identification of the parts.
 - A. MIDLAND part number, or
 - B. Model and Serial numbers of equipment in which the part is used, with
 - C. Part description, and
 - D. Schematic reference designator, and,
 - E. If necessary, return the old part as sample.
2. Specify quantity desired of each part.
3. Ship-to address (and billing address if different).

Mail or phone your order to:

MIDLAND INTERNATIONAL CORPORATION
1690 North Topping Avenue
Kansas City, Missouri 64120
(816) 241-8500





1690 NORTH TOPPING • KANSAS CITY • MISSOURI • 64120
(P.O. BOX 419903 • KANSAS CITY • MISSOURI • 64141)
TELEPHONE: (816) 241-8500 • FAX: (816) 245-1144