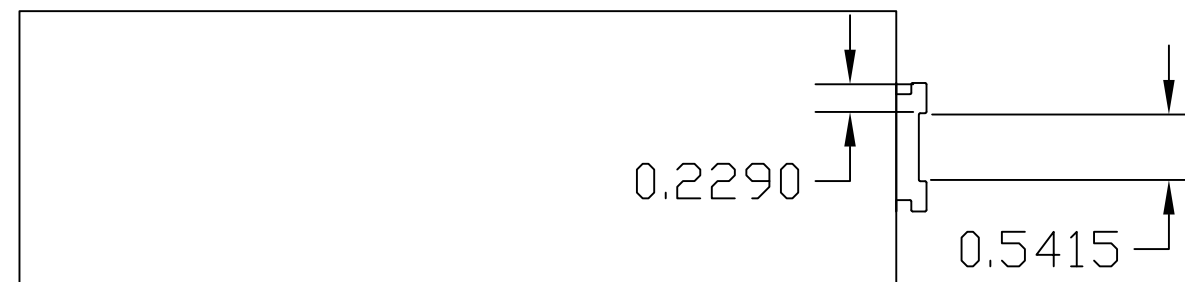
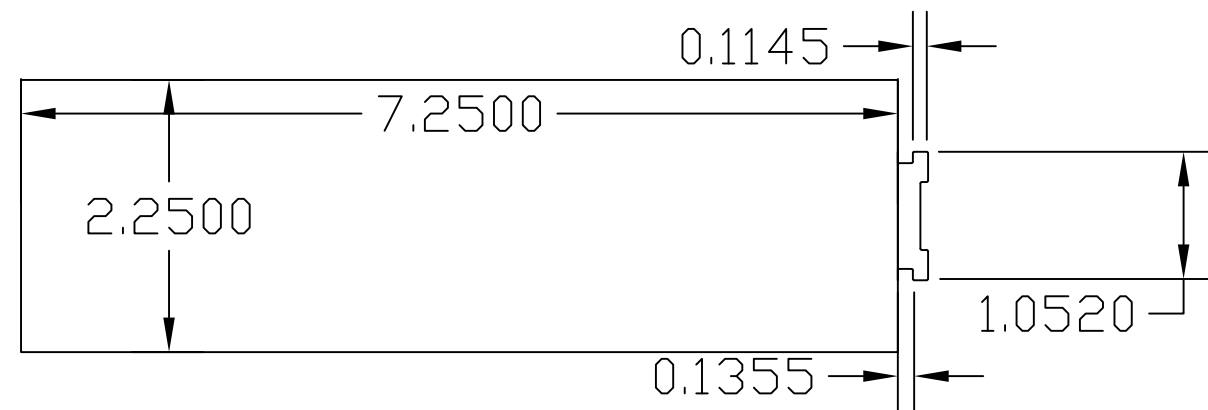
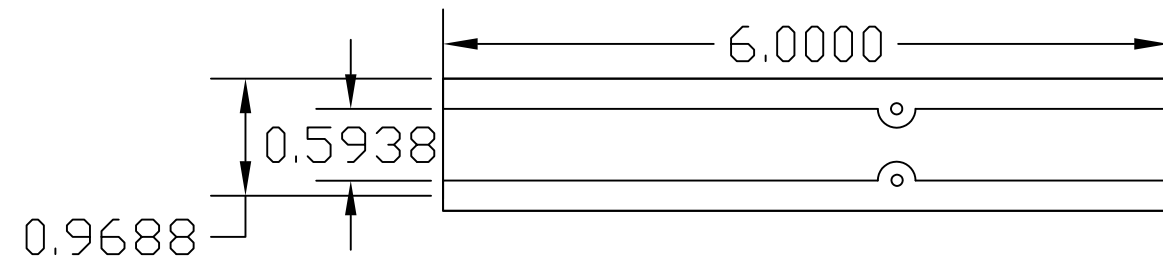


Midland Titan
70-1344B
Mounting Brackets

Radio Dimensions

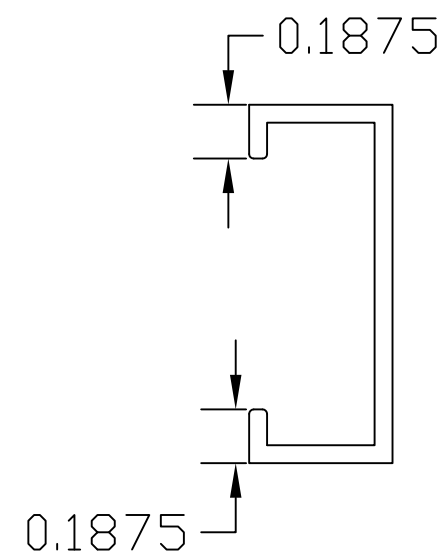
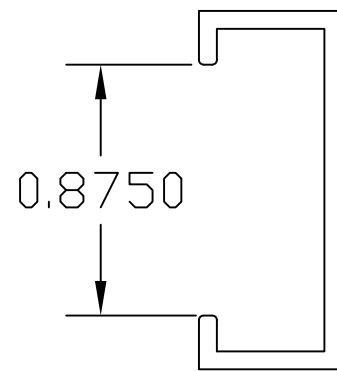
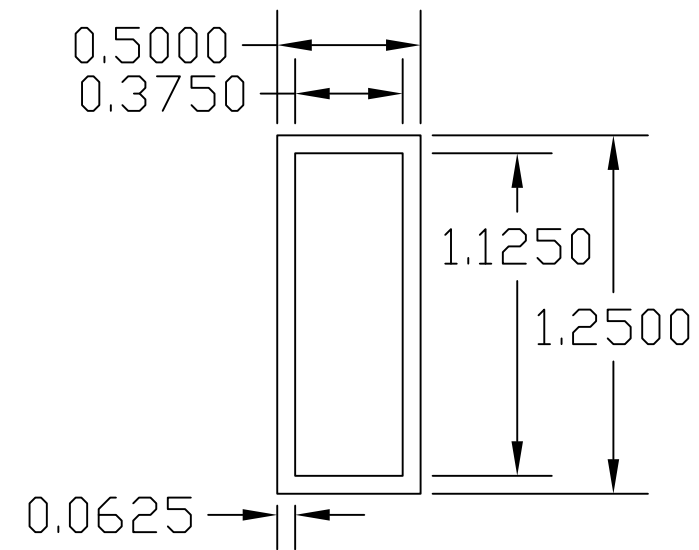


2016 Randy K
KI4EZU
Port Orchard, WA
USA

Midland Titan
70-1344B
Mounting
Brackets

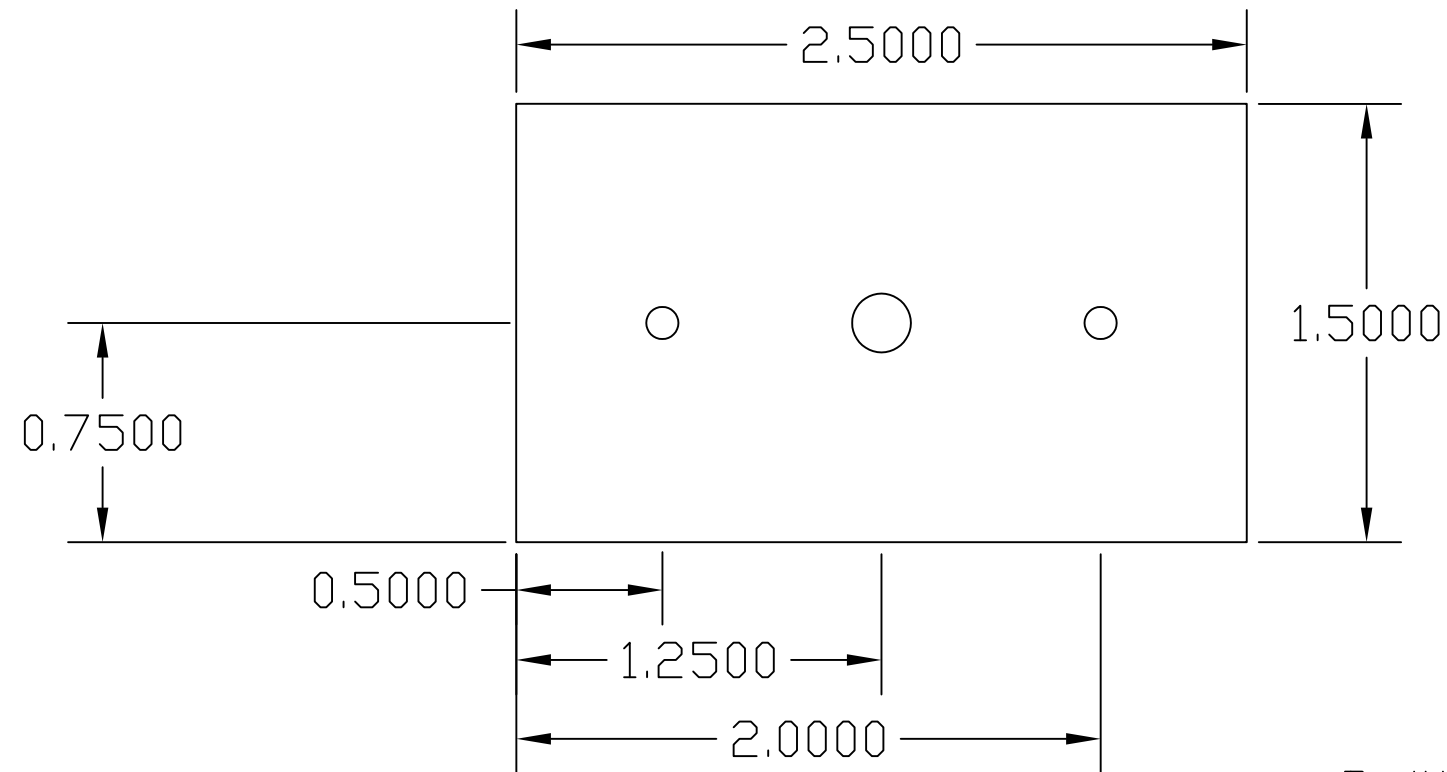
1 $\frac{1}{4}$ X $\frac{1}{2}$ inch steel Rectangle tube.

Cut 2 $\frac{1}{2}$ inch long. Cut one side out leaving $\frac{1}{8}$ th inch lip and file smooth.

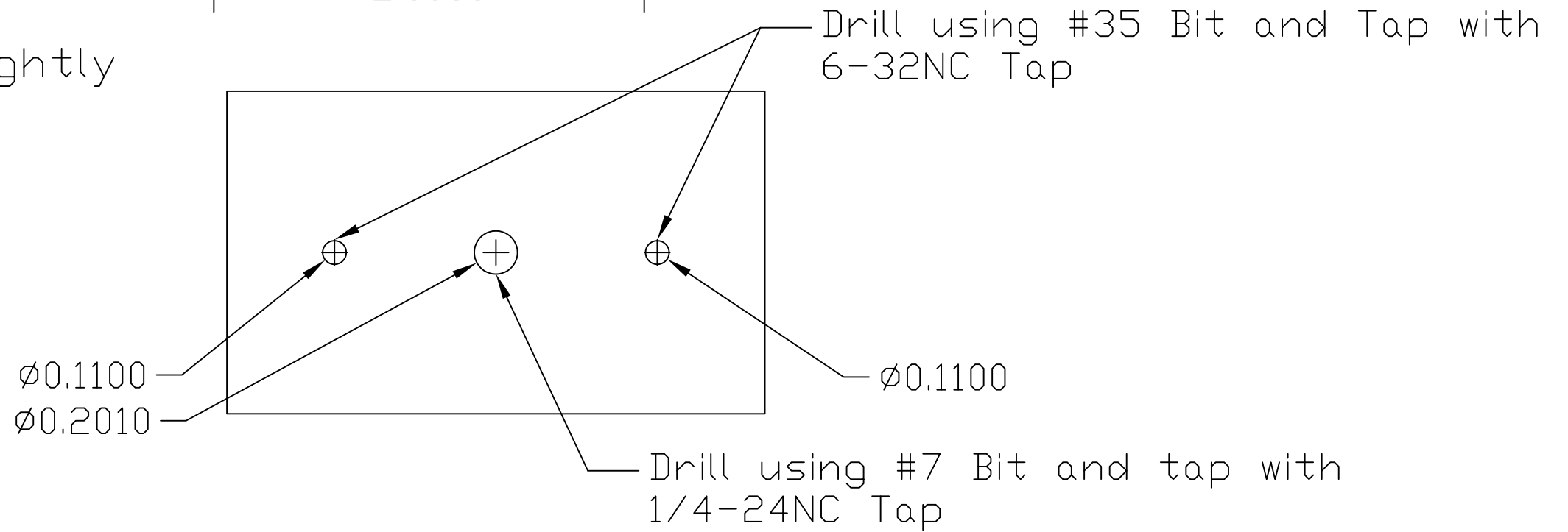


2016 Randy K
KI4EZU
Port Orchard, WA
USA

Midland Titan
70-1344B
Mounting Brackets



After you tap it Lightly
sand the steel and
spray paint your
desired color.



2016 Randy K
KI4EZU
Port Orchard, WA
USA