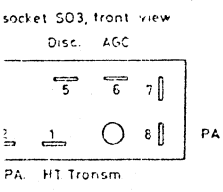
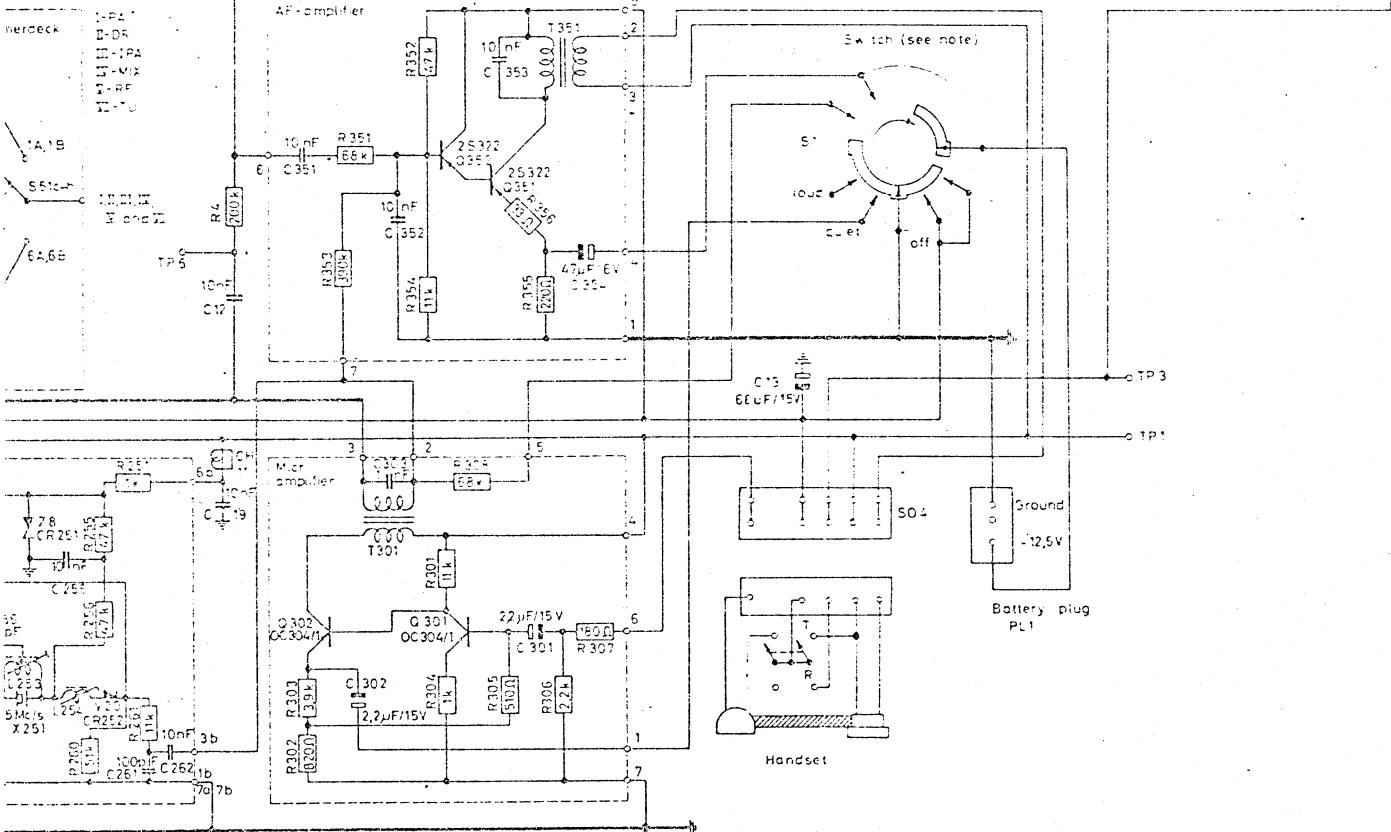
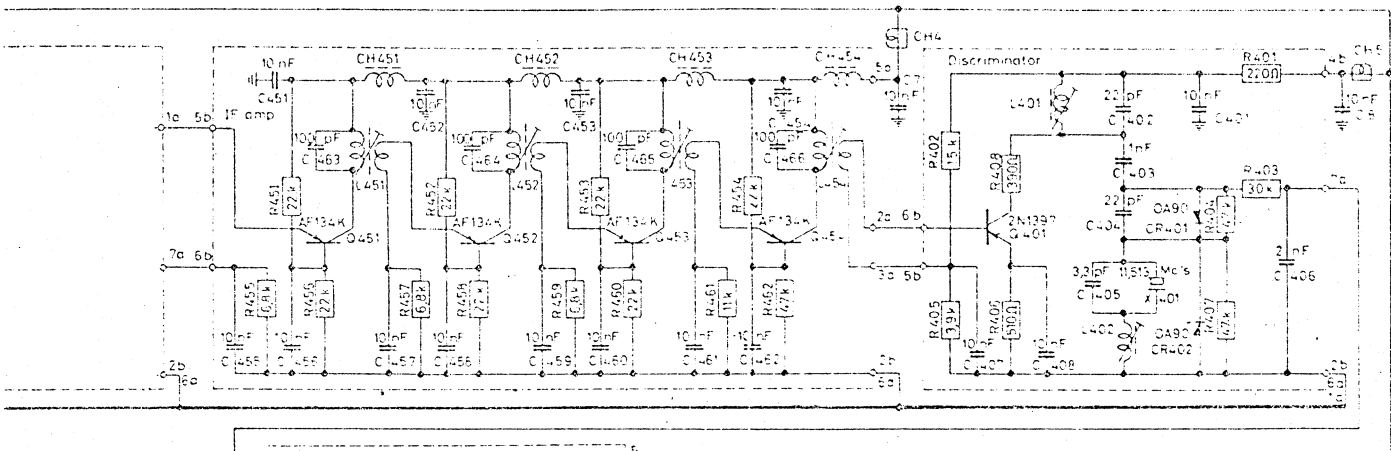


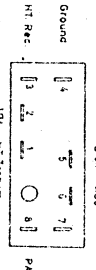
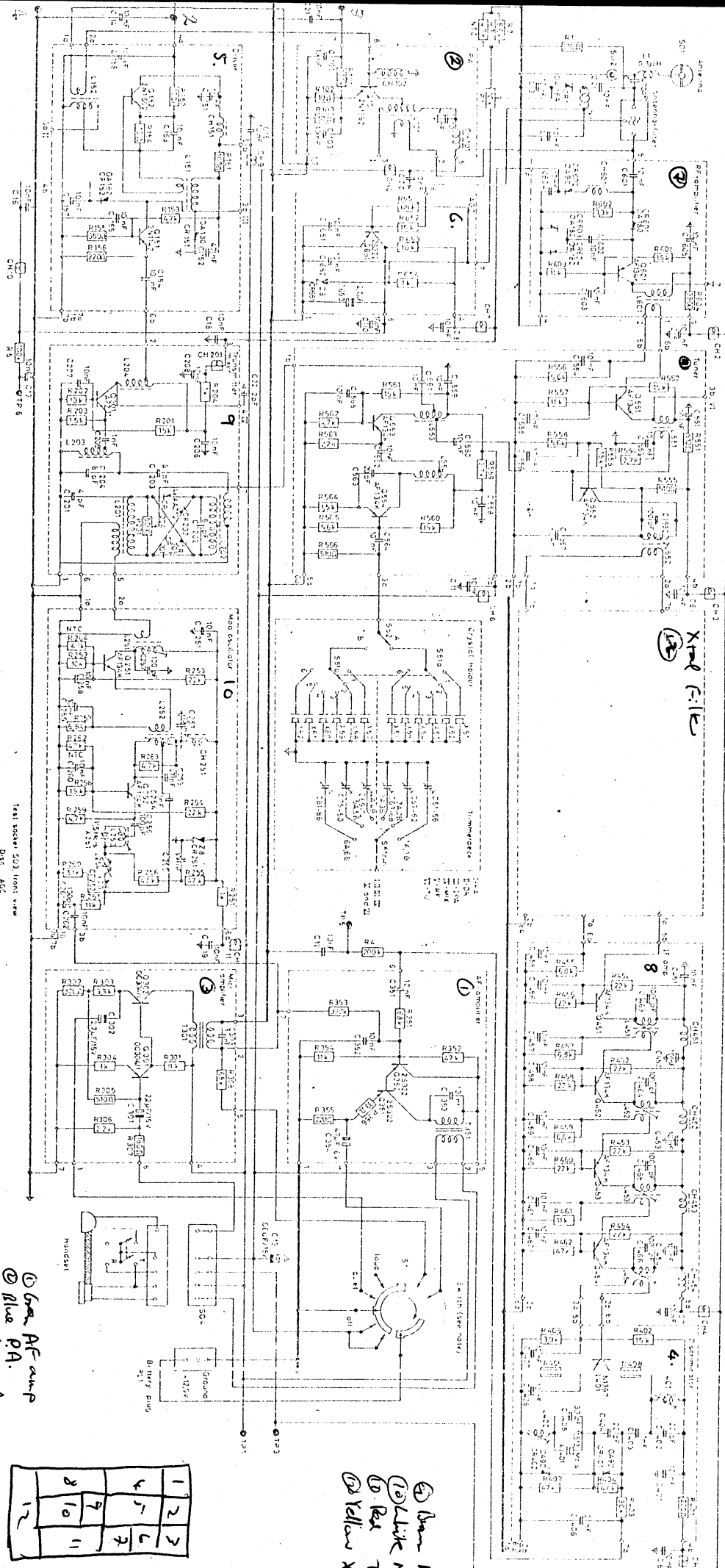
Ground 4
 HT. Rec 3



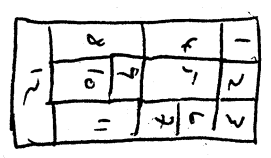
Note: The switch is shown in position OFF.

DA/PRC 261

Top Bottom (B)
 5004
 6002
 7001



- ① Green AF amp
- ② Blue PA.
- ③ Gray MIC. Amp
- ④ Grid Key Discriminator DA/PRC 261
- ⑤ Blue AF amp
- ⑥ Purple AF amp
- ⑦ Black RF amp
- ⑧ Orange IF amp



- ⑩ Brown Mic.
- ⑪ White Mod-osc
- ⑫ Red Tuner
- ⑬ Yellow Xtal File