

BASIS ON EHER TELLS H 433  
 PART 2 FIG. 2507

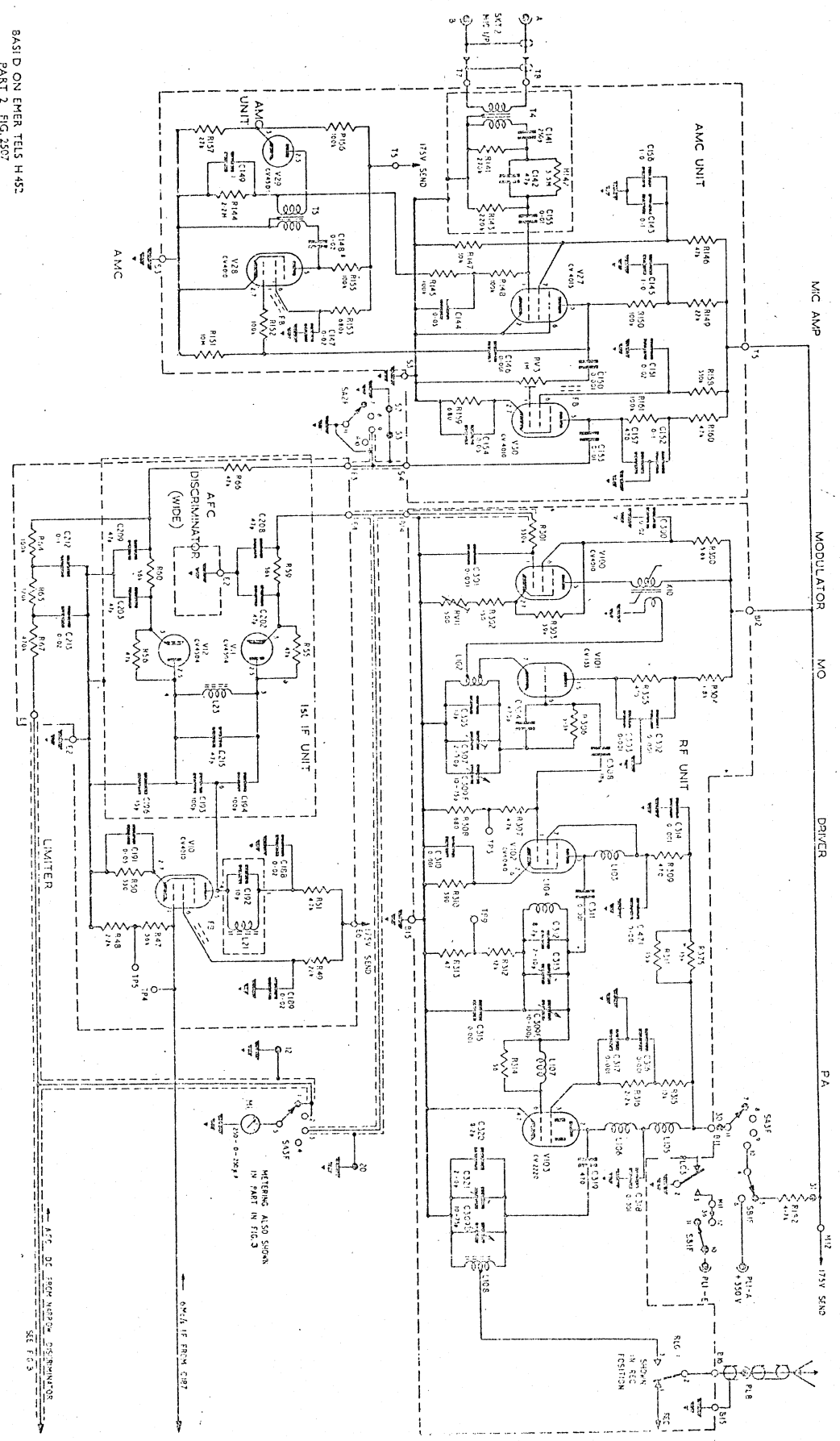


FIG. 1 TRANSMITTER

RESTRICTED

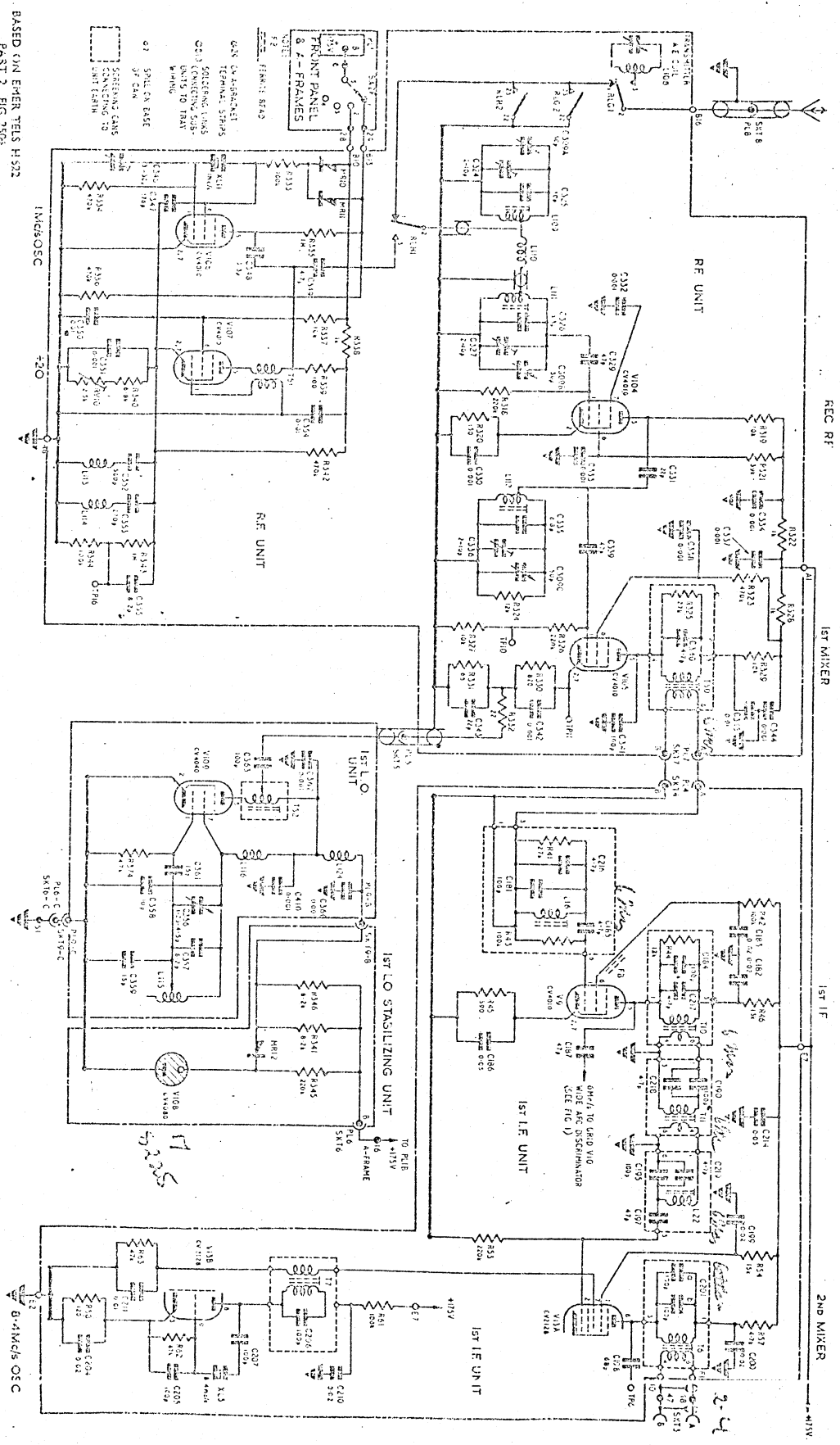


Fig. 2 RECEIVER

RESTRICTED

BASED ON EMER TELS H522  
PART 2 FIG. 2503

E.S. 3897

RESTRICTED

BASED ON  
PANT