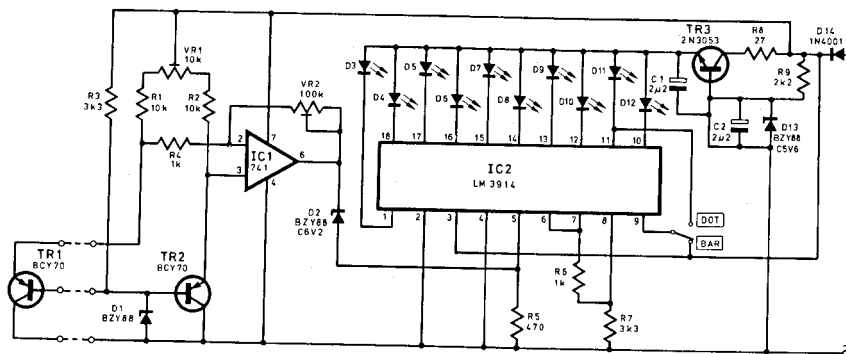


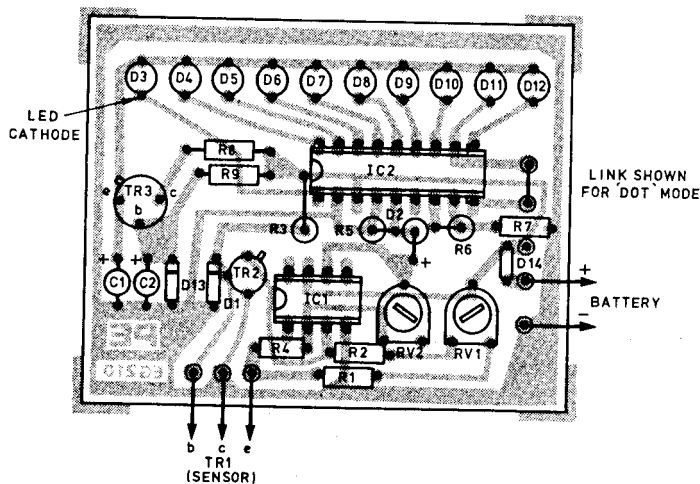
LED ENGINE TEMPERATURE GAUGE

This instrument overcomes the accuracy limitations of conventional temperature gauges and provides a linear response over a range of typically 0° to 100°C. In addition, the response time is faster than with conventional gauges, and the displayed temperature range is adjustable, thus permitting the user to select a range of indication to suit his particular needs.

Circuit Diagram



Component Layout



SOURCE: P.E., DEC 1979: Page 51.